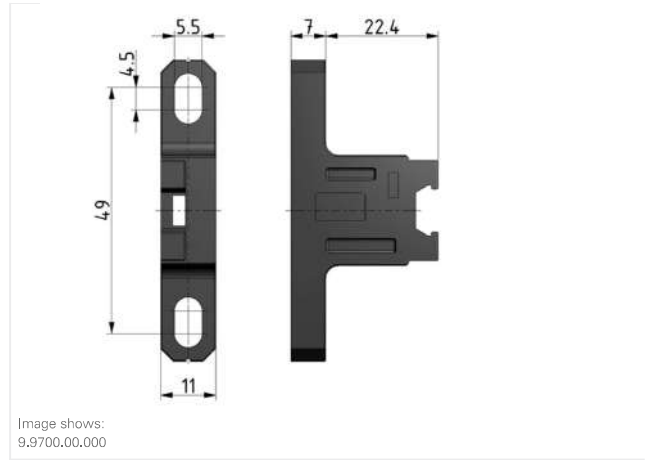


Mounting kit | BGO



technical data

- **description:** fixing bracket
- **material:** PA 66
- **fixing:** mounting with 2 screws

accessories

type	part-number	description	price (pre-tax)
ZV.00-1	9.9700.00.000	Mounting bracket (2x console with sliding wedge)	4.25 €

- Service 3 unit
- Service 2 unit
- Filter regulator
- Filter
- Pressure regulator
- Lubricator
- System extensions
- Accessories**
- Special products

Bracket kit | BG1

Service 3 unit

Service 2 unit

Filter regulator

Filter

Pressure regulator

Lubricator

System extensions

Accessories

Special products



Image shows:
9.9711.00.001

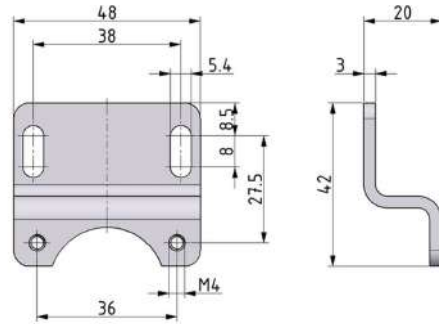


Image shows:
9.9711.00.001

technical data

- **description:** Mounting bracket
- **material:** steel galvanized
- **fixing:** mounting with 2 screws

accessories

type	part-number	description	price (pre-tax)
ZW.11-1	9.9711.00.001	Mounting bracket (ZW.11+2x screw M4x50 DIN912)	4.02 €



Bracket kit | BG2



Image shows:
9.9722.00.001

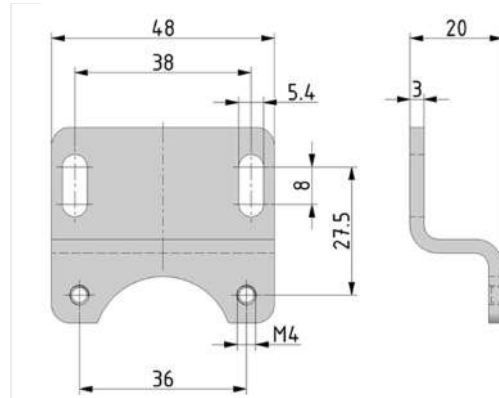


Image shows:
9.9722.00.001

Service 3 unit

Service 2 unit

Filter regulator

Filter

Pressure regulator

Lubricator

System extensions

Accessories

Special products

technical data

- **description:** Mounting bracket
- **material:** steel galvanized
- **fixing:** mounting with 2 screws

accessories

type	part-number	description	price (pre-tax)
ZW.22-1	9.9722.00.001	Mounting bracket (ZW.11+2x screw M4x60 DIN912) discontinued december 2013	4.74 €

Bracket kit | BG3

Service 3 unit

Service 2 unit

Filter regulator

Filter

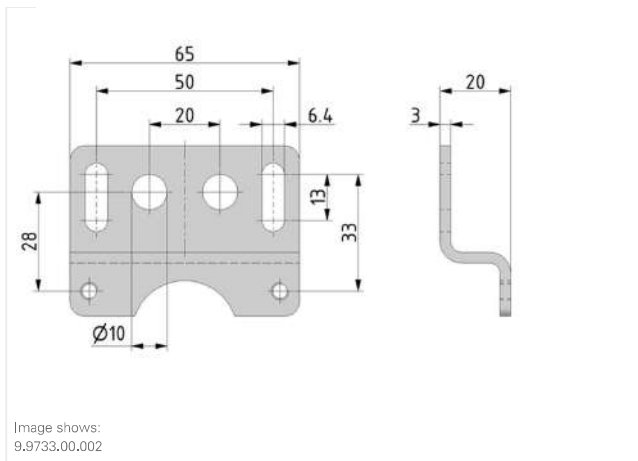
Pressure regulator

Lubricator

System extensions

Accessories

Special products



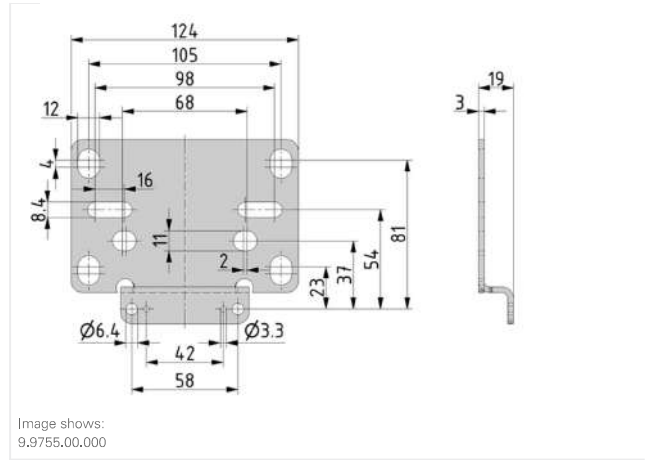
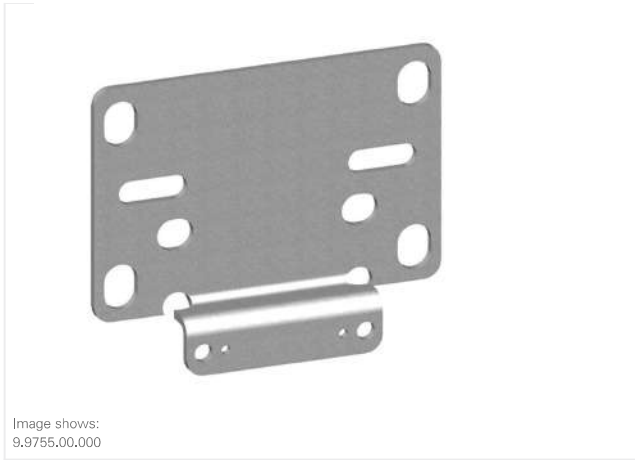
technical data

- **description:** Mounting bracket
- **material:** steel galvanized
- **fixing:** mounting with 2 screws

accessories

type	part-number	description	price (pre-tax)
ZW.33-1	9.9733.00.002	Mounting bracket (ZW.33+2x screw M5x75 DIN912)	5.74 €

Bracket kit | BG5



technical data

- **description:** Mounting bracket
- **material:** steel galvanized
- **fixing:** mounting with 2 screws

accessories

type	part-number	description	price (pre-tax)
ZW.55	9.9755.00.000	Mounting bracket (ZW.55+2x screw M6x12 DIN912)	15.66 €

- Service 3 unit
- Service 2 unit
- Filter regulator
- Filter
- Pressure regulator
- Lubricator
- System extensions
- Accessories**
- Special products

Bracket kit | ZFL.55

Service 3 unit

Service 2 unit

Filter regulator

Filter

Pressure regulator

Lubricator

System extensions

Accessories

Special products

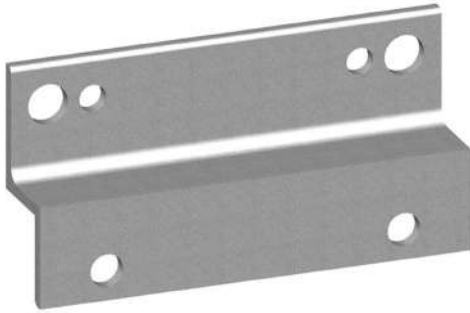


Image shows:
9.9755.00.002

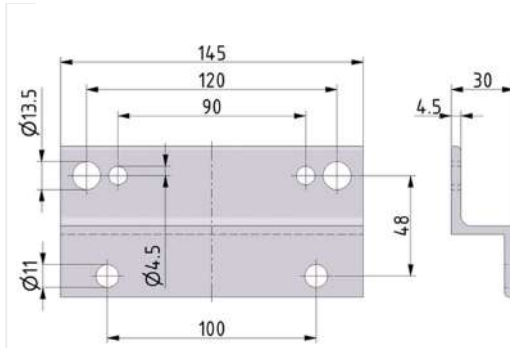


Image shows:
9.9755.00.002

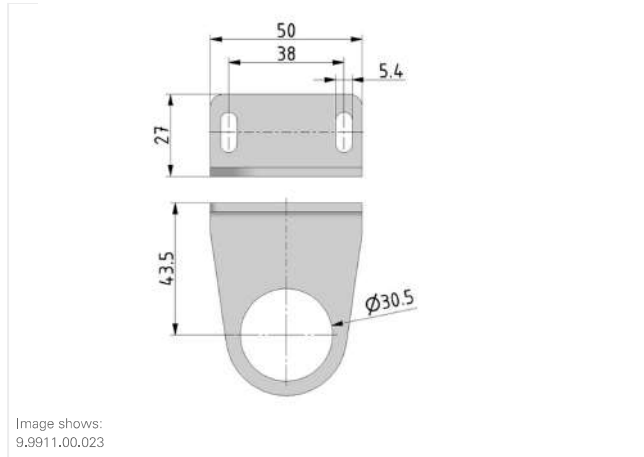
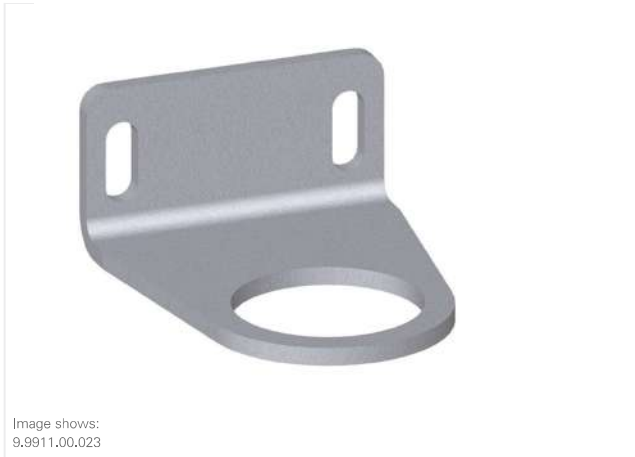
technical data

- **description:** Mounting bracket
- **material:** steel galvanized
- **fixing:** mounting with 2 screws

accessories

type	part-number	description	price (pre-tax)
ZFL.55-22	9.9755.00.002	Mounting bracket (ZFL.55-22+4x screw M10x25 DIN933+4x10 ISO7090)	20.33 €

Mounting bracket for panel mounting | BG0, BG1



technical data

- **description:** Mounting bracket for panel mounting
- **material:** steel galvanized
- **fixing:** control panel nut and 2 screws for fixation to wall

accessories

type	part-number	description	price (pre-tax)
MW.30/DR.00-34-2	9.9911.00.023	Bracket galvanized and nut M30x1,5	5.30 €

Service 3 unit

Service 2 unit

Filter regulator

Filter

Pressure regulator

Lubricator

System extensions

Accessories

Special products

Mounting bracket for panel mounting | BG3

Service 3 unit

Service 2 unit

Filter regulator

Filter

Pressure regulator

Lubricator

System extensions

Accessories

Special products



Image shows:
9.9933.00.024

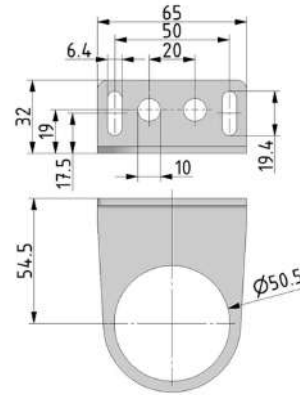


Image shows:
9.9933.00.024

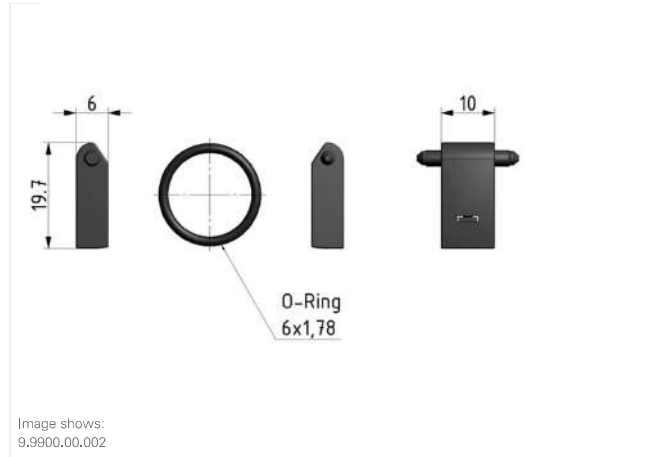
technical data

- **description:** Mounting bracket for panel mounting
- **material:** steel galvanized
- **fixing:** control panel nut and 2 screws for fixation to wall

accessories

type	part-number	description	price (pre-tax)
MW.50/C.33-42	9.9933.00.024	Bracket galvanized and nut M50x1.5	5.90 €

Coupling kit | BG0



Service 3 unit

Service 2 unit

Filter regulator

Filter

Pressure regulator

Lubricator

System extensions

Accessories

Special products

technical data

- **description:** Coupling kit
- **fixing:** for components to be connected in Multi-Fix series 0
- **material clamp:** PA
- **material o-ring:** NBR

accessories

type	part-number	description	price (pre-tax)
KP.00	9.9900.00.002	Coupling kit BG0 (2x clamp C.00-47; 1x o-ring 15,6x1,78 C.11-92)	0.88 €

Coupling kit | BG1

Service 3 unit

Service 2 unit

Filter regulator

Filter

Pressure regulator

Lubricator

System extensions

Accessories

Special products



Image shows:
9.9911.00.000

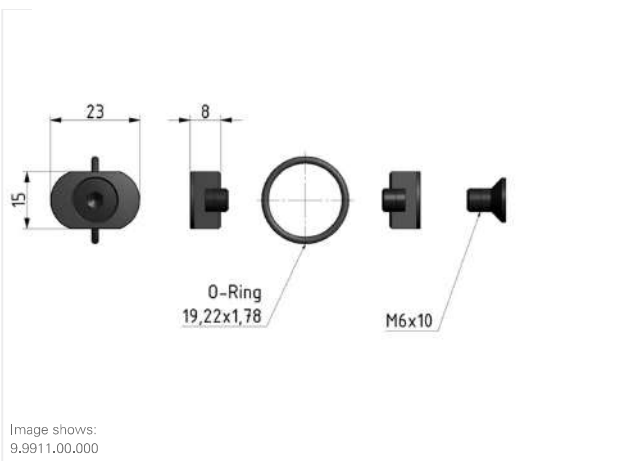


Image shows:
9.9911.00.000

technical data

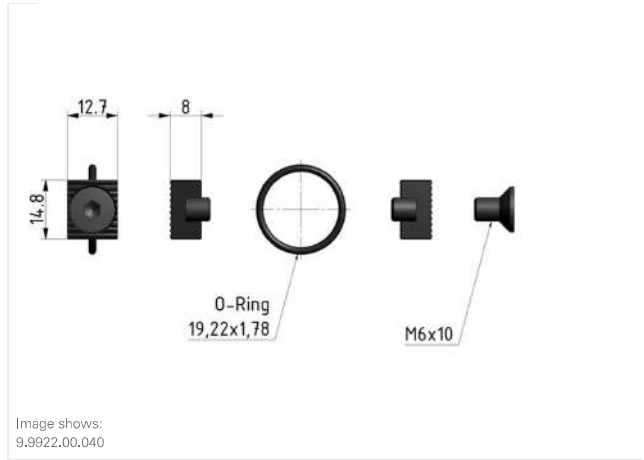
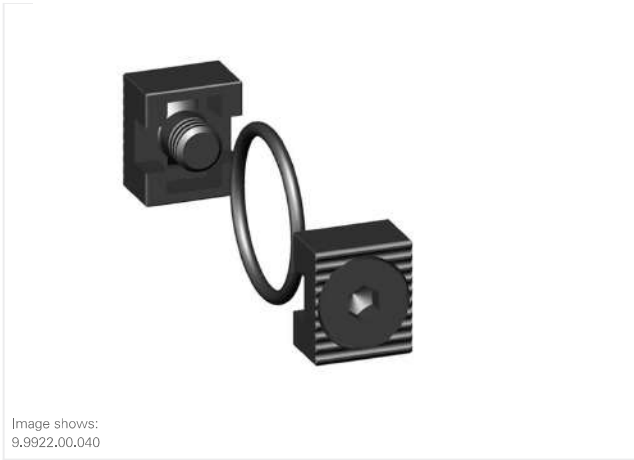
- **description:** Coupling kit
- **fixing:** for components to be connected in Multi-Fix series 1
- **material clamp:** Z 410
- **material screws:** steel
- **material o-ring:** NBR
- **except:** distribution manifold block (narrow) Z.11

accessories

type	part-number	description	price (pre-tax)
KP.11	9.9911.00.000	Coupling kit BG1	2.27 €



Coupling kit | BG2



Service 3 unit

Service 2 unit

Filter regulator

Filter

Pressure regulator

Lubricator

System extensions

Accessories

Special products

technical data

- **description:** Coupling kit
- **fixing:** for components to be connected in Multi-Fix series 2
- **material clamp:** Z 410
- **material screws:** steel
- **material o-ring:** NBR

accessories

type	part-number	description	price (pre-tax)
KP.22	9.9922.00.040	Coupling kit BG2 (2x clamp BC.11-5; 2x screw C.11-46; 1x o-ring 19,22x1,78 C.11-53) discontinued december 2013	2.27 €

Coupling kit | BG3

Service 3 unit

Service 2 unit

Filter regulator

Filter

Pressure regulator

Lubricator

System extensions

Accessories

Special products



Image shows:
9.9933.00.000

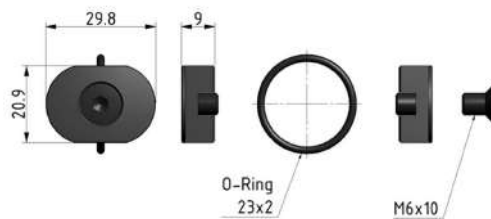


Image shows:
9.9933.00.000

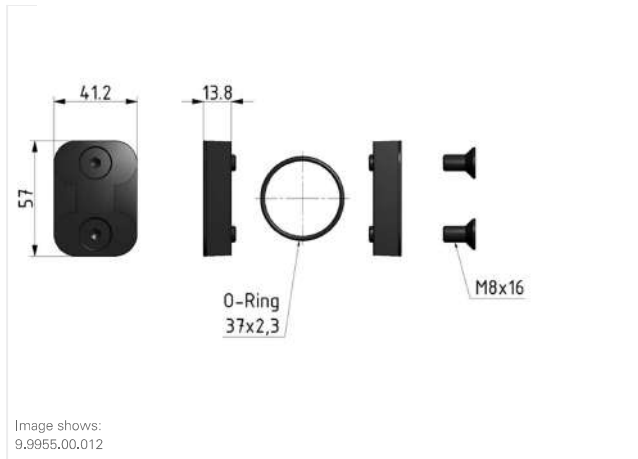
technical data

- **description:** Coupling kit
- **fixing:** for components to be connected in Multi-Fix series 3
- **material clamp:** Z 410
- **material screws:** steel
- **material o-ring:** NBR
- **except:** distribution manifold block (narrow) Z.33

accessories

type	part-number	description	price (pre-tax)
KP.33	9.9933.00.000	Coupling kit BG3 (2x clamp C.33-47; 2x screw C.11-46; 1x o-ring 23x2 C.33-53; 1x o-ring 29,87x1,78 K.33-3)	2.37 €

Coupling kit | BG5



Service 3 unit

Service 2 unit

Filter regulator

Filter

Pressure regulator

Lubricator

System extensions

Accessories

Special products

technical data

- **description:** Coupling kit
- **fixing:** for components to be connected in Multi-Fix series 5
- **material clamp:** Z 410
- **material screws:** steel
- **material o-ring:** NBR
- **except:** distribution manifold block (narrow) Z.55, ball valve K.55

accessories

type	part-number	description	price (pre-tax)
KP.55	9.9955.00.012	Coupling kit BG5 (2x clamp C.55-47; 4x screw C.55-46; 1x o-ring 37x2,3 C.55-52)	6.01 €

Coupling kit | BG1

Service 3 unit

Service 2 unit

Filter regulator

Filter

Pressure regulator

Lubricator

System extensions

Accessories

Special products



Image shows:
9.9911.00.013

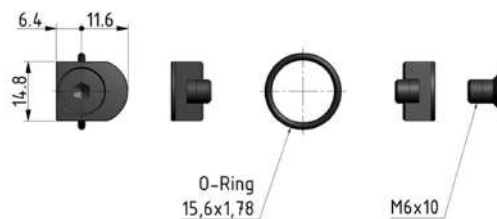


Image shows:
9.9911.00.013

technical data

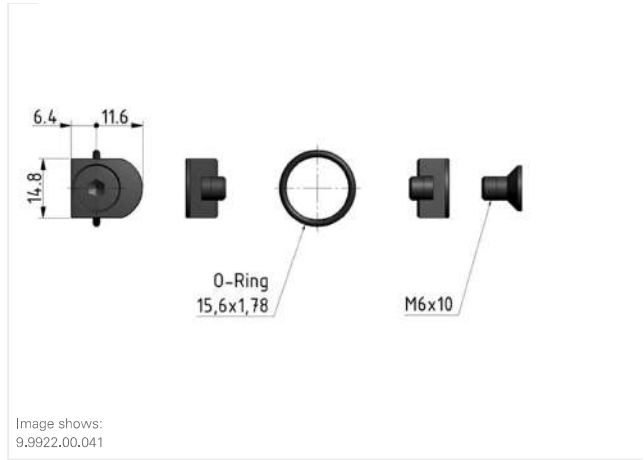
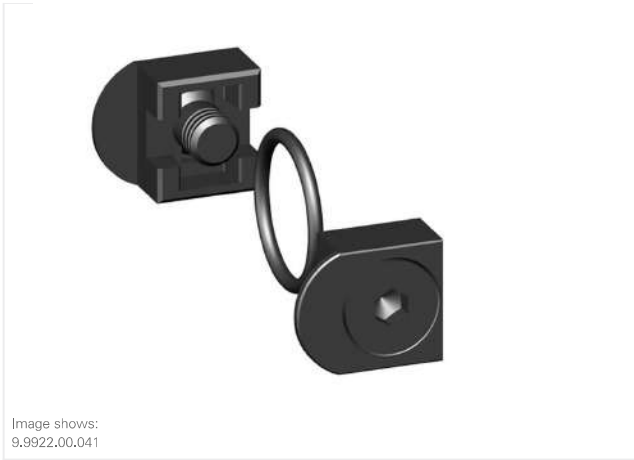
- **description:** Coupling kit
- **fixing:** for distributor Z.11 to be connected with components of Multi-Fix series 1
- **material clamp:** Z 410
- **material screws:** steel
- **material o-ring:** NBR

accessories

type	part-number	description	price (pre-tax)
KP.11 Z	9.9911.00.013	Coupling kit for distributore BG1 (2x clamp C.11-59; 2x screw C.11-46; 1x o-ring 15,6x1,78 C.11-92)	2.27 €



Coupling kit | BG2



Service 3 unit

Service 2 unit

Filter regulator

Filter

Pressure regulator

Lubricator

System extensions

Accessories

Special products

technical data

- **description:** Coupling kit
- **material clamp:** Z 410
- **material screws:** steel
- **material o-ring:** NBR

accessories

type	part-number	description	price (pre-tax)
KP.22/12	9.9922.00.041	Coupling kit for BG2 against BG1 with port size G3/8 (2x clamp C.11-59; 2x screw C.11-46; 1x o-ring 19,22x1,78 C.11-53) discontinued december 2013	2.27 €

Coupling kit | BG3

Service 3 unit

Service 2 unit

Filter regulator

Filter

Pressure regulator

Lubricator

System extensions

Accessories

Special products



Image shows:
9.9933.00.018

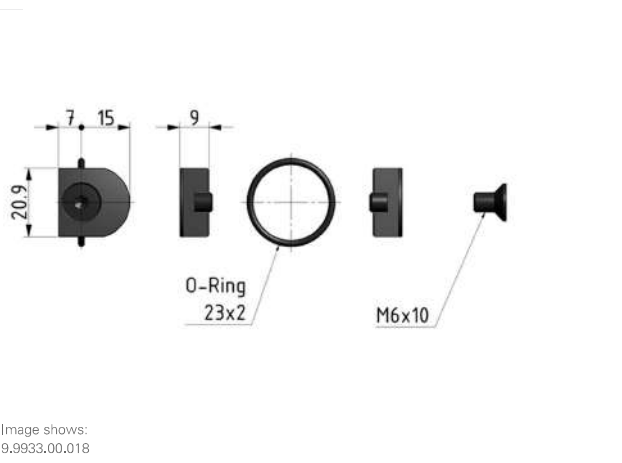


Image shows:
9.9933.00.018

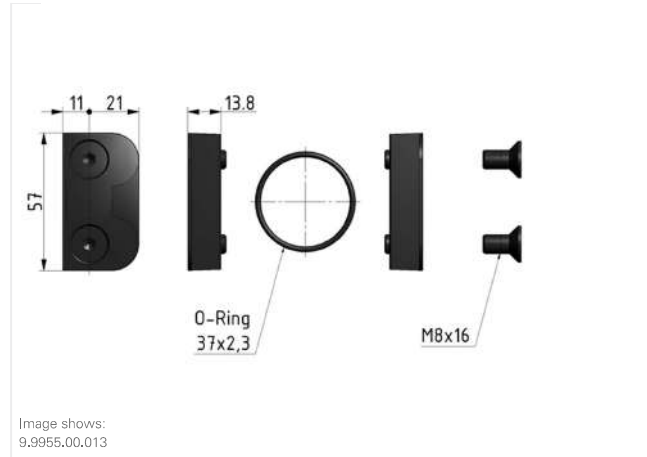
technical data

- **description:** Coupling kit
- **fixing:** for distributor Z.33 to be connected with components of Multi-Fix series 3
- **material clamp:** Z 410
- **material screws:** steel
- **material o-ring:** NBR

accessories

type	part-number	description	price (pre-tax)
KP.33 Z	9.9933.00.018	Coupling kit for distributore BG3 (2x clamp C.33-59; 2x screw C.11-46; 1x o-ring 23x2 C.33-53)	2.37 €

Coupling kit | BG5



Service 3 unit

Service 2 unit

Filter regulator

Filter

Pressure regulator

Lubricator

System extensions

Accessories

Special products

technical data

- **description:** Coupling kit
- **fixing:** for distributor Z.55 or ball valve K.55 to be connected with components of Multi-Fix series 5
- **material clamp:** Z 410
- **material screws:** steel
- **material o-ring:** NBR

accessories

type	part-number	description	price (pre-tax)
KP.55 Z	9.9955.00.013	Coupling kit for distributore BG5 (2x clamp C.55-59; 4x screw C.55-46; 1x o-ring 37x2 DF.11-8)	6.01 €

Coupling kit | BG5

- Service 3 unit
- Service 2 unit
- Filter regulator
- Filter
- Pressure regulator
- Lubricator
- System extensions
- Accessories**
- Special products



Image shows:
9.9955.00.014

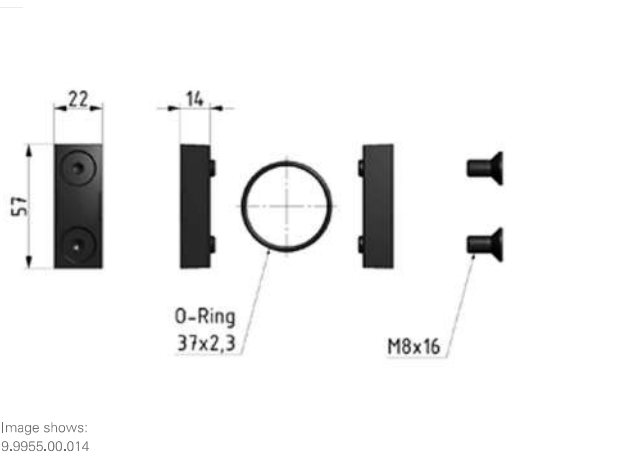


Image shows:
9.9955.00.014

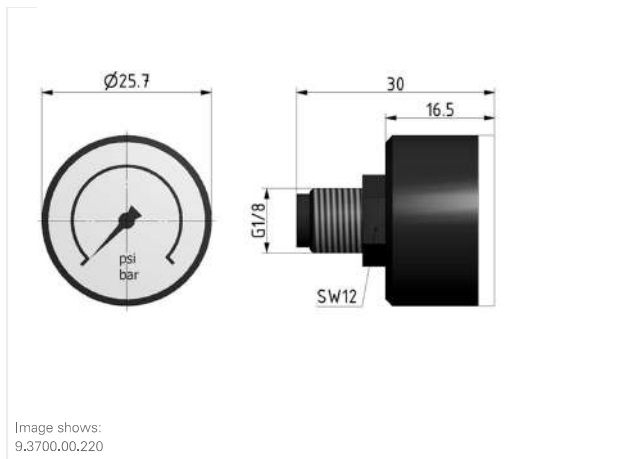
technical data

- **description:** Coupling kit
- **fixing:** for distributor Z.55 or ball valve K.55 to be connected with connection plate AP.55 of Multi-Fix series 5
- **material clamp:** Z 410
- **material screws:** steel
- **material o-ring:** NBR

accessories

type	part-number	description	price (pre-tax)
KP.55 2Z	9.9955.00.014	Coupling kit for distributore BG5 (double side) (2x clamp C.55-47; 4x screw C.55-46; 1x o-ring 37x2 DF.11-8)	6.01 €

Gauge for setting knob integration | BGO



technical data

- **description:** bourdon tube pressure gauge (EN 837-1), pressure connection on the back
- **temperature range:** 0 - 60°C
- **diameter:** ø25
- **scale ranges (EN 837-1):** 0 - 10 bar
- **accuracy:** ±4 %
- **case:** black plastic
- **window:** snap fit window of clear plastic
- **working pressure, steady:** 0 - 7,5 bar
- **working pressure, fluctuating:** 0 - 6,5 bar
- **temperature effect:** when temperature of the pressure element deviates from reference temperature (+20°C): max. ±0,4%/10°C of the span

accessories

type	part-number	description	price (pre-tax)
G 25.6/10 R	9.3700.00.220	Gauge G1/8 dm 25mm	10.25 €
G 25.1,5/2,5 R	9.3700.00.221	Gauge G1/8 dm 25mm	10.25 €
G 25.2,5/4 R	9.3700.00.222	Gauge G1/8 dm 25mm	10.25 €
G 25.3/6 R	9.3700.00.224	Gauge G1/8 dm 25mm	10.25 €
G 25.10/16 R	9.3700.00.228	Gauge G1/8 dm 25mm	10.25 €

- Service 3 unit
- Service 2 unit
- Filter regulator
- Filter
- Pressure regulator
- Lubricator
- System extensions
- Accessories**
- Special products

Gauge | BGO

Service 3 unit

Service 2 unit

Filter regulator

Filter

Pressure regulator

Lubricator

System extensions

Accessories

Special products



Image shows:
9.3700.00.012

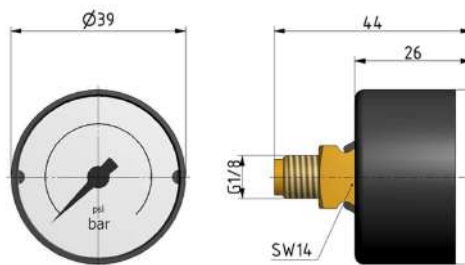


Image shows:
9.3700.00.012

technical data

- **description:** bourdon tube pressure gauge (EN 837-1), pressure connection on the back
- **temperature range:** 0 - 60°C
- **diameter:** ø40
- **scale ranges (EN 837-1):** 0 - 16 bar
- **accuracy class:** 2,5 (EN 837-1 /6)
- **case:** black plastic
- **window:** snap fit window of clear plastic
- **working pressure, steady:** 0 - 12 bar
- **working pressure, fluctuating:** 0 - 10,5 bar
- **temperature effect:** when temperature of the pressure element deviates from reference temperature (+20°C): max. ±0,4%/10°C of the span

accessories

type	part-number	description	price (pre-tax)
G 40.16 R	9.3700.00.012	Gauge G1/8 Knocks instrument dial light grey	9.21 €
G 40.10 R	9.3700.00.013	Gauge G1/8 Knocks instrument dial light grey	9.21 €
G 40.6 R	9.3700.00.014	Gauge G1/8 Knocks instrument dial light grey	9.21 €
G 40.4 R	9.3700.00.015	Gauge G1/8 Knocks instrument dial light grey	9.21 €

Gauge | BG1, BG2, BG3



Image shows:
9.3700.00.110

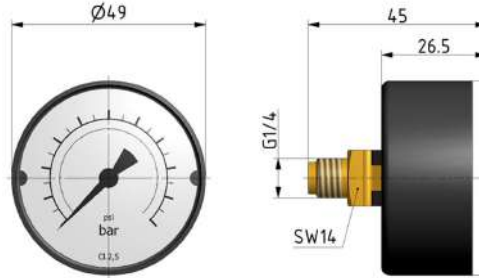


Image shows:
9.3700.00.110

technical data

- **description:** bourdon tube pressure gauge (EN 837-1), pressure connection on the back
- **temperature range:** 0 - 50°C
- **diameter:** ø50
- **scale ranges (EN 837-1):** 0 - 16 bar
- **accuracy class:** 2,5 (EN 837-1 /6)
- **case:** black plastic
- **window:** snap fit window of clear plastic
- **working pressure, steady:** 0 - 12 bar
- **working pressure, fluctuating:** 0 - 10,5 bar
- **temperature effect:** when temperature of the pressure element deviates from reference temperature (+20°C): max. ±0,4%/10°C of the span

accessories

type	part-number	description	price (pre-tax)
G 50.16 R	9.3700.00.110	Gauge G1/4 Knocks instrument dial light grey	9.21 €
G 50.10 R	9.3700.00.111	Gauge G1/4 Knocks instrument dial light grey	9.21 €
G 50.6 R	9.3700.00.112	Gauge G1/4 Knocks instrument dial light grey	9.21 €
G 50.25 R	9.3700.00.113	Gauge G1/4 Knocks instrument dial light grey	9.21 €
G 50.2,5 R	9.3700.00.114	Gauge G1/4 Knocks instrument dial light grey	9.21 €
G 50.4 R	9.3700.00.116	Gauge G1/4 Knocks instrument dial light grey	9.21 €

Service 3 unit

Service 2 unit

Filter regulator

Filter

Pressure regulator

Lubricator

System extensions

Accessories

Special products

Gauge | BG5

- Service 3 unit
- Service 2 unit
- Filter regulator
- Filter
- Pressure regulator
- Lubricator
- System extensions
- Accessories**
- Special products



Image shows:
9.3700.00.243

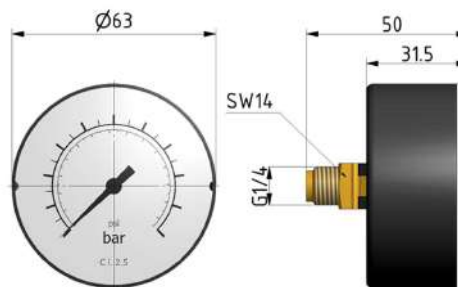


Image shows:
9.3700.00.243

technical data

- **description:** bourdon tube pressure gauge (EN 837-1), pressure connection on the back
- **temperature range:** 0 - 50°C
- **diameter:** ø63
- **scale ranges (EN 837-1):** 0 - 16 bar
- **accuracy class:** 2,5 (EN 837-1 /6)
- **case:** black plastic
- **window:** snap fit window of clear plastic
- **working pressure, steady:** 0 - 12 bar
- **working pressure, fluctuating:** 0 - 10,5 bar
- **temperature effect:** when temperature of the pressure element deviates from reference temperature (+20°C): max. ±0,4%/10°C of the span

accessories

type	part-number	description	price (pre-tax)
G 63.16 R	9.3700.00.243	Gauge G1/4 Knocks instrument dial light grey	10.07 €
G 63.25 R	9.3700.00.244	Gauge G1/4 Knocks instrument dial light grey	10.07 €
G 63.6 R	9.3700.00.245	Gauge G1/4 Knocks instrument dial light grey	10.07 €
G 63.10 R	9.3700.00.246	Gauge G1/4 Knocks instrument dial light grey	10.07 €

Bowl | BG0



Image shows:
9.9900.00.038

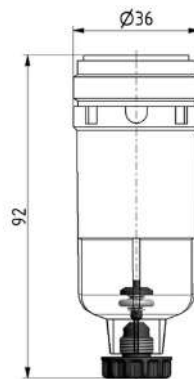


Image shows:
9.9900.00.038

technical data

- supply pressure P1 min.: 1,5 bar
- supply pressure P1 max.: 12 bar
- temperature range: 0 - 50°C
- bowl: PC
- drain: HA
- fixing: screw thread

accessories

type	part-number	description	price (pre-tax)
C.00 HA4	9.9900.00.038	PC bowl with semi automatic drain and o-ring 30x2	9.32 €

Service 3 unit

Service 2 unit

Filter regulator

Filter

Pressure regulator

Lubricator

System extensions

Accessories

Special products

Bowl | BGO

Service 3 unit

Service 2 unit

Filter regulator

Filter

Pressure regulator

Lubricator

System extensions

Accessories

Special products



Image shows:
8.2100.96.001.2



Image shows:
8.2100.96.001.2

technical data

- supply pressure P1 min.: 1,5 bar
- supply pressure P1 max.: 12 bar
- temperature range: 0 - 50°C
- bowl: metal bowl
- drain: HA
- fixing: screw thread

accessories

type	part-number	description	price (pre-tax)
C.00 M HA4	8.2100.96.001.2	Metal bowl with semi automatic drain and o-ring 30x2	17.69 €

Bowl | BGO



Image shows:
9.9900.00.019



Image shows:
9.9900.00.019

technical data

- supply pressure P1 min.: 1,5 bar
- supply pressure P1 max.: 12 bar
- temperature range: 0 - 50°C
- bowl: metal bowl
- drain: AM NO
- fixing: screw thread

accessories

type	part-number	description	price (pre-tax)
C.00 M AM10	9.9900.00.019	Metal bowl with automatic drain and o-ring 30x2	54.09 €
C.00 M AM10/NC	9.9900.00.052	Metal bowl with automatic drain (usually closed) and o-ring 30x2	65.11 €

Service 3 unit

Service 2 unit

Filter regulator

Filter

Pressure regulator

Lubricator

System extensions

Accessories

Special products

Bowl | BG0, BG1

Service 3 unit

Service 2 unit

Filter regulator

Filter

Pressure regulator

Lubricator

System extensions

Accessories

Special products



Image shows:
8.2111.84.002



Image shows:
8.2111.84.002

technical data

- supply pressure P1 min.: 1,5 bar
- supply pressure P1 max.: 12 bar
- temperature range: 0 - 50°C
- bowl: PC
- drain: AM NO
- fixing: screw thread

accessories

type	part-number	description	price (pre-tax)
C.11 AM10	8.2111.84.002	PC bowl with automatic drain and o-ring 30x2	45.98 €
C.11 AM10/NC	9.9911.00.030	PC bowl with automatic drain (usually closed) and o-ring 30x2	57.00 €

Bowl | BG1



Image shows:
8.2111.84.000/V

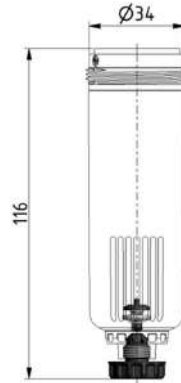


Image shows:
8.2111.84.000/V

technical data

- supply pressure P1 min.: 1,5 bar
- supply pressure P1 max.: 16 bar
- temperature range: 0 - 60°C
- bowl: PC
- drain: HA
- fixing: screw thread

accessories

type	part-number	description	price (pre-tax)
C.11 HA4	8.2111.84.000/V	PC bowl with semi automatic drain and o-ring 30x2	10.59 €

Service 3 unit

Service 2 unit

Filter regulator

Filter

Pressure regulator

Lubricator

System extensions

Accessories

Special products

Bowl | BG1

Service 3 unit

Service 2 unit

Filter regulator

Filter

Pressure regulator

Lubricator

System extensions

Accessories

Special products



Image shows:
8.2111.90.002



Image shows:
8.2111.90.002

technical data

- supply pressure P1 min.: 1,5 bar
- supply pressure P1 max.: 16 bar
- temperature range: 0 - 60°C
- bowl: metal bowl with level indicator
- drain: AM NO
- fixing: screw thread

accessories

type	part-number	description	price (pre-tax)
C.11 H AM10	8.2111.90.002	Bowl metal/visual display with automatic drain and o-ring 30x2	65.24 €
C.11 H AM10/NC	8.2111.90.003	Bowl metal/visual display with automatic drain (usually closed) and o-ring 30x2	76.26 €

Bowl | BG1



Image shows:
8.2111.99.000



Image shows:
8.2111.99.000

Service 3 unit

Service 2 unit

Filter regulator

Filter

Pressure regulator

Lubricator

System extensions

Accessories

Special products

technical data

- supply pressure P1 min.: 1,5 bar
- supply pressure P1 max.: 16 bar
- temperature range: 0 - 60°C
- bowl: metal bowl
- drain: HA3
- fixing: bayonet catch

accessories

type	part-number	description	price (pre-tax)
C.11 M HA3	8.2111.99.000	Metal bowl with semi automatic drain and o-ring 30x2	22.33 €

Bowl | BG1

Service 3 unit

Service 2 unit

Filter regulator

Filter

Pressure regulator

Lubricator

System extensions

Accessories

Special products



Image shows:
8.2111.90.001



Image shows:
8.2111.90.001

technical data

- supply pressure P1 min.: 1,5 bar
- supply pressure P1 max.: 16 bar
- temperature range: 0 - 60°C
- bowl: metal bowl with level indicator
- drain: HA3
- fixing: bayonet catch

accessories

type	part-number	description	price (pre-tax)
C.11 H HA3	8.2111.90.001	Bowl metal/visual display with semi automatic drain and o-ring 30x2	31.15 €



Bowl | BG2



Image shows:
8.2122.84.000



Image shows:
8.2122.84.000

Service 3 unit

Service 2 unit

Filter regulator

Filter

Pressure regulator

Lubricator

System extensions

Accessories

Special products

technical data

- supply pressure P1 min.: 1,5 bar
- supply pressure P1 max.: 16 bar
- temperature range: 0 - 60°C
- bowl: PC with steel bowl guard
- drain: HA3
- fixing: bayonet catch

accessories

type	part-number	description	price (pre-tax)
C.22 HA3 B	8.2122.84.000	PC bowl with bowl guard, semi automatic drain and o-ring 37x2 discontinued december 2013	21.56 €



Bowl | BG2

Service 3 unit

Service 2 unit

Filter regulator

Filter

Pressure regulator

Lubricator

System extensions

Accessories

Special products



Image shows:
8.2122.84.002

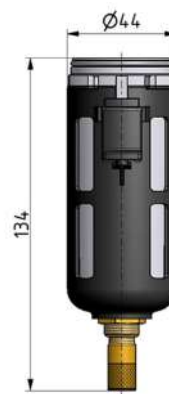


Image shows:
8.2122.84.002

technical data

- supply pressure P1 min.: 1,5 bar
- supply pressure P1 max.: 16 bar
- temperature range: 0 - 60°C
- bowl: PC with steel bowl guard
- drain: AM NO
- fixing: bayonet catch

accessories

type	part-number	description	price (pre-tax)
C.22 AM10 B	8.2122.84.002	PC bowl with bowl guard, automatic drain and o-ring 37x2 <i>discontinued december 2013</i>	62.30 €

Bowl | BG3



Image shows:
8.2133.76.001

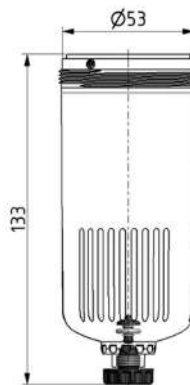


Image shows:
8.2133.76.001

technical data

- supply pressure P1 min.: 1,5 bar
- supply pressure P1 max.: 16 bar
- temperature range: 0 - 60°C
- bowl: PC
- drain: HA
- fixing: screw thread

accessories

type	part-number	description	price (pre-tax)
C.33 HA4	8.2133.76.001	PC bowl with semi automatic drain and o-ring 50x2	16.43 €

Service 3 unit

Service 2 unit

Filter regulator

Filter

Pressure regulator

Lubricator

System extensions

Accessories

Special products

Bowl | BG3

Service 3 unit

Service 2 unit

Filter regulator

Filter

Pressure regulator

Lubricator

System extensions

Accessories

Special products



Image shows:
8.2133.76.002/1

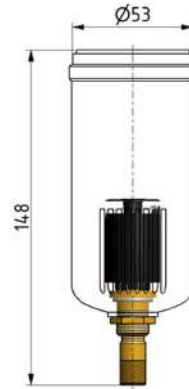


Image shows:
8.2133.76.002/1

technical data

- supply pressure P1 min.: 1,5 bar
- supply pressure P1 max.: 16 bar
- temperature range: 0 - 60°C
- bowl: PC
- drain: AM NO
- fixing: screw thread

accessories

type	part-number	description	price (pre-tax)
C.33 AM10	8.2133.76.002/1	PC bowl with automatic drain and o-ring 50x2	51.76 €

Bowl | BG3



Image shows:
8.2133.90.002



Image shows:
8.2133.90.002

technical data

- supply pressure P1 min.: 1,5 bar
- supply pressure P1 max.: 16 bar
- temperature range: 0 - 60°C
- bowl: metal bowl with level indicator
- drain: HA3
- fixing: bayonet catch

accessories

type	part-number	description	price (pre-tax)
C.33 H HA3	8.2133.90.002	Bowl metal/visual display with semi automatic drain and o-ring 50x2	34.81 €

Service 3 unit

Service 2 unit

Filter regulator

Filter

Pressure regulator

Lubricator

System extensions

Accessories

Special products

Bowl | BG3

Service 3 unit

Service 2 unit

Filter regulator

Filter

Pressure regulator

Lubricator

System extensions

Accessories

Special products



Image shows:
8.2133.90.001



Image shows:
8.2133.90.001

technical data

- supply pressure P1 min.: 1,5 bar
- supply pressure P1 max.: 16 bar
- temperature range: 0 - 60°C
- bowl: metal bowl with level indicator
- drain: AM NO
- fixing: bayonet catch

accessories

type	part-number	description	price (pre-tax)
C.33 H AM10	8.2133.90.001	Bowl metal/visual display with automatic drain and o-ring 50x2	68.90 €

Oil bowl | BGO



Image shows:
9.9900.00.040



Image shows:
9.9900.00.040

technical data

- supply pressure P1 max.: 12 bar
- temperature range: 0 - 50°C
- bowl: PC
- fixing: screw thread

accessories

type	part-number	description	price (pre-tax)
L.00	9.9900.00.040	PC oil bowl with o-ring 30x2	6.07 €

Service 3 unit

Service 2 unit

Filter regulator

Filter

Pressure regulator

Lubricator

System extensions

Accessories

Special products

Oil bowl | BGO

Service 3 unit

Service 2 unit

Filter regulator

Filter

Pressure regulator

Lubricator

System extensions

Accessories

Special products



Image shows:
9.9900.00.041



Image shows:
9.9900.00.041

technical data

- supply pressure P1 max.: 12 bar
- temperature range: 0 - 50°C
- bowl: metal bowl
- fixing: screw thread

accessories

type	part-number	description	price (pre-tax)
L.00 M	9.9900.00.041	Metal oil bowl black with o-ring 30x2	10.81 €

Oil bowl | BG1



Image shows:
8.2511.09.000/V



Image shows:
8.2511.09.000/V

technical data

- supply pressure P1 max.: 16 bar
- temperature range: 0 - 60°C
- bowl: PC
- fixing: screw thread

accessories

type	part-number	description	price (pre-tax)
L.11	8.2511.09.000/V	PC oil bowl with o-ring 30x2	8.65 €

Service 3 unit

Service 2 unit

Filter regulator

Filter

Pressure regulator

Lubricator

System extensions

Accessories

Special products

Oil bowl | BG3

Service 3 unit

Service 2 unit

Filter regulator

Filter

Pressure regulator

Lubricator

System extensions

Accessories

Special products



Image shows:
8.2533.09.000

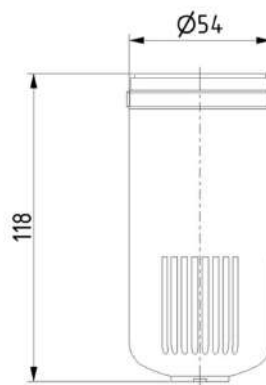


Image shows:
8.2533.09.000

technical data

- supply pressure P1 max.: 16 bar
- temperature range: 0 - 60°C
- bowl: PC
- fixing: screw thread

accessories

type	part-number	description	price (pre-tax)
L.33	8.2533.09.000	PC oil bowl with o-ring 50x2	14.49 €

Oil bowl | BG3



Image shows:
8.2533.90.000



Image shows:
8.2533.90.000

Service 3 unit

Service 2 unit

Filter regulator

Filter

Pressure regulator

Lubricator

System extensions

Accessories

Special products

technical data

- supply pressure P1 max.: 16 bar
- temperature range: 0 - 60°C
- bowl: metal bowl with level indicator
- fixing: bayonet catch

accessories

type	part-number	description	price (pre-tax)
L.33 H	8.2533.90.000	Oil bowl metal/visual display (black) with o-ring 50x2	38.47 €

Bowl guard | BGO

Service 3 unit

Service 2 unit

Filter regulator

Filter

Pressure regulator

Lubricator

System extensions

Accessories

Special products



Image shows:
9.9900.00.021

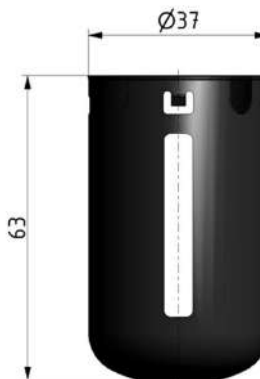


Image shows:
9.9900.00.021

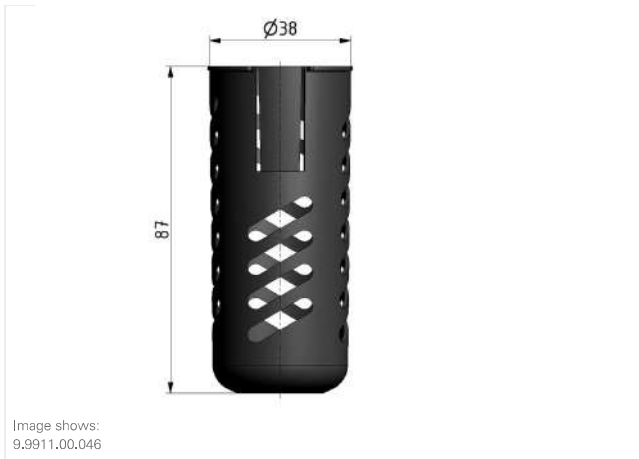
technical data

- **material:** steel black electro coated
- **fixing:** bayonet catch

accessories

type	part-number	description	price (pre-tax)
BC.00-45	9.9900.00.021	Bowl guard	6.39 €

Bowl guard | BG1



technical data

- **material:** steel black electro coated
- **fixing:** bayonet catch

accessories

type	part-number	description	price (pre-tax)
C.11-45	9.9911.00.046	Bowl guard and foam ring	11.19 €

Service 3 unit

Service 2 unit

Filter regulator

Filter

Pressure regulator

Lubricator

System extensions

Accessories

Special products

Bowl guard | BG3

Service 3 unit

Service 2 unit

Filter regulator

Filter

Pressure regulator

Lubricator

System extensions

Accessories

Special products



Image shows:
9.9933.00.089



Image shows:
9.9933.00.089

technical data

- **material:** steel black electro coated
- **fixing:** bayonet catch

accessories

type	part-number	description	price (pre-tax)
C.33-45	9.9933.00.089	Bowl guard and foam ring	12.94 €

Differential pressure gauge | BG3, BG5



Image shows:
9.3700.00.850

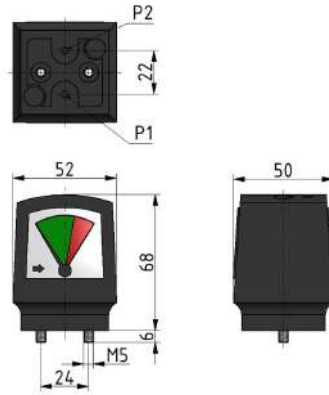


Image shows:
9.3700.00.850

Service 3 unit

Service 2 unit

Filter regulator

Filter

Pressure regulator

Lubricator

System extensions

Accessories

Special products

technical data

- **description:** magnetic piston meter
- **temperature range:** 0 - 60°C
- **mounting:** vertical
- **case:** ULTRAMID plastic, black
- **scales:** white plastic, pressure = black, colour fields = green/red
- **scale range:** 0 - 0,5 bar
- **max. working pressure:** 16 bar

accessories

type	part-number	description	price (pre-tax)
DM 2	9.3700.00.850	Differential pressure gauge scale ranges: 0-0,5bar	86.38 €

Differential pressure gauge DM 2 D | BG3, BG5

Service 3 unit

Service 2 unit

Filter regulator

Filter

Pressure regulator

Lubricator

System extensions

Accessories

Special products



Image shows:
9.3700.00.851

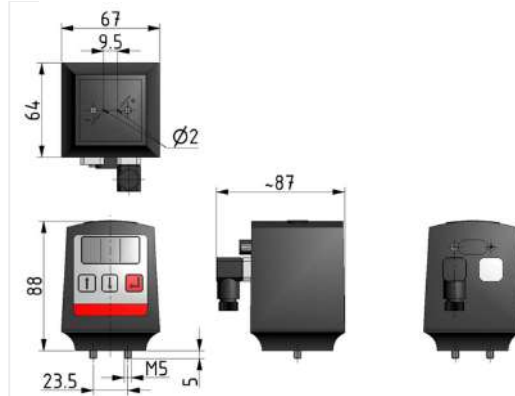


Image shows:
9.3700.00.851

technical data

- **temperature range:** 0 - 60°C
- **mounting:** vertical
- **max. working pressure:** 16 bar
- **supply voltage:** 8 ... 15 V DC, 12 ... 24 V DC
- **average current drain:** circa 300 mA
- **connecting plug:** Hirschmann G30 W 3 F or rather 3,2 mm blade terminal
- **measuring zone:** 0,1 ... 1,0 bar, <0,1 bar display "Lo", >1 bar display "Hi"
- **calibration:** 0,35 bar
- **data logging:** all 0,1 second
- **update display:** all 5 second (averaging)
- **working range of pressure:** 2 - 16 bar
- **durability:** 1 .. 24 month - factory settings: 12 month
- **critical differential pressure:** 0,10 ... 1,00 bar - factory settings: 0,35 bar
- **pressure blow control:** on / off - factory settings: on
- **semantics:** bar / PSI - factory settings: bar
- **1. dry contact:** changeover contact (normally opened / closed), max. voltage: 220V DC / 250V AC, max. switching circuit: 1A, max. breaking capacity: 30W DC / 60VA AC, connecting plug: Hirschmann G 30W 3 F or rather 3,2 mm blade terminal
- **2. serial interface:** RS485 ASCII standard, connecting plug: 9-pin sub-D connector

accessories

type	part-number	description	price (pre-tax)
DM 2 D	9.3700.00.851	Differential pressure gauge with two colour LED display, freely adjustable switch contact and serial interface, supply unit voltage 24 V	544.73 €

Pressure switch | BG1, BG3, BG5



Image shows:
9.90XX.00.005

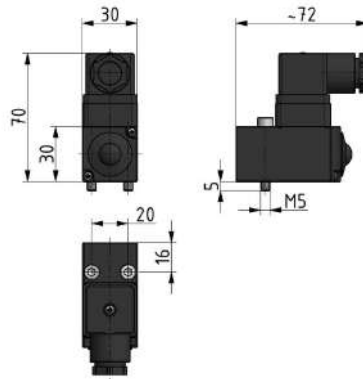


Image shows:
9.90XX.00.005

Service 3 unit

Service 2 unit

Filter regulator

Filter

Pressure regulator

Lubricator

System extensions

Accessories

Special products

technical data

- **description:** diaphragm pressure switch
- **medium:** air, non corrosive gases fluids
- **temperature range:** -10°C - +80°C
- **protection class:** IP 65
- **electrical connection:** plug connection DIN 43650, form A
- **max. working pressure:** 0,5 - 10 bar (overpressure 80 bar)
- **switch difference:** 4% - 10%
- **switching element:** micro switch, one pole change
- **switch function at regulation value:** connect 1 - 3 contact normally closed; 1 - 2 contact normally open

accessories

type	part-number	description	price (pre-tax)
PE.10	9.90XX.00.005	Pressure switch flange connection, 0,5-10 bar	95.27 €

Pressure switch | BG1

Service 3 unit

Service 2 unit

Filter regulator

Filter

Pressure regulator

Lubricator

System extensions

Accessories

Special products



Image shows:
9.901X.00.011

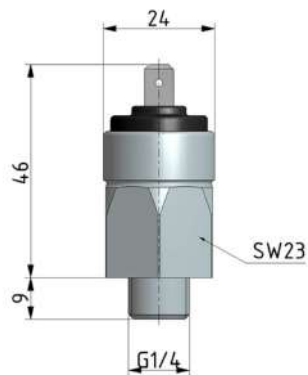


Image shows:
9.901X.00.011

technical data

- **description:** diaphragm, spring loaded
- **medium:** air, non corrosive gases fluids
- **temperature range:** -30°C - +130°C
- **protection class:** IP 65, connect IP 00 DIN 40050
- **max. working pressure:** 1 - 10 bar (overpressure 100 bar)
- **Version:** usually opened
- **switch difference:** 10% - 15%
- **switching element:** contacts, silver plated
- **switch power:** 100 VA; 42 V; 2 A; 200/min

accessories

type	part-number	description	price (pre-tax)
PE.110	9.901X.00.011	Pressure switch G1/4, 1-10 bar with protection cap (usually opened)	51.71 €
PE.111	9.901X.00.013	Pressure switch G1/4, 1-10 bar with protection cap (usually closed)	51.71 €

Pressure switch | BG3



Image shows:
9.900X.00.004

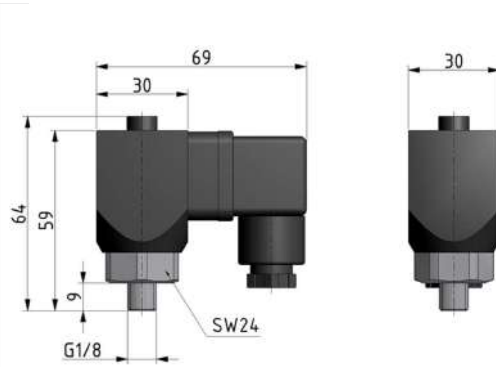


Image shows:
9.900X.00.004

Service 3 unit

Service 2 unit

Filter regulator

Filter

Pressure regulator

Lubricator

System extensions

Accessories

Special products

technical data

- **description:** diaphragm, spring loaded
- **medium:** air, non corrosive gases fluids
- **temperature range:** -25°C - +85°C
- **protection class:** IP 65, connect IP 00 DIN 40050
- **max. working pressure:** 1 - 10 bar (overpressure 20 bar)
- **switch difference:** 15% - 25%
- **switching element:** micro switch, one pole change

accessories

type	part-number	description	price (pre-tax)
PE.210	9.900X.00.004	Pressure switch G1/8, 1-10 bar	88.21 €

Pressure switch | BGO

Service 3 unit

Service 2 unit

Filter regulator

Filter

Pressure regulator

Lubricator

System extensions

Accessories

Special products



Image shows:
9.900X.00.006

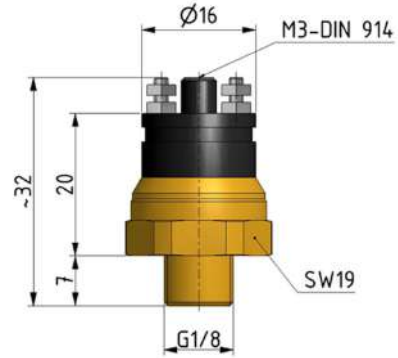


Image shows:
9.900X.00.006

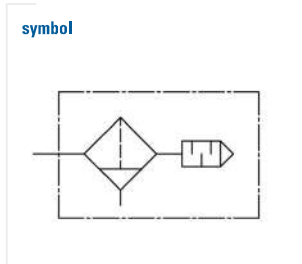
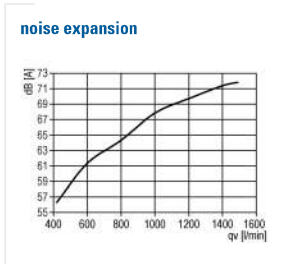
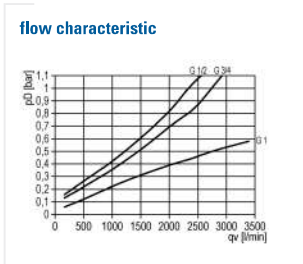
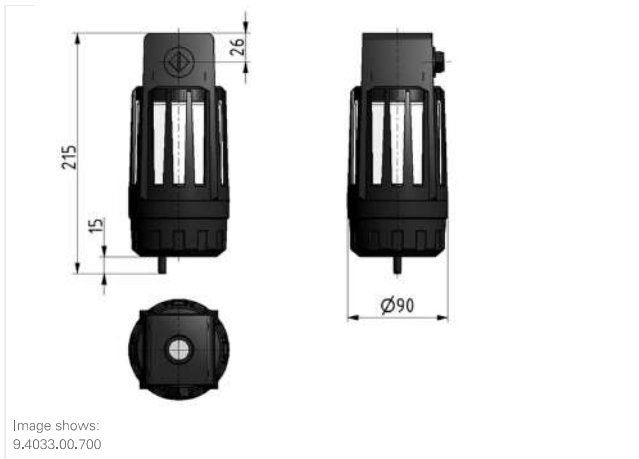
technical data

- **description:** diaphragm, spring loaded
- **medium:** compressed air
- **temperature range:** -30°C - +130°C
- **protection class:** IP 00, protection cap IP 65
- **max. working pressure:** 1 - 10 bar (protected against overpressure to 15 bar)
- **Version:** usually opened
- **switch difference:** 10% - 15%
- **switching element:** contacts, silver plated
- **switch power:** 100 VA; 24 V

accessories

type	part-number	description	price (pre-tax)
PE.310	9.900X.00.006	Pressure switch G1/8, 1-10 bar with protection cap	35.00 €

Filter silencer | --



technical data

- **description:** 3 graduated coalescence filter
- **supply pressure P1 max.:** 10 bar
- **temperature range:** 0 - 60°C
- **drain:** overflow for tube diameter inside ø6
- **mounting:** vertically, connection thread on the top and on the side
- **residual oil concent:** 0,01 mg/m³
- **filter efficiency:** 99,99%
- **reduction of noise:** circa 40 dB (A) (at P1 = 5 bar; Q = 2000 l/min and 1 m distance)
- **filter change:** min. once in a year

accessories

- Befestigungswinkel
BFSD.55-3

type	part-number	description	price (pre-tax)
FSD.33	9.4033.00.700	Filter silencer G1/2	85.89 €
FSD.34	9.4034.00.700	Filter silencer G3/4	91.46 €

- Service 3 unit
- Service 2 unit
- Filter regulator
- Filter
- Pressure regulator
- Lubricator
- System extensions
- Accessories
- Special products

Filter silencer | --

Service 3 unit

Service 2 unit



Image shows:
9.4055.00.700

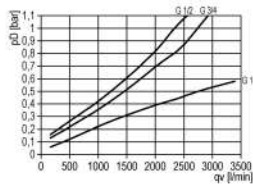


Image shows:
9.4055.00.700

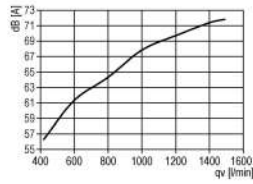
Filter regulator

Filter

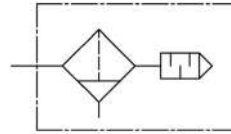
flow characteristic



noise expansion



symbol



Pressure regulator

Lubricator

System extensions

technical data

- **description:** 3 graduated coalescence filter
- **supply pressure P1 max.:** 10 bar
- **temperature range:** 0 - 60°C
- **drain:** overflow for tube diameter inside ø6
- **mounting:** vertically, connection thread on the top and on the side
- **residual oil content:** 0,01 mg/m³
- **filter efficiency:** 99,99%
- **reduction of noise:** circa 40 dB (A) (at P1 = 5 bar; Q = 2000 l/min and 1 m distance)
- **filter change:** min. once in a year

accessories

- Befestigungswinkel
BFSD.55-3

Accessories

Special products

type	part-number	description	price (pre-tax)
FSD.55	9.4055.00.700	Filter silencer G1	145.32 €

Automatic drain | --



Image shows:
9.3600.00.410/NC

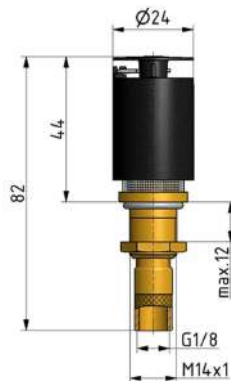


Image shows:
9.3600.00.410/NC

symbol



technical data

- **description:** float handled condensate drain (no bleed pressureless)
- **supply pressure P1 min.:** 1,5 bar
- **supply pressure P1 max.:** 16 bar
- **temperature range:** 0 - 50°C
- **fixing:** located within condensate bowl
- **mounting shaft:** Ø14 mm
- **discharge connection:** G 1/8
- **function without pressure:** (P1 0 bar) valve closed

accessories

type	part-number	description	price (pre-tax)
AM 10 NC	9.3600.00.410/NC	Automatic drain, p1= 1,5-16bar, usually closed	51.71 €
AM 10	9.3600.00.410/V	Automatic drain, p1= 1,5-16bar	40.69 €

Service 3 unit

Service 2 unit

Filter regulator

Filter

Pressure regulator

Lubricator

System extensions

Accessories

Special products

Membrane dryer | BG1

Service 3 unit

Service 2 unit



Image shows:
9.3311.600

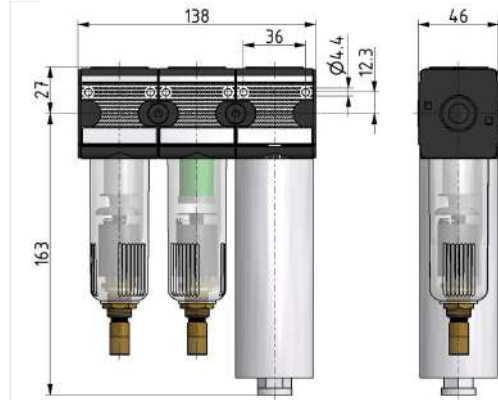


Image shows:
9.3311.600

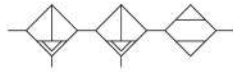
Filter regulator

nominal output

DTP Eingang +25°C, T max: DTP Abwärmung an 20 °C; Inletluft Feuchte 10%
 Red PDP +25°C / bar, PDP reduction 20 °C (nominal humidity 20%)

Supply pressure	+25°C (PDP)		+20°C (PDP)		+15°C (PDP)		+10°C (PDP)		+5°C (PDP)	
	In [l/min]	Out [l/min]	In [l/min]	Out [l/min]	In [l/min]	Out [l/min]	In [l/min]	Out [l/min]	In [l/min]	Out [l/min]
3 bar										
PPM1 11-1	4,4	38	20	28	24	15	11	12	7	
3 bar										
PPM1 11-1	5,3	52	46	38	33	21	15	16	11	
2 bar										
PPM1 11-1	6	67	61	58	44	27	21	21	15	
1 bar										
PPM1 11-1	6,6	75	73	58	52	32	25	25	18	

symbol



Filter

Pressure regulator

technical data

- **description:** membran dryer with prefilter
- **medium:** compressed air, neutral gases
- **temperature range:** +2 - +60°C
- **mounting:** vertical, drain down
- **fixing:** 2 holes in the body or 2 mounting bracket
- **nominal output (inlet pressure dew point +25°C, 7 bar):** 50 l/min
- **pressure dewpoint reduction at:** 20°C
- **supply pressure P1:** 4 - 10 bar (below 4 bar reduced drying)
- **leakage of pressure:** 0,1 - 0,3 bar
- **filter element:** filter 5 µm (absolutely), micro filter 0,01 µm (absolutely)
- **drain model:** fully automatic
- **noise level:** < 45 dB (A)

Lubricator

System extensions

Accessories

Special products

accessories



• mounting bracket: [ZW.11-1](#)



• bowl guard: [C.11-45](#)



• metal-bowl with visual display: [C.11.H.AM10](#)

type	part-number	description	price (pre-tax)
FFXMT.11 AM10	9.3311.600	Membrane dryer unit G1/4 50l/min	1364.21 €
FFXMT.11 AM10	9.3311.601	Membrane dryer unit G1/4 100l/min	1504.99 €
FFXMT.11 AM10	9.3311.602	Membrane dryer unit G1/4 150l/min	1636.58 €
FFXMT.11 AM10	9.3311.603	Membrane dryer unit G1/4 200l/min	1729.10 €
FFXZMT.11 AM10	9.3311.604	Membrane dryer unit G1/4 400l/min	1791.66 €
FFXZMT.11 AM10	9.3311.605	Membrane dryer unit G1/4 300l/min	1764.33 €
FFXMT.11 H AM10	9.3311.613	Membrane dryer unit G1/4 200l/min	1739.71 €

Service 3 unit

Service 2 unit

Filter regulator

Filter

Pressure regulator

Lubricator

System extensions

Accessories

Special products

Membrane dryer | BG3

Service 3 unit

Service 2 unit



Image shows:
9.3333.600



Image shows:
9.3333.600

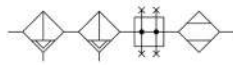
Filter regulator

nominal output

DTP Eingang +25°C, 7 bar; DTP Abwekung an 20 °C; relative Feuchte 30%
 Red PDP +25 °C / bar; PDP reduction at 20 °C; (nominal humidity 30%)

PDP	+25°C		+20°C		+15°C		+10°C		+5°C	
	In	Out	In	Out	In	Out	In	Out	In	Out
5 bar										
FFXZMT.33-1	45	375	300	285	215	198	123	104	80	
5 bar										
FFXZMT.33-1	53	555	480	385	332	271	178	160	132	
7 bar										
FFXZMT.33-1	63	670	610	580	440	390	245	245	180	
8 bar										
FFXZMT.33-1	68	780	720	680	525	390	255	250	210	

symbol



Filter

Pressure regulator

technical data

- **description:** membran dryer with prefilter and connection piece
- **medium:** compressed air, neutral gases
- **temperature range:** +2 - +60°C
- **mounting:** vertical, drain down
- **fixing:** 2 holes in the body or 2 mounting bracket
- **nominal output (inlet pressure dew point +25°C, 7 bar):** 500 l/min
- **pressure dewpoint reduction at:** 20°C
- **supply pressure P1:** 4 - 10 bar (below 4 bar reduced drying)
- **leakage of pressure:** 0,1 - 0,3 bar
- **filter element:** filter 5 µm (absolutely), micro filter 0,01 µm (absolutely)
- **drain model:** fully automatic
- **noise level:** < 45 dB (A)

Lubricator

System extensions

accessories

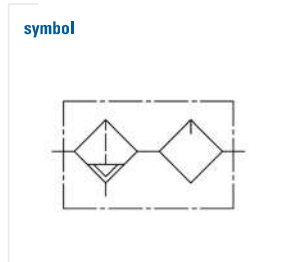
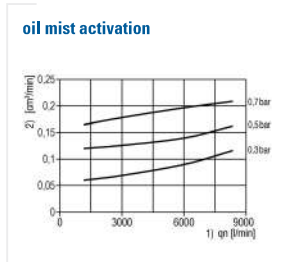
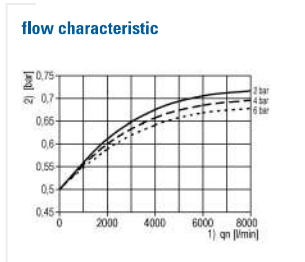
- **mounting bracket:** [ZW.33-1](#)
- **bowl guard:** [C.33-45](#)
- **metal-bowl with visual display:** [C.33.H.AM10](#)

Accessories

Special products

type	part-number	description	price (pre-tax)
FFXZMT.33 AM10	9.3333.600	Membrane dryer unit G1/2 500l/min	2222.94 €
FFXZMT.33 AM10	9.3333.601	Membrane dryer unit G1/2 650l/min	2373.60 €
FFXZMT.33 AM10	9.3333.602	Membrane dryer unit G1/2 950l/min	2525.29 €

Central filter lubricator unit | BG5



technical data

- **description:** differential pressure regulated central-lubricator
- **supply pressure P1 max.:** 10 bar
- **temperature range:** 0 - 60°C
- **mounting:** vertical, drain down
- **fixing:** install in pipe line, mounting bracket
- **operating differential pressure area:** 0,3 - 1 bar
- **recommended operating differential pressure area:** 0,5 bar
- **bowl volume:** 2 l
- **flow range:** 80 - 7000 l/min
- **recommended oil viscosity:** 32 c St / 40°C
- **kind of oil:** CL 32 DIN 51517 - ISO VG 32
- **grade of filtration of prefilter:** 40 µm (absolutely)
- **oil most particle size:** 0,3 - 2 µm

accessories

- mounting bracket: [ZFL_55-22](#)
- condensation drain: [KA-212](#) + [AM10](#)
- fine filter silencer: [FSD.33](#) + [FSD.34](#) + [FSD.55](#)

type	part-number	description	price (pre-tax)
ZFL.55	9.2455.00.000	Central filter lubricator unit G1	3980,41 €

- Service 3 unit
- Service 2 unit
- Filter regulator
- Filter
- Pressure regulator
- Lubricator
- System extensions
- Accessories
- Special products

Central filter lubricator unit | BG8

- Service 3 unit
- Service 2 unit
- Filter regulator
- Filter
- Pressure regulator
- Lubricator
- System extensions
- Accessories
- Special products



Image shows:
9.2488.00.000

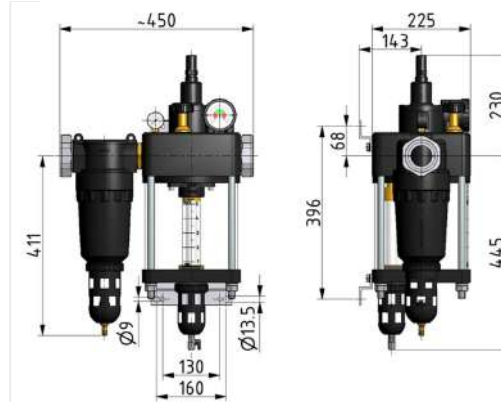
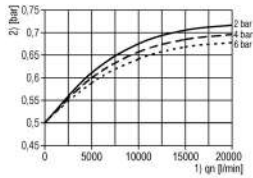
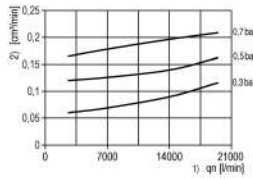


Image shows:
9.2488.00.000

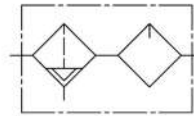
flow characteristic



oil mist activation



symbol



technical data

- **description:** differential pressure regulated central-lubricator
- **supply pressure P1 max.:** 10 bar
- **temperature range:** 0 - 60°C
- **mounting:** vertical, drain down
- **fixing:** install in pipe line, mounting bracket
- **operating differential pressure area:** 0,3 - 1 bar
- **recommended operating differential pressure area:** 0,5 bar
- **bowl volume:** 5 l
- **flow range:** 250 - 20000 l/min
- **recommended oil viscosity:** 32 c St / 40°C
- **kind of oil:** CL 32 DIN 51517 - ISO VG 32
- **grade of filtration of prefilter:** 60 µm (absolutely)
- **oil mist particle size:** 0,3 - 2 µm

accessories

- **mounting bracket:** [ZFL.88-34](#)



- **condensation drain:** [KA-212](#)
[AM10](#)



- **fine filter silencer:** [FSD.33](#) +
[FSD.34](#) + [FSD.55](#)

type	part-number	description	price (pre-tax)
ZFL.88	9.2488.00.000	Central filter lubricator unit G2	8872.44 €
ZFL.88 N	9.2488.00.002	Central filter lubricator unit G2 with electrical level controle, without switching electronics	10000.00 €