

Bracket kit | BG1

- Service 3 unit
- Service 2 unit
- Filter regulator
- Filter
- Pressure regulator
- Lubricator
- System extensions
- Accessories**
- Special products



Image shows:
99001.1225

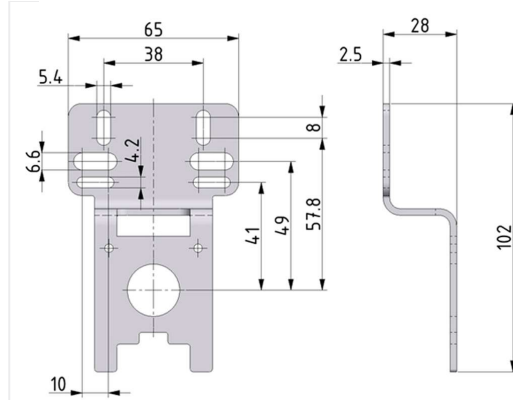


Image shows:
99001.1225

technical data

- **description:** Mounting bracket
- **material:** steel galvanized
- **fixing:** mounting with 2 screws

accessories

type	part-number	description	price (pre-tax)
KBW.1-1225	99001.1225	Mounting bracket FUTURA BG1 (BW.1+2x screw 3x10 with Torx 10IP)	5.40 €

Bracket kit | BG2



Image shows:
99002.1225

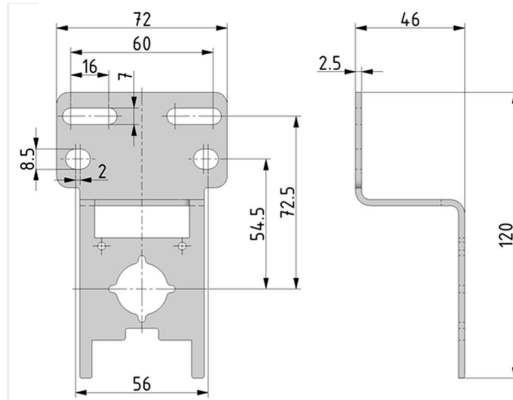


Image shows:
99002.1225

technical data

- **description:** Mounting bracket
- **material:** steel galvanized
- **fixing:** mounting with 2 screws

accessories

type	part-number	description	price (pre-tax)
KBW.2-1225	99002.1225	Mounting bracket FUTURA BG2 (BW.2+2x screw 3x10 with Torx 10IP)	6.68 €

Service 3 unit

Service 2 unit

Filter regulator

Filter

Pressure regulator

Lubricator

System extensions

Accessories

Special products

Bracket kit | BG4

Service 3 unit

Service 2 unit

Filter regulator

Filter

Pressure regulator

Lubricator

System extensions

Accessories

Special products

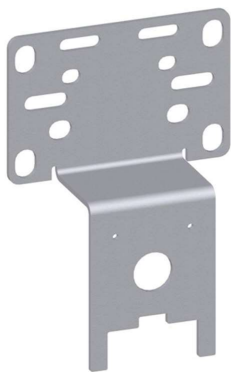


Image shows:
99004.1225

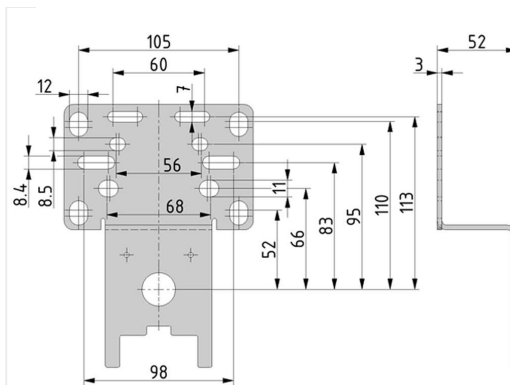


Image shows:
99004.1225

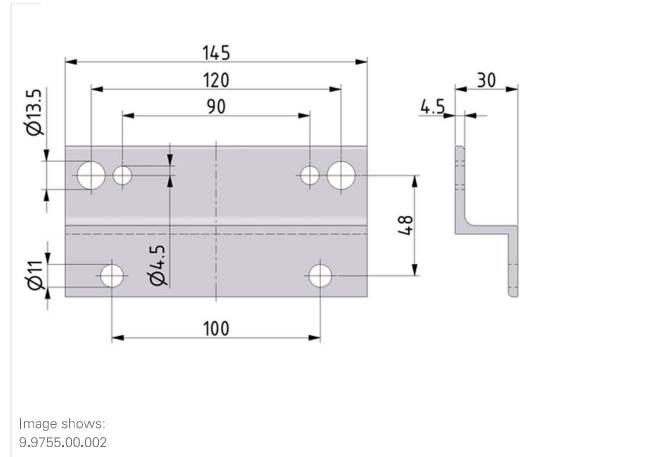
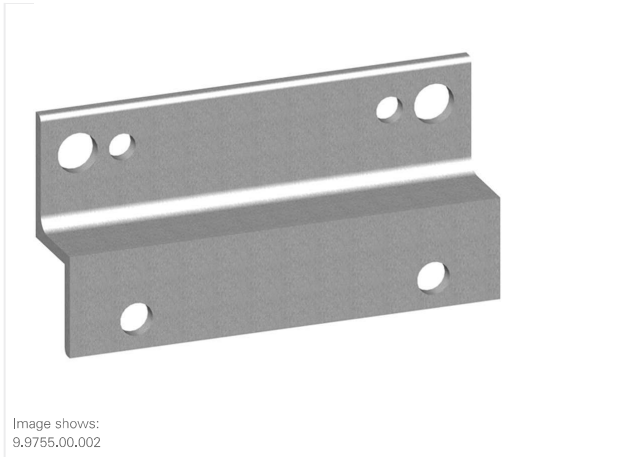
technical data

- **description:** Mounting bracket
- **material:** steel galvanized
- **fixing:** mounting with 2 screws

accessories

type	part-number	description	price (pre-tax)
KBW.4-1225	99004.1225	Mounting bracket FUTURA BG4 (BW.4+2x screw 3x10 with Torx 10IP)	11.74 €

Bracket kit | ZFL.55



technical data

- **description:** Mounting bracket
- **material:** steel galvanized
- **fixing:** mounting with 2 screws

accessories

type	part-number	description	price (pre-tax)
ZFL.55-22	9.9755.00.002	Mounting bracket (ZFL.55-22+4x screw M10x25 DIN933+4x10 ISO7090)	20.33 €

Service 3 unit

Service 2 unit

Filter regulator

Filter

Pressure regulator

Lubricator

System extensions

Accessories

Special products

Mounting bracket for panel mounting | BGO

Service 3 unit

Service 2 unit

Filter regulator

Filter

Pressure regulator

Lubricator

System extensions

Accessories

Special products



Image shows:
99000.1227

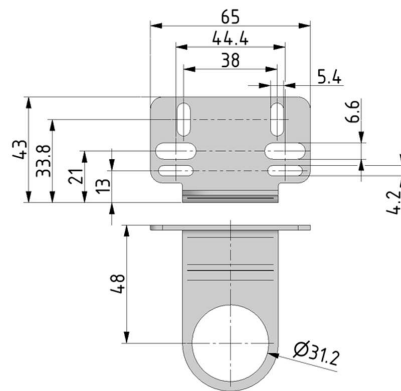


Image shows:
99000.1227

technical data

- **description:** Mounting bracket for panel mounting
- **material:** steel galvanized
- **fixing:** control panel nut and 2 screws for fixation to wall

accessories

type	part-number	description	price (pre-tax)
KBW.0-1227	99000.1227	FUTURA mounting bracket for panel mounting BGO	4.26 €

Mounting bracket for panel mounting | BG1



Image shows:
99001.1227

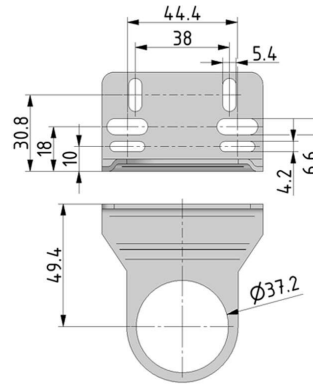


Image shows:
99001.1227

technical data

- **description:** Mounting bracket for panel mounting
- **material:** steel galvanized
- **fixing:** control panel nut and 2 screws for fixation to wall

accessories

type	part-number	description	price (pre-tax)
KBW.1-1227	99001.1227	Mounting bracket FUTURA BG1 for panel mounting	4.87 €

Service 3 unit

Service 2 unit

Filter regulator

Filter

Pressure regulator

Lubricator

System extensions

Accessories

Special products

Mounting bracket for panel mounting | BG2

Service 3 unit

Service 2 unit

Filter regulator

Filter

Pressure regulator

Lubricator

System extensions

Accessories

Special products



Image shows:
99002.1227

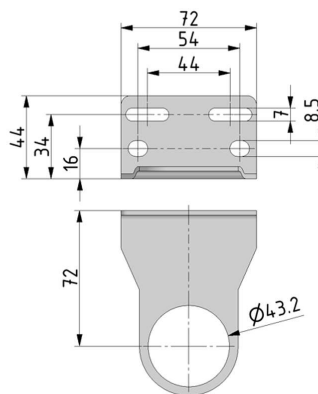


Image shows:
99002.1227

technical data

- **description:** Mounting bracket for panel mounting
- **material:** steel galvanized
- **fixing:** control panel nut and 2 screws for fixation to wall

accessories

type	part-number	description	price (pre-tax)
KBW.2-1227	99002.1227	FUTURA mounting bracket for panel mounting BG2	6.68 €

Coupling kit | BG0



Image shows:
99000.0901

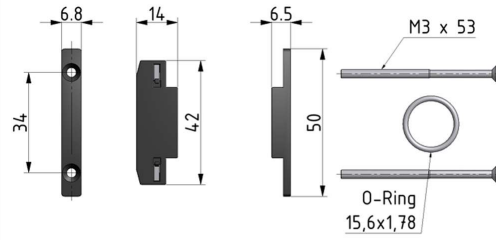


Image shows:
99000.0901

Service 3 unit

Service 2 unit

Filter regulator

Filter

Pressure regulator

Lubricator

System extensions

Accessories

Special products

technical data

- **description:** Coupling kit
- **fixing:** for components to be connected in Futura series 0
- **material coupling kit:** Grivory (PA66)
- **material screws:** steel
- **material o-ring:** NBR 70

accessories

type	part-number	description	price (pre-tax)
KKOP.0	99000.0901	Coupling kit BG0 FUTURA	1.69 €

Coupling kit | BG1

Service 3 unit

Service 2 unit

Filter regulator

Filter

Pressure regulator

Lubricator

System extensions

Accessories

Special products



Image shows:
99001.0901

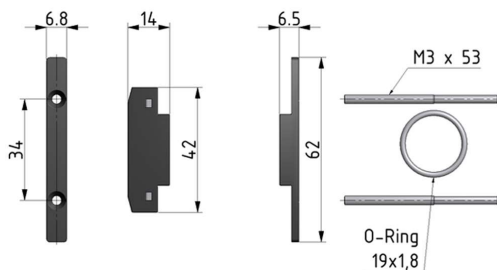


Image shows:
99001.0901

technical data

- **description:** Coupling kit
- **fixing:** for components to be connected in Futura series 1
- **material coupling kit:** Grivory (PA66)
- **material screws:** steel
- **material o-ring:** NBR 70

accessories

type	part-number	description	price (pre-tax)
KKOP.1	99001.0901	Coupling kit BG1 FUTURA	2.02 €

Coupling kit | BG2



Image shows:
99002.0901

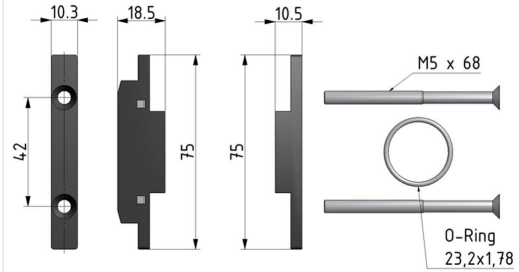


Image shows:
99002.0901

Service 3 unit

Service 2 unit

Filter regulator

Filter

Pressure regulator

Lubricator

System extensions

Accessories

Special products

technical data

- **description:** Coupling kit
- **fixing:** for components to be connected in Futura series 2
- **material coupling kit:** Grivory (PA66)
- **material screws:** steel
- **material o-ring:** NBR 70

accessories

type	part-number	description	price (pre-tax)
KKOP.2	99002.0901	Coupling kit BG2 FUTURA	3.02 €

Coupling kit | BG4

Service 3 unit

Service 2 unit

Filter regulator

Filter

Pressure regulator

Lubricator

System extensions

Accessories

Special products



Image shows:
99004.0901

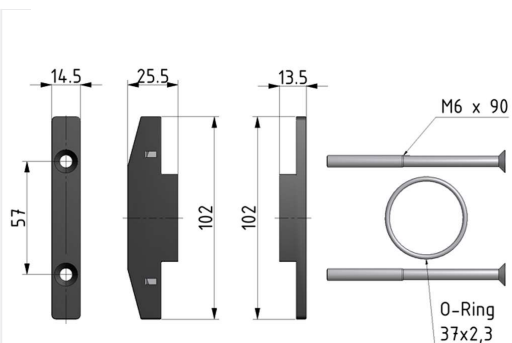


Image shows:
99004.0901

technical data

- **description:** Coupling kit
- **fixing:** for components to be connected in Futura series 4
- **material coupling kit:** Grivory (PA66)
- **material screws:** steel
- **material o-ring:** NBR 70

accessories

type	part-number	description	price (pre-tax)
KKOP.4	99004.0901	Coupling kit BG4 FUTURA	4.52 €

Coupling kit wall mounting | BG0



Image shows:
99000.0900

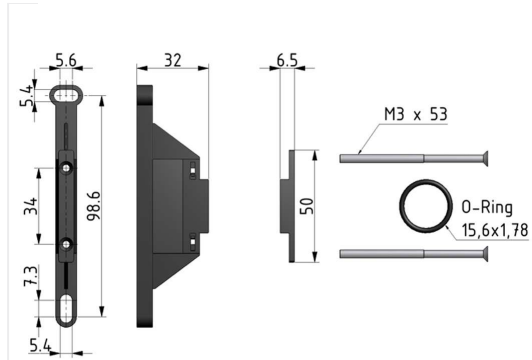


Image shows:
99000.0900

Service 3 unit

Service 2 unit

Filter regulator

Filter

Pressure regulator

Lubricator

System extensions

Accessories

Special products

technical data

- **description:** Coupling kit wall mounting
- **fixing:** for components to be connected in Futura series 0
- **material coupling kit:** Grivory (PA66)
- **material screws:** steel
- **material o-ring:** NBR 70

accessories

type	part-number	description	price (pre-tax)
KKOP.0W	99000.0900	FUTURA coupling kit BG0 for wall assembly	2.29 €

Coupling kit wall mounting | BG1

Service 3 unit

Service 2 unit

Filter regulator

Filter

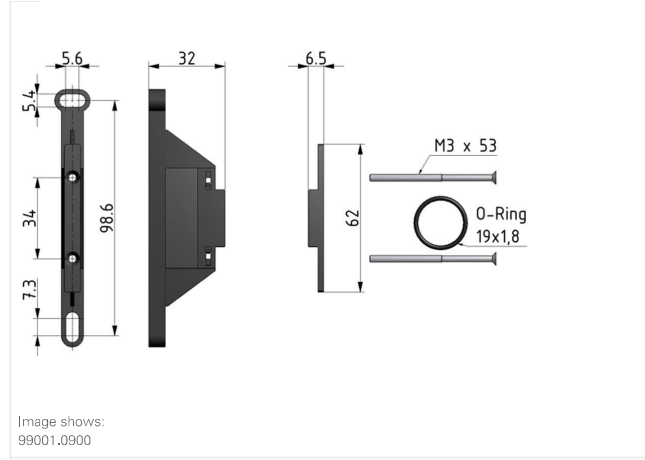
Pressure regulator

Lubricator

System extensions

Accessories

Special products



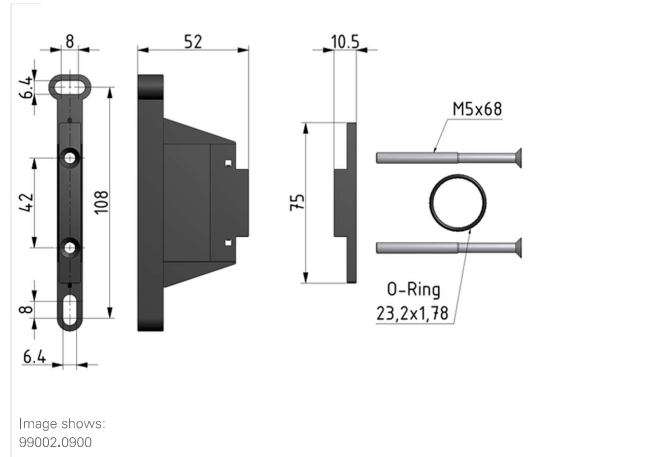
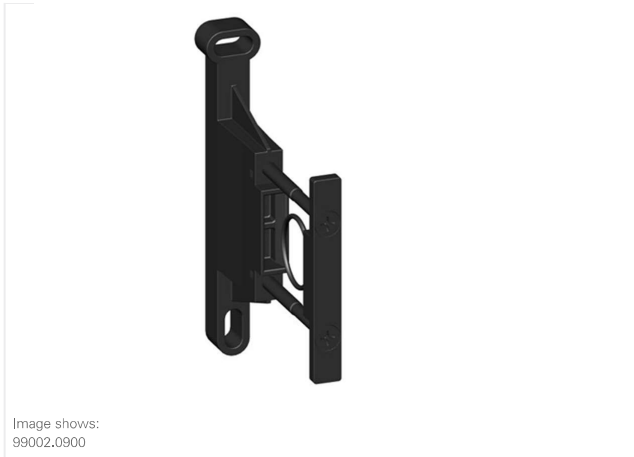
technical data

- **description:** Coupling kit wall mounting
- **fixing:** for components to be connected in Futura series 1
- **material coupling kit:** Grivory (PA66)
- **material screws:** steel
- **material o-ring:** NBR 70

accessories

type	part-number	description	price (pre-tax)
KKOP.1W	99001.0900	FUTURA coupling kit BG1 for wall assembly	3.45 €

Coupling kit wall mounting | BG2



technical data

- **description:** Coupling kit wall mounting
- **fixing:** for components to be connected in Futura series 2
- **material coupling kit:** Grivory (PA66)
- **material screws:** steel
- **material o-ring:** NBR 70

accessories

type	part-number	description	price (pre-tax)
KKOP.2W	99002.0900	FUTURA coupling kit BG2 for wall assembly	6.04 €

- Service 3 unit
- Service 2 unit
- Filter regulator
- Filter
- Pressure regulator
- Lubricator
- System extensions
- Accessories**
- Special products

Coupling kit wall mounting | BG4

Service 3 unit

Service 2 unit

Filter regulator

Filter

Pressure regulator

Lubricator

System extensions

Accessories

Special products



Image shows:
99004.0900

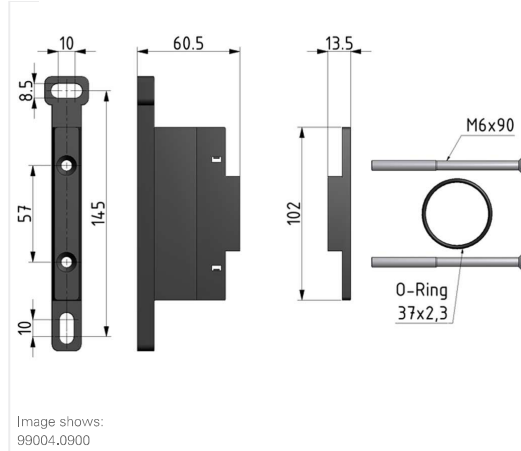


Image shows:
99004.0900

technical data

- **description:** Coupling kit wall mounting
- **fixing:** for components to be connected in Futura series 4
- **material coupling kit:** Grivory (PA66)
- **material screws:** steel
- **material o-ring:** NBR 70

accessories

type	part-number	description	price (pre-tax)
KKOP.4W	99004.0900	FUTURA coupling kit BG4 for wall assembly	6.34 €

Gauge square | BGO

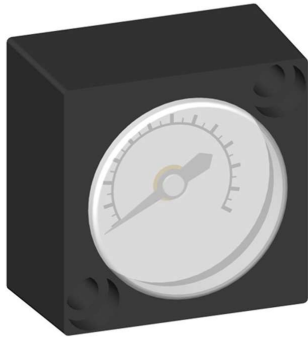


Image shows:
93700.3700

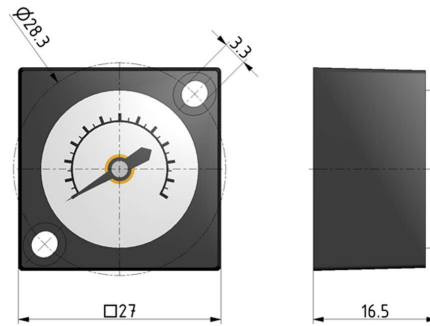


Image shows:
93700.3700

Service 3 unit

Service 2 unit

Filter regulator

Filter

Pressure regulator

Lubricator

System extensions

Accessories

Special products

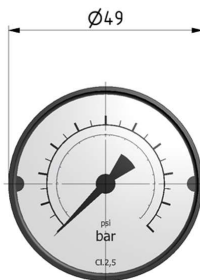
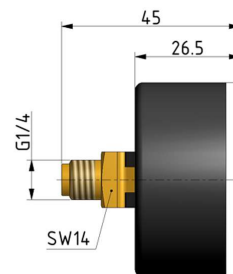
technical data

- **description:** bourdon tube pressure gauge (EN 837-1), flange connection (only BGO)
- **temperature range:** 0 - 50°C
- **diameter:** 27x27 (only BGO)
- **scale ranges (EN 837-1):** 0 - 6 bar
- **accuracy class:** 2,5 (EN 837-1 /6)
- **case:** black plastic
- **window:** snap fit window of clear plastic
- **working pressure, steady:** 0 - 4,5 bar
- **working pressure, fluctuating:** 0 - 4 bar
- **temperature effect:** when temperature of the pressure element deviates from reference temperature (+20°C): max. ±0,4%/10°C of the span

accessories

type	part-number	description	price (pre-tax)
GC 27.6	93700.3700	Gauge square FUTURA BGO 0-6	7.24 €
RGC 27.12	93700.3720	Gauge square BGO 0-12	7.24 €

Gauge | BG1, BG2

Image shows:
9.3700.00.110Image shows:
9.3700.00.110

Service 3 unit

Service 2 unit

Filter regulator

Filter

Pressure regulator

Lubricator

System extensions

Accessories

Special products

technical data

- **description:** bourdon tube pressure gauge (EN 837-1), pressure connection on the back
- **temperature range:** 0 - 50°C
- **diameter:** ø50
- **scale ranges (EN 837-1):** 0 - 16 bar
- **accuracy class:** 2,5 (EN 837-1 /6)
- **case:** black plastic
- **window:** snap fit window of clear plastic
- **working pressure, steady:** 0 - 12 bar
- **working pressure, fluctuating:** 0 - 10,5 bar
- **temperature effect:** when temperature of the pressure element deviates from reference temperature (+20°C): max. ±0,4%/10°C of the span

accessories

type	part-number	description	price (pre-tax)
G 50.16 R	9.3700.00.110	Gauge G1/4 Knocks instrument dial light grey	9.21 €
G 50.10 R	9.3700.00.111	Gauge G1/4 Knocks instrument dial light grey	9.21 €
G 50.6 R	9.3700.00.112	Gauge G1/4 Knocks instrument dial light grey	9.21 €
G 50.25 R	9.3700.00.113	Gauge G1/4 Knocks instrument dial light grey	9.21 €
G 50.2,5 R	9.3700.00.114	Gauge G1/4 Knocks instrument dial light grey	9.21 €
G 50.4 R	9.3700.00.116	Gauge G1/4 Knocks instrument dial light grey	9.21 €

Gauge | BG4



Image shows:
9.3700.00.243

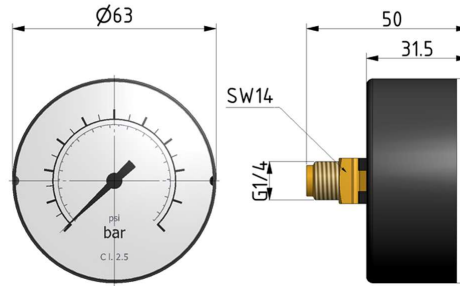


Image shows:
9.3700.00.243

technical data

- **description:** bourdon tube pressure gauge (EN 837-1), pressure connection on the back
- **temperature range:** 0 - 50°C
- **diameter:** Ø63
- **scale ranges (EN 837-1):** 0 - 16 bar
- **accuracy class:** 2,5 (EN 837-1 /6)
- **case:** black plastic
- **window:** snap fit window of clear plastic
- **working pressure, steady:** 0 - 12 bar
- **working pressure, fluctuating:** 0 - 10,5 bar
- **temperature effect:** when temperature of the pressure element deviates from reference temperature (+20°C): max. ±0,4%/10°C of the span

accessories

type	part-number	description	price (pre-tax)
G 63.16 R	9.3700.00.243	Gauge G1/4 Knocks instrument dial light grey	10.07 €
G 63.25 R	9.3700.00.244	Gauge G1/4 Knocks instrument dial light grey	10.07 €
G 63.6 R	9.3700.00.245	Gauge G1/4 Knocks instrument dial light grey	10.07 €
G 63.10 R	9.3700.00.246	Gauge G1/4 Knocks instrument dial light grey	10.07 €

Service 3 unit

Service 2 unit

Filter regulator

Filter

Pressure regulator

Lubricator

System extensions

Accessories

Special products

Bowl | BGO

Service 3 unit

Service 2 unit

Filter regulator

Filter

Pressure regulator

Lubricator

System extensions

Accessories

Special products



Image shows:
9.9900.00.038

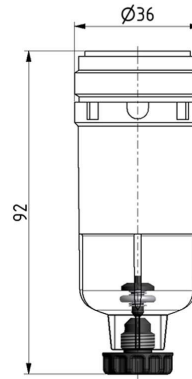


Image shows:
9.9900.00.038

technical data

- supply pressure P1 min.: 1,5 bar
- supply pressure P1 max.: 12 bar
- temperature range: 0 - 50°C
- bowl: PC
- drain: HA
- fixing: screw thread

accessories

type	part-number	description	price (pre-tax)
C.00 HA4	9.9900.00.038	PC bowl with semi automatic drain and o-ring 30x2	9.32 €

Bowl | BGO



Image shows:
8.2100.96.001.2

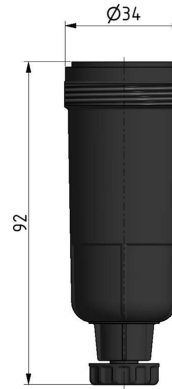


Image shows:
8.2100.96.001.2

Service 3 unit

Service 2 unit

Filter regulator

Filter

Pressure regulator

Lubricator

System extensions

Accessories

Special products

technical data

- supply pressure P1 min.: 1,5 bar
- supply pressure P1 max.: 12 bar
- temperature range: 0 - 50°C
- bowl: metal bowl
- drain: HA
- fixing: screw thread

accessories

type	part-number	description	price (pre-tax)
C.00 M HA4	8.2100.96.001.2	Metal bowl with semi automatic drain and o-ring 30x2	17.69 €

Bowl | BGO

Service 3 unit

Service 2 unit

Filter regulator

Filter

Pressure regulator

Lubricator

System extensions

Accessories

Special products



Image shows:
9.9900.00.019

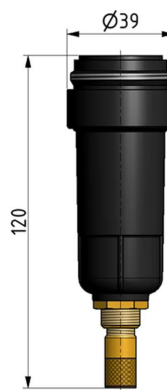


Image shows:
9.9900.00.019

technical data

- supply pressure P1 min.: 1,5 bar
- supply pressure P1 max.: 12 bar
- temperature range: 0 - 50°C
- bowl: metal bowl
- drain: AM NO
- fixing: screw thread

accessories

type	part-number	description	price (pre-tax)
C.00 M AM10	9.9900.00.019	Metal bowl with automatic drain and o-ring 30x2	54.09 €
C.00 M AM10/NC	9.9900.00.052	Metal bowl with automatic drain (usually closed) and o-ring 30x2	65.11 €

Bowl | BG0, BG1



Image shows:
8.2111.84.002

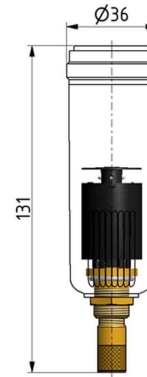


Image shows:
8.2111.84.002

Service 3 unit

Service 2 unit

Filter regulator

Filter

Pressure regulator

Lubricator

System extensions

Accessories

Special products

technical data

- supply pressure P1 min.: 1,5 bar
- supply pressure P1 max.: 12 bar
- temperature range: 0 - 50°C
- bowl: PC
- drain: AM NO
- fixing: screw thread

accessories

type	part-number	description	price (pre-tax)
C.11 AM10	8.2111.84.002	PC bowl with automatic drain and o-ring 30x2	45.98 €
C.11 AM10/NC	9.9911.00.030	PC bowl with automatic drain (usually closed) and o-ring 30x2	57.00 €

Bowl | BG1

Service 3 unit

Service 2 unit

Filter regulator

Filter

Pressure regulator

Lubricator

System extensions

Accessories

Special products



Image shows:
90001.0200

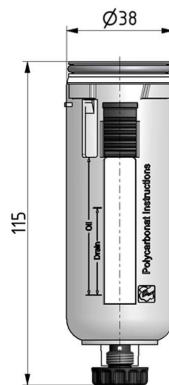


Image shows:
90001.0200

technical data

- supply pressure P1 min.: 1,5 bar
- supply pressure P1 max.: 16 bar
- temperature range: 0 - 50°C
- bowl: PC with PA bowl guard
- drain: HA
- fixing: bayonet catch

accessories

type	part-number	description	price (pre-tax)
BE.1 HA4	90001.0200	PC bowl with bowl guard, semi automatic drain and o-ring 32x2,5	9.64 €

Bowl | BG1



Image shows:
90001.0201

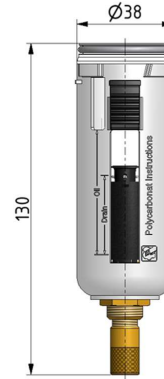


Image shows:
90001.0201

Service 3 unit

Service 2 unit

Filter regulator

Filter

Pressure regulator

Lubricator

System extensions

Accessories

Special products

technical data

- **supply pressure P1 min.:** 1,5 bar
- **supply pressure P1 max.:** 16 bar
- **temperature range:** 0 - 50°C
- **bowl:** PC with PA bowl guard
- **drain:** AM NO
- **fixing:** bayonet catch

accessories

type	part-number	description	price (pre-tax)
BE.1 AM10	90001.0201	PC bowl with bowl guard, automatic drain and o-ring 32x2,5	50.34 €
BE.1 AM10/NC	90001.0205	PC bowl with bowl guard, automatic drain (usually closed) and o-ring 32x2,5	61.36 €

Bowl | BG1

Service 3 unit

Service 2 unit

Filter regulator

Filter

Pressure regulator

Lubricator

System extensions

Accessories

Special products



Image shows:
90001.0220

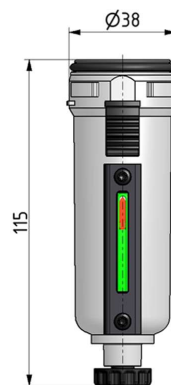


Image shows:
90001.0220

technical data

- supply pressure P1 min.: 1,5 bar
- supply pressure P1 max.: 16 bar
- temperature range: 0 - 50°C
- bowl: metal bowl with level indicator
- drain: HA
- fixing: bayonet catch

accessories

type	part-number	description	price (pre-tax)
BE.1 H HA4	90001.0220	Bowl metal/visual display with semi automatic drain and o-ring 32x2,5	28.56 €

Bowl | BG1



Image shows:
90001.0221



Image shows:
90001.0221

Service 3 unit

Service 2 unit

Filter regulator

Filter

Pressure regulator

Lubricator

System extensions

Accessories

Special products

technical data

- supply pressure P1 min.: 1,5 bar
- supply pressure P1 max.: 16 bar
- temperature range: 0 - 50°C
- bowl: metal bowl with level indicator
- drain: AM NO
- fixing: bayonet catch

accessories

type	part-number	description	price (pre-tax)
BE.1 H AM10	90001.0221	Bowl metal/visual display with automatic drain and o-ring 32x2,5	69.26 €
BE.1 H AM10/NC	90001.0225	Bowl metal/visual display with automatic drain (usually closed) and o-ring 32x2,5	80.28 €

Bowl | BG1

Service 3 unit

Service 2 unit

Filter regulator

Filter

Pressure regulator

Lubricator

System extensions

Accessories

Special products



Image shows:
90001.0203

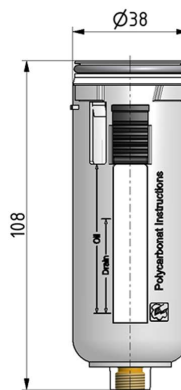


Image shows:
90001.0203

technical data

- supply pressure P1 min.: 0 bar
- supply pressure P1 max.: 16 bar
- temperature range: 0 - 50°C
- bowl: PC with PA bowl guard
- fixing: bayonet catch

accessories

type	part-number	description	price (pre-tax)
BE.1 c	90001.0203	PC bowl closed with bowl guard and o-ring 32x2,5	9.43 €

Bowl | BG1



Image shows:
90001.0223

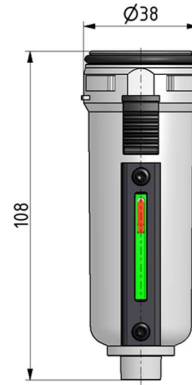


Image shows:
90001.0223

technical data

- supply pressure P1 min.: 0 bar
- supply pressure P1 max.: 16 bar
- temperature range: 0 - 50°C
- bowl: metal bowl with level indicator
- fixing: bayonet catch

accessories

type	part-number	description	price (pre-tax)
BE.1 H c	90001.0223	Bowl metal/visual display closed and o-ring 32x2,5	28.61 €

Service 3 unit

Service 2 unit

Filter regulator

Filter

Pressure regulator

Lubricator

System extensions

Accessories

Special products

Bowl | BG2

Service 3 unit

Service 2 unit

Filter regulator

Filter

Pressure regulator

Lubricator

System extensions

Accessories

Special products



Image shows:
90002.0200

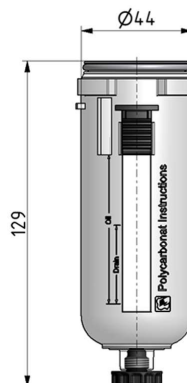


Image shows:
90002.0200

technical data

- supply pressure P1 min.: 1,5 bar
- supply pressure P1 max.: 16 bar
- temperature range: 0 - 50°C
- bowl: PC with PA bowl guard
- drain: HA
- fixing: bayonet catch

accessories

type	part-number	description	price (pre-tax)
BE.2 HA4	90002.0200	PC bowl with bowl guard, semi automatic drain and o-ring 37,5x2,5	12.03 €

Bowl | BG2



Image shows:
90002.0201



Image shows:
90002.0201

Service 3 unit

Service 2 unit

Filter regulator

Filter

Pressure regulator

Lubricator

System extensions

Accessories

Special products

technical data

- supply pressure P1 min.: 1,5 bar
- supply pressure P1 max.: 16 bar
- temperature range: 0 - 50°C
- bowl: PC with PA bowl guard
- drain: AM NO
- fixing: bayonet catch

accessories

type	part-number	description	price (pre-tax)
BE.2 AM10	90002.0201	PC bowl with bowl guard, automatic drain and o-ring 37,5x2,5	52.73 €
BE.2 AM10/NC	90002.0205	PC bowl with bowl guard, automatic drain (usually closed) and o-ring 37,5x2,5	63.74 €

Bowl | BG2

Service 3 unit

Service 2 unit

Filter regulator

Filter

Pressure regulator

Lubricator

System extensions

Accessories

Special products



Image shows:
90002.0220

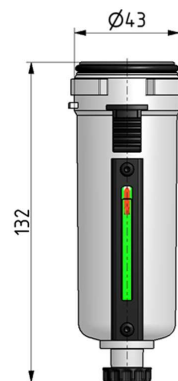


Image shows:
90002.0220

technical data

- supply pressure P1 min.: 1,5 bar
- supply pressure P1 max.: 16 bar
- temperature range: 0 - 50°C
- bowl: metal bowl with level indicator
- drain: HA
- fixing: bayonet catch

accessories

type	part-number	description	price (pre-tax)
BE.2 H HA4	90002.0220	Bowl metal/visual display with semi automatic drain and o-ring 37,5x2,5	31.64 €

Bowl | BG2



Image shows:
90002.0221



Image shows:
90002.0221

Service 3 unit

Service 2 unit

Filter regulator

Filter

Pressure regulator

Lubricator

System extensions

Accessories

Special products

technical data

- supply pressure P1 min.: 1,5 bar
- supply pressure P1 max.: 16 bar
- temperature range: 0 - 50°C
- bowl: metal bowl with level indicator
- drain: AM NO
- fixing: bayonet catch

accessories

type	part-number	description	price (pre-tax)
BE.2 H AM10	90002.0221	Bowl metal/visual display with automatic drain and o-ring 37,5x2,5	72.34 €
BE.2 H AM10/NC	90002.0225	Bowl metal/visual display with automatic drain (usually closed) and o-ring 37,5x2,5	83.35 €

Bowl | BG2

Service 3 unit

Service 2 unit

Filter regulator

Filter

Pressure regulator

Lubricator

System extensions

Accessories

Special products



Image shows:
90002.0203

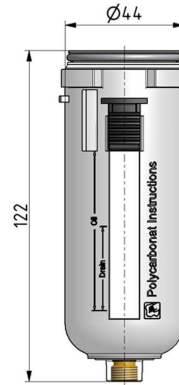


Image shows:
90002.0203

technical data

- supply pressure P1 min.: 0 bar
- supply pressure P1 max.: 16 bar
- temperature range: 0 - 50°C
- bowl: PC with PA bowl guard
- fixing: bayonet catch

accessories

type	part-number	description	price (pre-tax)
BE.2 c	90002.0203	PC bowl closed with bowl guard and o-ring 37,5x2,5	11.81 €

Bowl | BG2



Image shows:
90002.0223

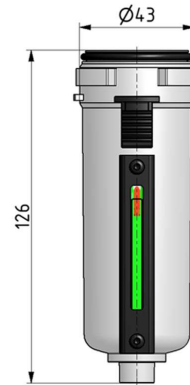


Image shows:
90002.0223

Service 3 unit

Service 2 unit

Filter regulator

Filter

Pressure regulator

Lubricator

System extensions

Accessories

Special products

technical data

- supply pressure P1 min.: 0 bar
- supply pressure P1 max.: 16 bar
- temperature range: 0 - 50°C
- bowl: metal bowl with level indicator
- fixing: bayonet catch

accessories

type	part-number	description	price (pre-tax)
BE.2 H c	90002.0223	Bowl metal/visual display closed and o-ring 37,5x2,5	32.32 €

Bowl | BG4

Service 3 unit

Service 2 unit

Filter regulator

Filter

Pressure regulator

Lubricator

System extensions

Accessories

Special products



Image shows:
90004.0200

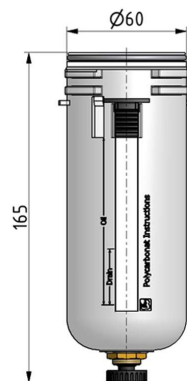


Image shows:
90004.0200

technical data

- supply pressure P1 min.: 1,5 bar
- supply pressure P1 max.: 16 bar
- temperature range: 0 - 50°C
- bowl: PC with PA bowl guard
- drain: HA3
- fixing: bayonet catch

accessories

type	part-number	description	price (pre-tax)
BE.4 HA3	90004.0200	PC bowl with bowl guard, semi automatic drain and o-ring 55x2,5	13.97 €

Bowl | BG4



Image shows:
90004.0201

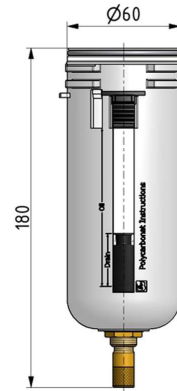


Image shows:
90004.0201

Service 3 unit

Service 2 unit

Filter regulator

Filter

Pressure regulator

Lubricator

System extensions

Accessories

Special products

technical data

- supply pressure P1 min.: 1,5 bar
- supply pressure P1 max.: 16 bar
- temperature range: 0 - 50°C
- bowl: PC with PA bowl guard
- drain: AM NO
- fixing: bayonet catch

accessories

type	part-number	description	price (pre-tax)
BE.4 AM10	90004.0201	PC bowl with bowl guard, automatic drain and o-ring 55x2,5	54.95 €
BE.4 AM10/NC	90004.0205	PC bowl with bowl guard, automatic drain (usually closed) and o-ring 55x2,5	65.98 €

Bowl | BG4

Service 3 unit

Service 2 unit

Filter regulator

Filter

Pressure regulator

Lubricator

System extensions

Accessories

Special products



Image shows:
90004.0220

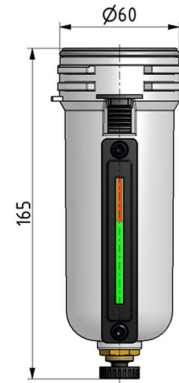


Image shows:
90004.0220

technical data

- supply pressure P1 min.: 1,5 bar
- supply pressure P1 max.: 16 bar
- temperature range: 0 - 50°C
- bowl: metal bowl with level indicator
- drain: HA3
- fixing: bayonet catch

accessories

type	part-number	description	price (pre-tax)
BE.4 H HA3	90004.0220	Bowl metal/visual display with semi automatic drain and o-ring 55x2,5	46.96 €

Bowl | BG4



Image shows:
90004.0221

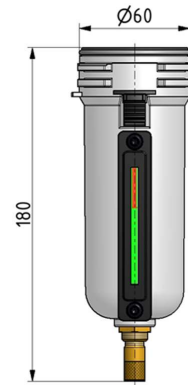


Image shows:
90004.0221

Service 3 unit

Service 2 unit

Filter regulator

Filter

Pressure regulator

Lubricator

System extensions

Accessories

Special products

technical data

- supply pressure P1 min.: 1,5 bar
- supply pressure P1 max.: 16 bar
- temperature range: 0 - 50°C
- bowl: metal bowl with level indicator
- drain: AM NO
- fixing: bayonet catch

accessories

type	part-number	description	price (pre-tax)
BE.4 H AM10	90004.0221	Bowl metal/visual display with automatic drain and o-ring 55x2,5	88.60 €
BE.4 H AM/NC	90004.0225	Bowl metal/visual display with automatic drain (usually closed) and o-ring 55x2,5	99.62 €

Bowl | BG4

Service 3 unit

Service 2 unit

Filter regulator

Filter

Pressure regulator

Lubricator

System extensions

Accessories

Special products



Image shows:
90004.0203

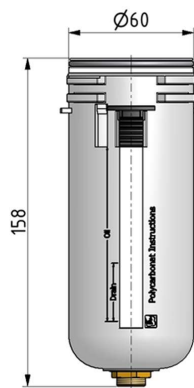


Image shows:
90004.0203

technical data

- supply pressure P1 min.: 0 bar
- supply pressure P1 max.: 16 bar
- temperature range: 0 - 50°C
- bowl: PC with PA bowl guard
- fixing: bayonet catch

accessories

type	part-number	description	price (pre-tax)
BE.4 c	90004.0203	PC bowl closed with bowl guard and o-ring 55x2,5	13.77 €

Bowl | BG4



Image shows:
90004.0223

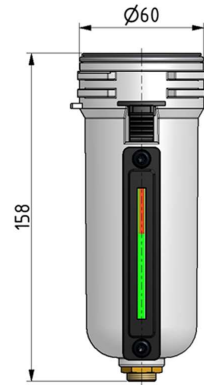


Image shows:
90004.0223

Service 3 unit

Service 2 unit

Filter regulator

Filter

Pressure regulator

Lubricator

System extensions

Accessories

Special products

technical data

- supply pressure P1 min.: 0 bar
- supply pressure P1 max.: 16 bar
- temperature range: 0 - 50°C
- bowl: metal bowl with level indicator
- fixing: bayonet catch

accessories

type	part-number	description	price (pre-tax)
BE.4 H c	90004.0223	Bowl metal/visual display closed and o-ring 55x2,5	46.96 €

Oil bowl | BGO

Service 3 unit

Service 2 unit

Filter regulator

Filter

Pressure regulator

Lubricator

System extensions

Accessories

Special products



Image shows:
9.9900.00.040

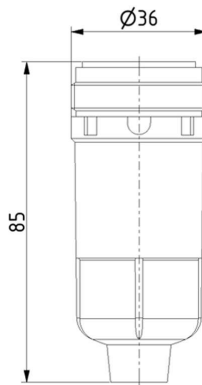


Image shows:
9.9900.00.040

technical data

- supply pressure P1 max.: 12 bar
- temperature range: 0 - 50°C
- bowl: PC
- fixing: screw thread

accessories

type	part-number	description	price (pre-tax)
L.00	9.9900.00.040	PC oil bowl with o-ring 30x2	6.07 €

Oil bowl | BGO



Image shows:
9.9900.00.041



Image shows:
9.9900.00.041

Service 3 unit

Service 2 unit

Filter regulator

Filter

Pressure regulator

Lubricator

System extensions

Accessories

Special products

technical data

- supply pressure P1 max.: 12 bar
- temperature range: 0 - 50°C
- bowl: metal bowl
- fixing: screw thread

accessories

type	part-number	description	price (pre-tax)
L.00 M	9.9900.00.041	Metal oil bowl black with o-ring 30x2	10.81 €

Oil bowl | BG1

Service 3 unit

Service 2 unit

Filter regulator

Filter

Pressure regulator

Lubricator

System extensions

Accessories

Special products



Image shows:
90001.0202

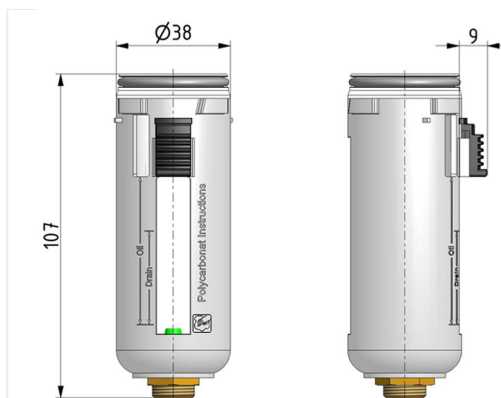


Image shows:
90001.0202

technical data

- supply pressure P1 max.: 16 bar
- temperature range: 0 - 50°C
- bowl: PC with PA bowl guard
- fixing: bayonet catch

accessories

type	part-number	description	price (pre-tax)
BE.1 LUB	90001.0202	PC oil bowl with bowl guard and o-ring 32x2,5	13.52 €

Oil bowl | BG1



Image shows:
90001.0206

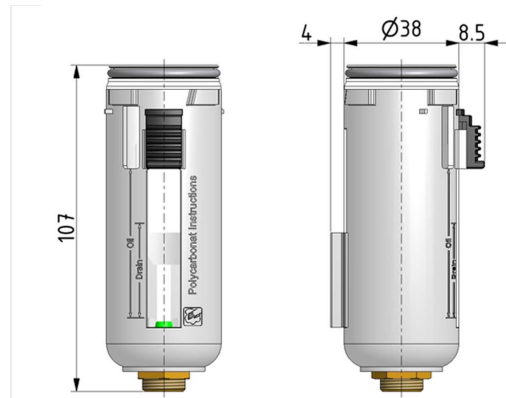


Image shows:
90001.0206

Service 3 unit

Service 2 unit

Filter regulator

Filter

Pressure regulator

Lubricator

System extensions

Accessories

Special products

technical data

- supply pressure P1 max.: 16 bar
- temperature range: 0 - 50°C
- bowl: PC with PA bowl guard and electrical level controle
- fixing: bayonet catch

accessories

type	part-number	description	price (pre-tax)
BE.1 LUB N	90001.0206	PC oil bowl with level sensor, bowl guard and o-ring 32x2,5	87.38 €

Oil bowl | BG1

Service 3 unit

Service 2 unit

Filter regulator

Filter

Pressure regulator

Lubricator

System extensions

Accessories

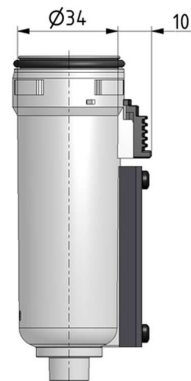
Special products



Image shows:
90001.0222



Image shows:
90001.0222



technical data

- supply pressure P1 max.: 16 bar
- temperature range: 0 - 50°C
- bowl: metal bowl with level indicator
- fixing: bayonet catch

accessories

type	part-number	description	price (pre-tax)
BE.1 H LUB	90001.0222	Oil bowl metal/visual display (light grey) with filling valve and o-ring 32x2,5	28.61 €

Oil bowl | BG2



Image shows:
90002.0202

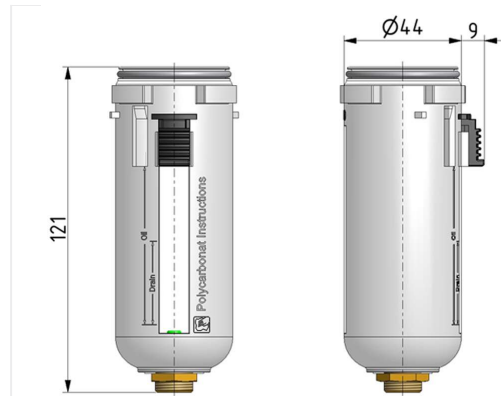


Image shows:
90002.0202

Service 3 unit

Service 2 unit

Filter regulator

Filter

Pressure regulator

Lubricator

System extensions

Accessories

Special products

technical data

- supply pressure P1 max.: 16 bar
- temperature range: 0 - 50°C
- bowl: PC with PA bowl guard
- fixing: bayonet catch

accessories

type	part-number	description	price (pre-tax)
BE.2 LUB	90002.0202	PC oil bowl with bowl guard and o-ring 37,5x2,5	16.90 €

Oil bowl | BG2

Service 3 unit

Service 2 unit

Filter regulator

Filter

Pressure regulator

Lubricator

System extensions

Accessories

Special products



Image shows:
90002.0206

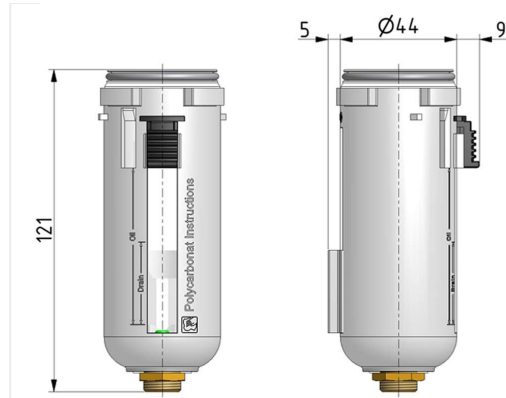


Image shows:
90002.0206

technical data

- supply pressure P1 max.: 16 bar
- temperature range: 0 - 50°C
- bowl: PC with PA bowl guard and electrical level controle
- fixing: bayonet catch

accessories

type	part-number	description	price (pre-tax)
BE.2 LUB N	90002.0206	PC oil bowl with level sensor, bowl guard and o-ring 37,5x2,5	90.77 €

Oil bowl | BG2



Image shows:
90002.0222

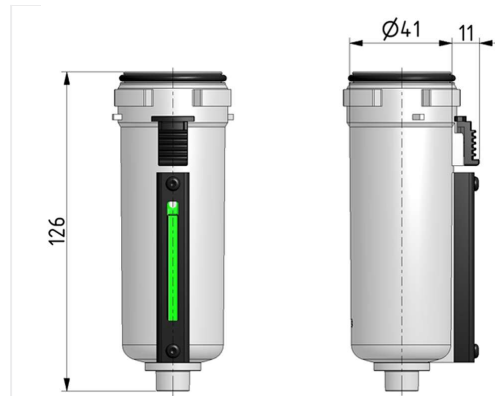


Image shows:
90002.0222

Service 3 unit

Service 2 unit

Filter regulator

Filter

Pressure regulator

Lubricator

System extensions

Accessories

Special products

technical data

- supply pressure P1 max.: 16 bar
- temperature range: 0 - 50°C
- bowl: metal bowl with level indicator
- fixing: bayonet catch

accessories

type	part-number	description	price (pre-tax)
BE.2 H LUB	90002.0222	Oil bowl metal/visual display (light grey) with filling valve and o-ring 37,5x2,5	32.32 €

Oil bowl | BG4

Service 3 unit

Service 2 unit

Filter regulator

Filter

Pressure regulator

Lubricator

System extensions

Accessories

Special products



Image shows:
90004.0202

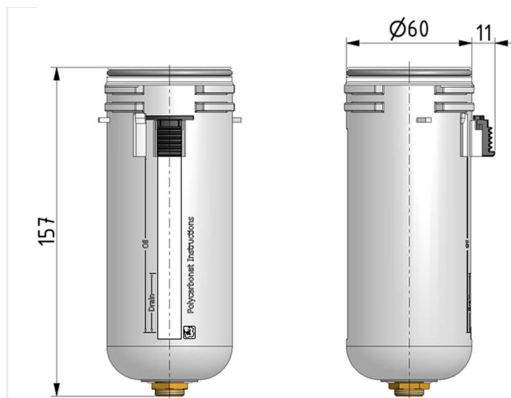


Image shows:
90004.0202

technical data

- supply pressure P1 max.: 16 bar
- temperature range: 0 - 50°C
- bowl: PC with PA bowl guard
- fixing: bayonet catch

accessories

type	part-number	description	price (pre-tax)
BE.4 LUB	90004.0202	PC oil bowl with bowl guard and o-ring 55x2,5	18.75 €

Oil bowl | BG4



Image shows:
90004.0206

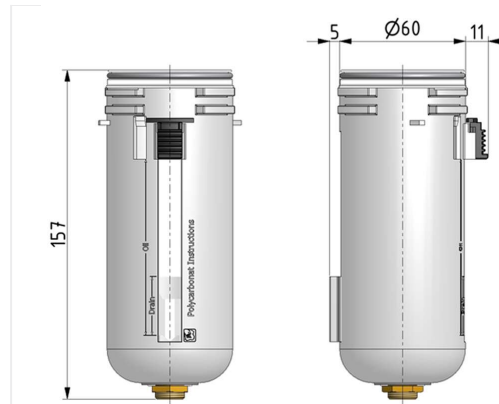


Image shows:
90004.0206

Service 3 unit

Service 2 unit

Filter regulator

Filter

Pressure regulator

Lubricator

System extensions

Accessories

Special products

technical data

- supply pressure P1 max.: 16 bar
- temperature range: 0 - 50°C
- bowl: PC with PA bowl guard and electrical level controle
- fixing: bayonet catch

accessories

type	part-number	description	price (pre-tax)
BE.4 LUB N	90004.0206	PC oil bowl with level sensor, bowl guard and o-ring 55x2,5	93.00 €

Oil bowl | BG4

Service 3 unit

Service 2 unit

Filter regulator

Filter

Pressure regulator

Lubricator

System extensions

Accessories

Special products



Image shows:
90004.0222

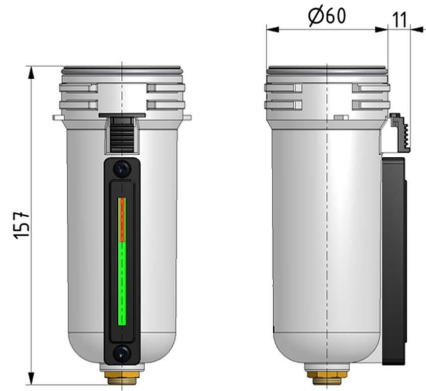


Image shows:
90004.0222

technical data

- supply pressure P1 max.: 16 bar
- temperature range: 0 - 50°C
- bowl: metal bowl with level indicator
- fixing: bayonet catch

accessories

type	part-number	description	price (pre-tax)
BE.4 H LUB	90004.0222	Oil bowl metal/visual display (light grey) with filling valve and o-ring 55x2,5	46.96 €

Differential pressure gauge | BG1, BG2, BG4

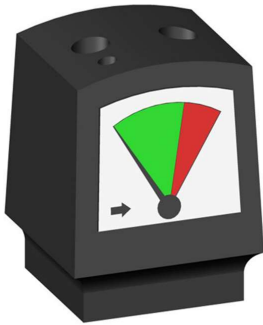


Image shows:
9.3700.00.850

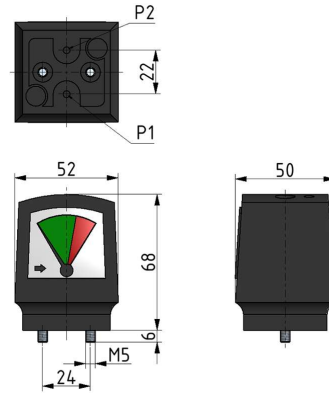


Image shows:
9.3700.00.850

Service 3 unit

Service 2 unit

Filter regulator

Filter

Pressure regulator

Lubricator

System extensions

Accessories

Special products

technical data

- **description:** magnetic piston meter
- **temperature range:** 0 - 60°C
- **mounting:** vertical
- **case:** ULTRAMID plastic, black
- **scales:** white plastic, pressure = black, colour fields = green/red
- **scale range:** 0 - 0,5 bar
- **max. working pressure:** 16 bar

accessories

type	part-number	description	price (pre-tax)
DM 2	9.3700.00.850	Differential pressure gauge scale ranges: 0-0,5bar	86.38 €

Differential pressure gauge DM 2 D | BG1, BG2, BG4

Service 3 unit

Service 2 unit

Filter regulator

Filter

Pressure regulator

Lubricator

System extensions

Accessories

Special products



Image shows:
9.3700.00.851

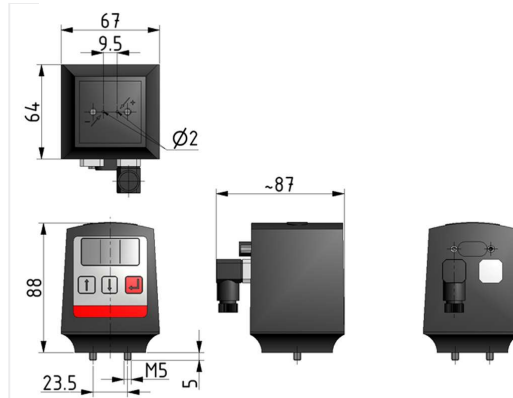


Image shows:
9.3700.00.851

technical data

- **temperature range:** 0 - 60°C
- **mounting:** vertical
- **max. working pressure:** 16 bar
- **supply voltage:** 8 ... 15 V DC, 12 ... 24 V DC
- **average current drain:** circa 300 mA
- **connecting plug:** Hirschmann G30 W 3 F or rather 3,2 mm blade terminal
- **measuring zone:** 0,1 ... 1,0 bar, <0,1 bar display "Lo", >1 bar display "Hi"
- **calibration:** 0,35 bar
- **data logging:** all 0,1 second
- **update display:** all 5 second (averaging)
- **working range of pressure:** 2 - 16 bar
- **durability:** 1 .. 24 month - factory settings: 12 month
- **critical differential pressure:** 0,10 ... 1,00 bar - factory settings: 0,35 bar
- **pressure blow control:** on / off - factory settings: on
- **semantics:** bar / PSI - factory settings: bar
- **1. dry contact:** changeover contact (normally opened / closed), max. voltage: 220V DC / 250V AC, max. switching circuit: 1A, max. breaking capacity: 30W DC / 60VA AC, connecting plug: Hirschmann G 30W 3 F or rather 3,2 mm blade terminal
- **2. serial interface:** RS485 ASCII standard, connecting plug: 9-pin sub-D connector

accessories

type	part-number	description	price (pre-tax)
DM 2 D	9.3700.00.851	Differential pressure gauge with two colour LED display, freely adjustable switch contact and serial interface, supply unit voltage 24 V	544.73 €

Pressure switch | BG1, BG2, BG4



Image shows:
9.90XX.00.005

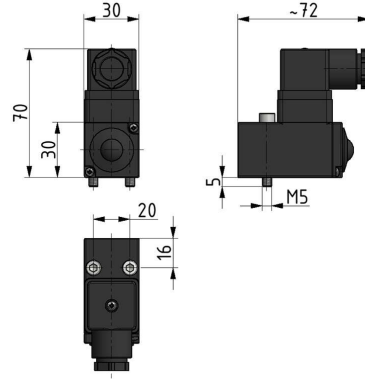


Image shows:
9.90XX.00.005

technical data

- **description:** diaphragm pressure switch
- **medium:** air, non corrosive gases fluids
- **temperature range:** -10°C - +80°C
- **protection class:** IP 65
- **electrical connection:** plug connection DIN 43650, form A
- **max. working pressure:** 0,5 - 10 bar (overpressure 80 bar)
- **switch difference:** 4% - 10%
- **switching element:** micro switch, one pole change
- **switch function at regulation value:** connect 1 - 3 contact normally closed; 1 - 2 contact normally open

accessories

type	part-number	description	price (pre-tax)
PE.10	9.90XX.00.005	Pressure switch flange connection, 0,5-10 bar	95.27 €

Service 3 unit

Service 2 unit

Filter regulator

Filter

Pressure regulator

Lubricator

System extensions

Accessories

Special products

Pressure switch | BGO

Service 3 unit

Service 2 unit

Filter regulator

Filter

Pressure regulator

Lubricator

System extensions

Accessories

Special products



Image shows:
9.901X.00.011

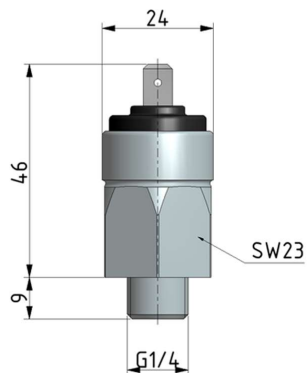


Image shows:
9.901X.00.011

technical data

- **description:** diaphragm, spring loaded
- **medium:** air, non corrosive gases fluids
- **temperature range:** -30°C - +130°C
- **protection class:** IP 65, connect IP 00 DIN 40050
- **max. working pressure:** 1 - 10 bar (overpressure 100 bar)
- **Version:** usually opened
- **switch difference:** 10% - 15%
- **switching element:** contacts, silver plated
- **switch power:** 100 VA; 42 V; 2 A; 200/min

accessories

type	part-number	description	price (pre-tax)
PE.110	9.901X.00.011	Pressure switch G1/4, 1-10 bar with protection cap (usually opened)	51.71 €
PE.111	9.901X.00.013	Pressure switch G1/4, 1-10 bar with protection cap (usually closed)	51.71 €

Pressure switch | --

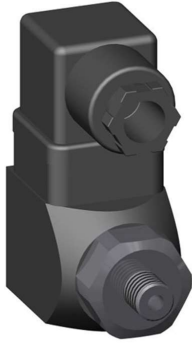


Image shows:
9.900X.00.004

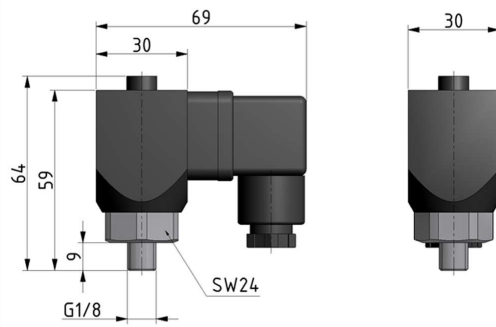


Image shows:
9.900X.00.004

Service 3 unit

Service 2 unit

Filter regulator

Filter

Pressure regulator

Lubricator

System extensions

Accessories

Special products

technical data

- **description:** diaphragm, spring loaded
- **medium:** air, non corrosive gases fluids
- **temperature range:** -25°C - +85°C
- **protection class:** IP 65, connect IP 00 DIN 40050
- **max. working pressure:** 1 - 10 bar (overpressure 20 bar)
- **switch difference:** 15% - 25%
- **switching element:** micro switch, one pole change

accessories

type	part-number	description	price (pre-tax)
PE.210	9.900X.00.004	Pressure switch G1/8, 1-10 bar	88.21 €

Pressure switch | --

Service 3 unit

Service 2 unit

Filter regulator

Filter

Pressure regulator

Lubricator

System extensions

Accessories

Special products



Image shows:
9.900X.00.006

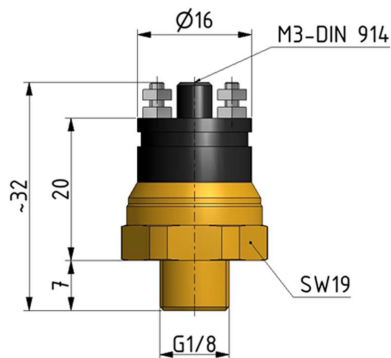


Image shows:
9.900X.00.006

technical data

- **description:** diaphragm, spring loaded
- **medium:** compressed air
- **temperature range:** -30°C - +130°C
- **protection class:** IP 00, protection cap IP 65
- **max. working pressure:** 1 - 10 bar (protected against overpressure to 15 bar)
- **Version:** usually opened
- **switch difference:** 10% - 15%
- **switching element:** contacts, silver plated
- **switch power:** 100 VA; 24 V

accessories

type	part-number	description	price (pre-tax)
PE.310	9.900X.00.006	Pressure switch G1/8, 1-10 bar with protection cap	35.00 €

Filter silencer | --



Image shows:
9.4033.00.700

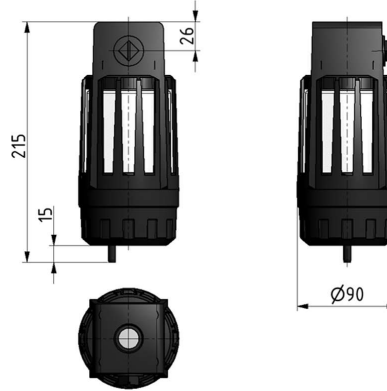
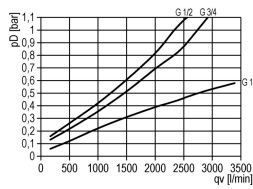


Image shows:
9.4033.00.700

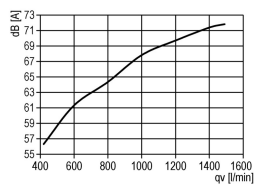
Service 3 unit

Service 2 unit

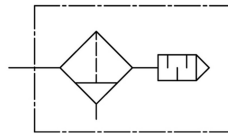
flow characteristic



noise expansion



symbol



Filter regulator

Filter

technical data

- **description:** 3 graduated coalescence filter
- **supply pressure P1 max.:** 10 bar
- **temperature range:** 0 - 60°C
- **drain:** overflow for tube diameter inside Ø6
- **mounting:** vertically, connection thread on the top and on the side
- **residual oil concent:** 0,01 mg/m³
- **filter efficiency:** 99,99%
- **reduction of noise:** circa 40 dB (A) (at P1 = 5 bar; Q = 2000 l/min and 1 m distance)
- **filter change:** min. once in a year

accessories

- Befestigungswinkel
BFSD.55-3

Pressure regulator

Lubricator

System extensions

Accessories

Special products

type	part-number	description	price (pre-tax)
FSD.33	9.4033.00.700	Filter silencer G1/2	85.89 €
FSD.34	9.4034.00.700	Filter silencer G3/4	91.46 €

Filter silencer | --

- Service 3 unit
- Service 2 unit
- Filter regulator
- Filter
- Pressure regulator
- Lubricator
- System extensions
- Accessories
- Special products



Image shows:
9.4055.00.700

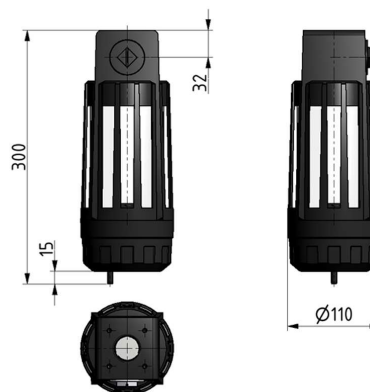
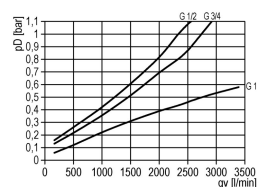
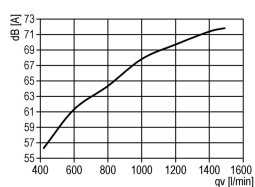


Image shows:
9.4055.00.700

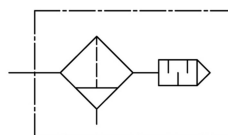
flow characteristic



noise expansion



symbol



technical data

- **description:** 3 graduated coalescence filter
- **supply pressure P1 max.:** 10 bar
- **temperature range:** 0 - 60°C
- **drain:** overflow for tube diameter inside ø6
- **mounting:** vertically, connection thread on the top and on the side
- **residual oil concent:** 0,01 mg/m³
- **filter efficiency:** 99,99%
- **reduction of noise:** circa 40 dB (A) (at P1 = 5 bar; Q = 2000 l/min and 1 m distance)
- **filter change:** min. once in a year

accessories

- Befestigungswinkel
BFSD.55-3

type	part-number	description	price (pre-tax)
FSD.55	9.4055.00.700	Filter silencer G1	145.32 €

Automatic drain | --

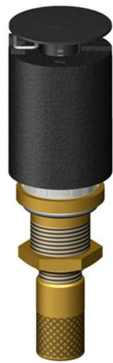


Image shows:
9.3600.00.410/NC

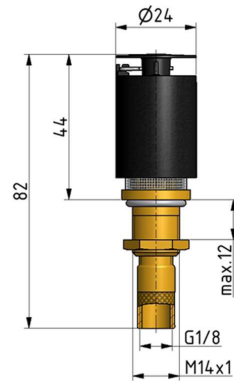


Image shows:
9.3600.00.410/NC

symbol



technical data

- **description:** float handled condensate drain (no bleed pressureless)
- **supply pressure P1 min.:** 1,5 bar
- **supply pressure P1 max.:** 16 bar
- **temperature range:** 0 - 50°C
- **fixing:** located within condensate bowl
- **mounting shaft:** $\varnothing 14$ mm
- **discharge connection:** G 1/8
- **function without pressure:** (P1 0 bar) valve closed

accessories

type	part-number	description	price (pre-tax)
AM 10 NC	9.3600.00.410/NC	Automatic drain, p1= 1,5-16bar, usually closed	51.71 €
AM 10	9.3600.00.410/V	Automatic drain, p1= 1,5-16bar	40.69 €

Service 3 unit

Service 2 unit

Filter regulator

Filter

Pressure regulator

Lubricator

System extensions

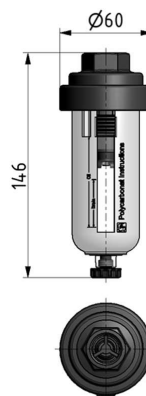
Accessories

Special products

Condensate steam trap | BG2

Service 3 unit

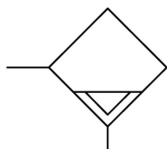
Service 2 unit

Image shows:
93602.E000Image shows:
93602.E000

Filter regulator

Filter

symbol



Pressure regulator

Lubricator

System extensions

technical data

- **description:** condensation drain with auto drain
- **medium:** compressed air, neutral gases
- **supply pressure P1 min.:** 1,5 bar
- **supply pressure P1 max.:** 16 bar
- **bowl:** PC with PA bowl guard
- **drain:** HA
- **mounting:** vertical, drain down
- **fixing:** install in pipe line

accessories

Accessories

Special products

type	part-number	description	price (pre-tax)
KA-212 HA4	93602.E000	Condensate steam trap G1/2 with PC bowl, bowl guard and semi automatic drain	22.13 €
KA-212 AM10	93602.E001	Condensate steam trap G1/2 with PC bowl, bowl guard and automatic drain	61.85 €
KA-212 AM/NC	93602.E002	Condensate steam trap G1/2 with PC bowl, bowl guard and automatic drain (usually closed)	72.88 €
KA-212 H AM10	93602.E003	Condensate steam trap G1/2 with metal bowl and automatic drain	95.57 €
KA-212 H AM/NC	93602.E004	Condensate steam trap G1/2 with metal bowl and automatic drain (usually closed)	98.08 €
KA-212 H HA4	93602.E005	Condensate steam trap G1/2 with metal bowl and semi automatic drain	48.38 €

Central filter lubricator unit | --



Image shows:
9.2455.00.000

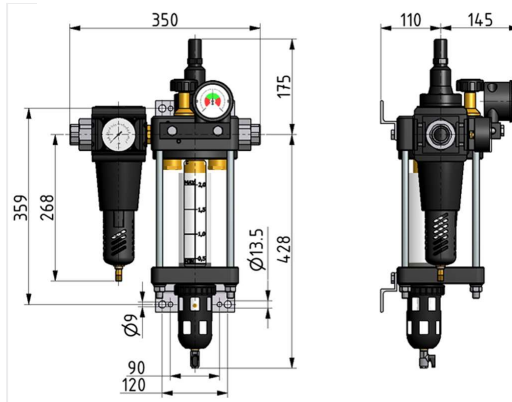


Image shows:
9.2455.00.000

Service 3 unit

Service 2 unit

Filter regulator

Filter

Pressure regulator

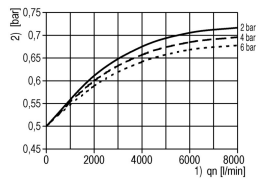
Lubricator

System extensions

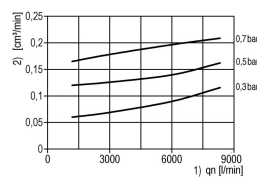
Accessories

Special products

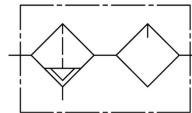
flow characteristic



oil mist activation



symbol



technical data

- **description:** differential pressure regulated central-lubricator
- **supply pressure P1 max.:** 10 bar
- **temperature range:** 0 - 60°C
- **mounting:** vertical, drain down
- **fixing:** install in pipe line, mounting bracket
- **operating differential pressure area:** 0,3 - 1 bar
- **recommended operating differential pressure area:** 0,5 bar
- **bowl volume:** 2 l
- **flow range:** 80 - 7000 l/min
- **recommended oil viscosity:** 32 c St / 40°C
- **kind of oil:** CL 32 DIN 51517 - ISO VG 32
- **grade of filtration of prefilter:** 40 µm (absolutely)
- **oil most particle size:** 0,3 - 2 µm

accessories

- **mounting bracket:** [ZFL_55-22](#)
- **condensation drain:** [KA-212](#) + [AM10](#)
- **fine filter silencer:** [FSD.33](#) + [FSD.34](#) + [FSD.55](#)

type	part-number	description	price (pre-tax)
ZFL.55	9.2455.00.000	Central filter lubricator unit G1	3980,41 €

Central filter lubricator unit | --

- Service 3 unit
- Service 2 unit
- Filter regulator
- Filter
- Pressure regulator
- Lubricator
- System extensions
- Accessories
- Special products



Image shows:
9.2488.00.000

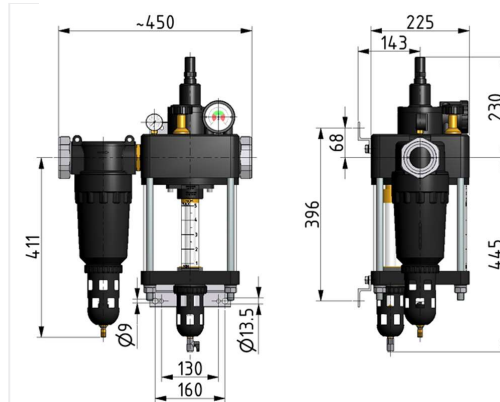
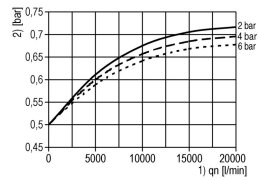
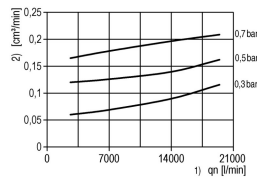


Image shows:
9.2488.00.000

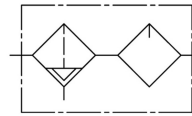
flow characteristic



oil mist activation



symbol



technical data

- **description:** differential pressure regulated central-lubricator
- **supply pressure P1 max.:** 10 bar
- **temperature range:** 0 - 60°C
- **mounting:** vertical, drain down
- **fixing:** install in pipe line, mounting bracket
- **operating differential pressure area:** 0,3 - 1 bar
- **recommended operating differential pressure area:** 0,5 bar
- **bowl volume:** 5 l
- **flow range:** 250 - 20000 l/min
- **recommended oil viscosity:** 32 c St / 40°C
- **kind of oil:** CL 32 DIN 51517 - ISO VG 32
- **grade of filtration of prefilter:** 60 µm (absolutely)
- **oil mist particle size:** 0,3 - 2 µm

accessories

- **mounting bracket:** [ZFL.88-34](#)



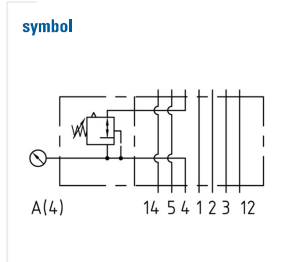
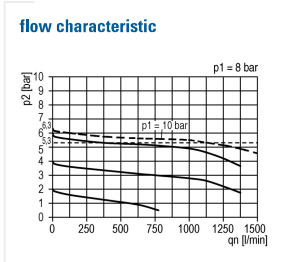
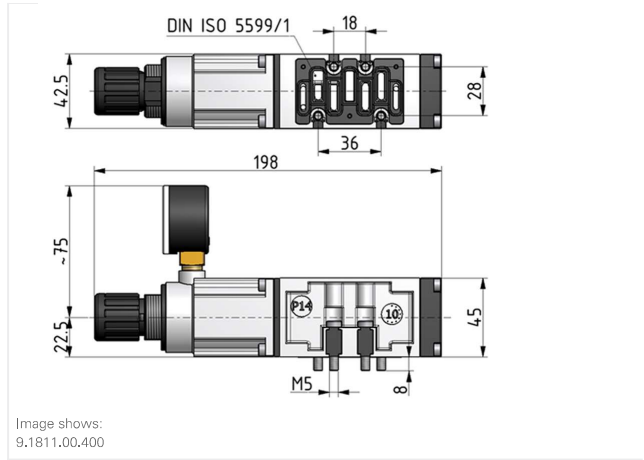
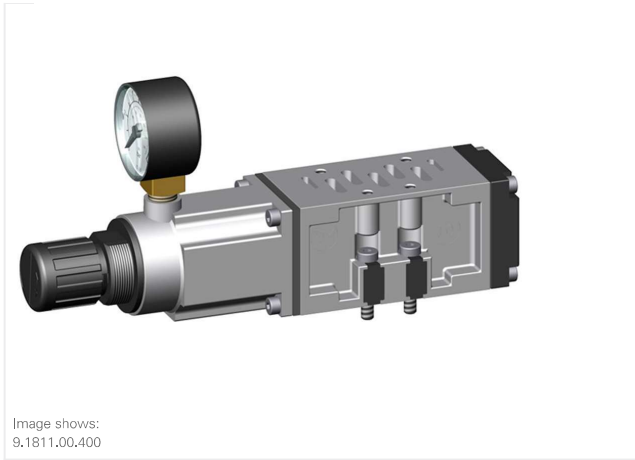
- **condensation drain:** [KA-212](#)
[AM10](#)



- **fine filter silencer:** [FSD.33](#) +
[FSD.34](#) + [FSD.55](#)

type	part-number	description	price (pre-tax)
ZFL.88	9.2488.00.000	Central filter lubricator unit G2	8872.44 €
ZFL.88 N	9.2488.00.002	Central filter lubricator unit G2 with electrical level controle, without switching electronics	10000.00 €

Regulator plate ISO | ISO 1



technical data

- **description:** air line regulator with diaphragm and relieving feature
- **supply pressure P1 max.:** 16 bar
- **temperature range:** 0 - 50°C
- **fixing:** about connection plate
- **series:** ISO 1
- **regulation:** A
- **port size:** regulation on 4 according to VDMA 24563

accessories

- gauge on the back
- gauge vertical: [G 40.10/16 S](#)
- adapter for gauge with rear connection: ISO.1-12

type	part-number	description	price (pre-tax)
ISO.1 A	9.1811.00.400	Regulator plate ISO.1 (regulating at 4) 0,5-12	172.88 €
ISO.1 A GS	9.1811.00.401	Regulator plate ISO.1 (regulating at 4) 0,5-12 with gauge G 40.10/16 S	182.97 €
ISO.1 B	9.1811.00.600	Regulator plate ISO.1 (regulating at 2) 0,5-12	172.88 €
ISO.1 AB	9.1811.00.800	Regulator plate ISO.1 (regulating at 4/2) 0,5-12	229.34 €

- Service 3 unit
- Service 2 unit
- Filter regulator
- Filter
- Pressure regulator
- Lubricator
- System extensions
- Accessories
- Special products**

Regulator plate ISO | ISO 1

Service 3 unit

Service 2 unit

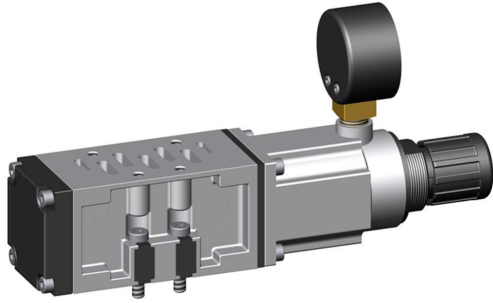


Image shows:
9.1811.00.000

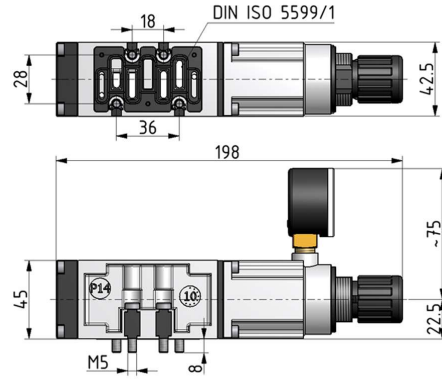
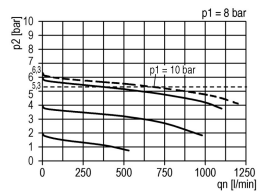


Image shows:
9.1811.00.000

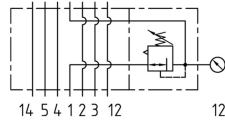
Filter regulator

Filter

flow characteristic



symbol



Pressure regulator

Lubricator

technical data

- **description:** air line regulator with diaphragm and relieving feature
- **supply pressure P1 max.:** 16 bar
- **temperature range:** 0 - 50°C
- **fixing:** about connection plate
- **series:** ISO 1
- **regulation:** P 12
- **port size:** regulation on 12 according to VDMA 24563

accessories

- gauge on the back



- gauge vertical: [G 40.10/16 S](#)

- adapter for gauge with rear connection: ISO.1-12

System extensions

Accessories

Special products

type	part-number	description	price (pre-tax)
ISO.1 P12	9.1811.00.000	Regulator plate ISO.1 (regulating at 1) 0,5-12	137.44 €
ISO.1 P12 G	9.1811.00.001	Regulator plate ISO.1 (regulating at 1) 0,5-12 with gauge G 40.10/16 S	147.53 €
ISO.1 P14	9.1811.00.200	Regulator plate ISO.1 (regulating at 1) 0,5-12	172.88 €

Volumetric flow meter | BG2



Image shows:
94062.0080

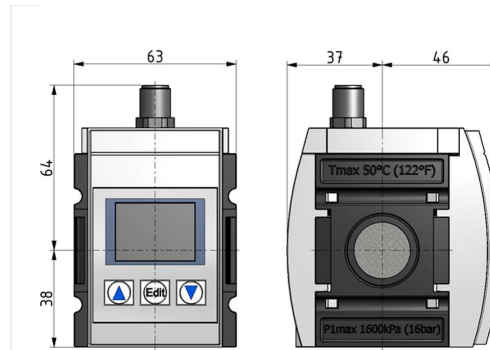


Image shows:
94062.0080

Service 3 unit

Service 2 unit

Filter regulator

Filter

Pressure regulator

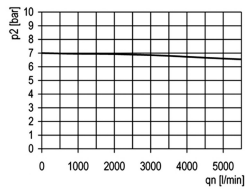
Lubricator

System extensions

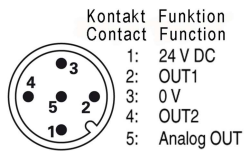
Accessories

Special products

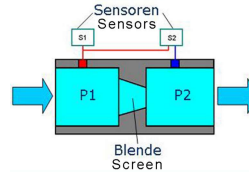
flow characteristic



plug assignment



symbol

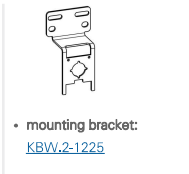


technical data

- **description:** flow sensor
- **medium:** compressed air, neutral gases
- **supply pressure P1 max.:** 16 bar
- **temperature range:** 0 - 50°C
- **voltage:** 24 V =
- **el. power (d.c. voltage):** 1 - 2,5 W
- **el. power (a.c. voltage):** 3 VA
- **protection class:** IP 65 according to DIN 40050
- **electrical connection:** M12x1 5-pins
- **2 switching outputs:** PNP / NPN
- **air quality class:** 5:4:3 according to ISO 8573-1 : 2010

accessories

- **coupling kit wall mounting:** G 3/8 (KOP-238K); G 1/2 (KOP-212K); G 3/4 (KOP-234K)



- **mounting bracket:** [KBW.2-1225](#)

- **angled line socket:** M12x1 5-pins with injection moulded cable 5 m ZG.0-251

- **analysis package DDM-2**

type	part-number	description	price (pre-tax)
KDDM-2	94062.0080	Volumetric flow meter Q: 200-5000 l/min, 0-10 V	872.03 €
KDDM-2	94062.0081	Volumetric flow meter Q: 150-2000 l/min, 0-10 V	872.03 €
KDDM-2	94062.0082	Volumetric flow meter Q: 200-5000 l/min, 4-20 mA	872.03 €
KDDM-2	94062.0083	Volumetric flow meter Q: 150-2000 l/min, 4-20 mA	872.03 €

KNOCKS

Manufacturer competence
for filter, lubricator and
regulator technology in
compressed-air conditioning.

www.knocks.de

Our two further product series for even more solutions to problems.

MULTI-FIX

FIT FOR MAXIMUM PERFORMANCE

Peak performance and up-to-date handling advantages are incisive characteristics of the Multi-Fix series.

- High temperature stability
- Patented modular system
- Material: die-cast zinc

Multi-Fix series

Weight = medium
Modularity = high
Temperature stability = -25 °C (optionally possible: -40 °C) to +60 °C
Pressure monitoring = possible
Micro-filter monitoring = partially possible



More in the Internet at: www.knocks.de

STANDARD

FOR THE TOUGHEST REQUIREMENTS

Robust, solid and extremely tough, the Standard series has proven itself in tough everyday practice.

- Ideal for high pressure ranges
- Ideal for large dimensions (up to 3 inches) and higher flow rate volumes
- High shock resistance
- Material: die-cast zinc, die-cast aluminium

Standard series

Weight = high
Modularity = not available
Temperature stability = -25 °C to +60 °C
Pressure monitoring = possible
Feinstfilterüberwachung = not possible



More in the Internet at: www.knocks.de

Meets the highest requirements. Guaranteed.

QUALITY THAT LIVES UP TO WHAT WE PROMISE.

In the face of increasing globalisation, quality and quality assurance have taken on a new significance. And at KNOCKS, you can count on the following:

- Receiving inspections with computer-assisted optical measurement and error analysis
- Fully automatic functional and leakage testing with statistic evaluation of the test data
- The company is certified according to DIN ISO 9001:2000

We test the quality of our products using a stringent system which allows us to guarantee the continuous quality of our products to our customers. Always proper, always honest – and always official.

And everything is made in Germany! This allows us to maintain full control over all development and manufacturing steps in accordance with German and European standards. This has been our quality promise for 40 years!

In the modern high-rack warehouse system, everything is oriented on the reliable processing of your orders. Some 3,100 pallet spaces and 7,000 storage spaces for smaller parts ensure fast and continual availability. Whatever you need – we always have it ready for delivery!



Reg.-Nr.:
062319 QM



Quality management: with fingertip instincts.



Our warehouse: designed for the quickest delivery.

Special developments, custom-made in Germany.

YOUR REQUIREMENTS ARE OUR STANDARD.

Do you have a problem that requires a special solution? Simply delegate this task to our developers! Our high-performance engineering team can design innovative technologies for you which are guaranteed to be 100% compatible with your requirements.

We build on comprehensive expertise in developing forward-looking series and patented technologies.

- Well-founded expertise in the 3-D area
- State-of-the-art CAD systems

This allows your requirements to quickly take shape.



Our engineering department: always state-of-the-art.

Your desired KNOCKS product? The Finder in the Internet knows all of them.

BETTER A QUICK FIND THAN A LENGTHY SEARCH.

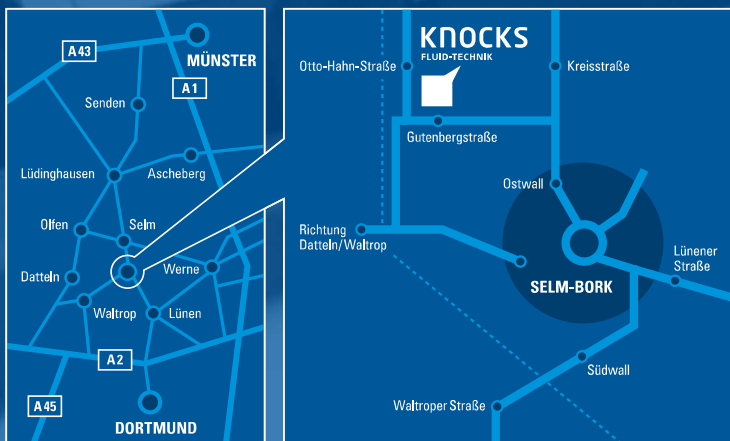
In just a few clicks you, you can find the devices you need for compressed-air conditioning in the Internet. At our address www.knocks.de you can activate our new selection tool in the main navigation bar under the point "Productfinder".

By answering the list of questions in a targeted manner, the hit list can be refined. The corresponding data sheet can be generated from this hit list (taking the gross price into account). A contact form for special solutions rounds off our complete solution for all possible customer requests.



Naturally, you can also find all Futura products online.

Always
one idea
ahead.



KNOCKS Fluid-Technik GmbH
Otto-Hahn-Straße 4
59379 Selm | Germany

Tel. +49 (0) 2592 966 - 0
Fax +49 (0) 2592 966 - 600
E-mail info@knocks.de

www.knocks.de