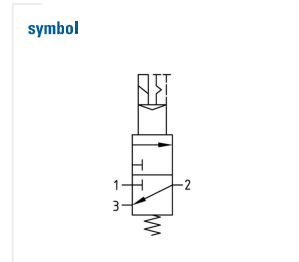
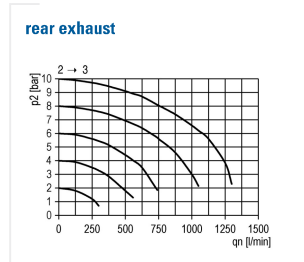
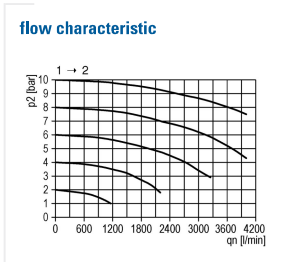
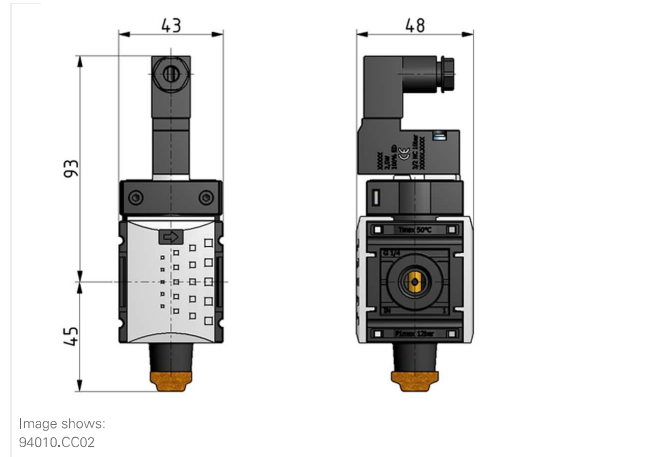
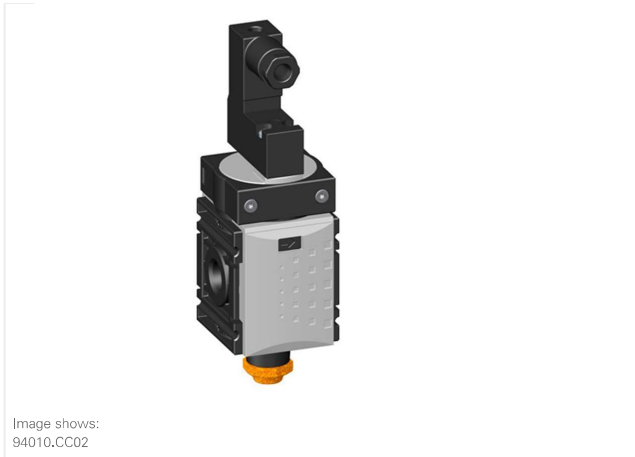


3/2 directional control valve | BGO



technical data

- **description:** 3/2 poppet valve
- **medium:** compressed air, neutral gases
- **supply pressure P1 min.:** 2 bar
- **supply pressure P1 max.:** 10 bar
- **temperature range:** 0 - 50°C
- **input signal:** 24V=
- **exhaust:** G 1/4
- **relative switch on duration:** 100%
- **capacity:** 2,5 W
- **protection class:** IP 65 according to DIN 40050
- **electrical connection:** socket coupling EN 175301-803, form C / ISO 15217 poles 2+PE (included in scope of delivery)

accessories

• **mounting bracket:**
[KBW.0-1225](#)

• **coupling kit wall mounting:**
[KKOP.0W](#)

type	part-number	description	price (pre-tax)
KSOV-014/24	94010.CC02	3/2 Directional control valve G1/4 electric operated 24V=	76.77 €
KSOV-014/115	94010.CC03	3/2 Directional control valve G1/4 electric operated 115V/50Hz	76.77 €
KSOV-014/230	94010.CC04	3/2 Directional control valve G1/4 electric operated 230V/50Hz	76.77 €
KSOV-014/C	94010.CC05	3/2 Directional control valve G1/4 with CNOMO adapter	55.47 €
KSOV-014/24	94010.CC06	3/2 Directional control valve G1/4 electric operated 24V/50Hz	76.77 €
KSOV-014 I	94010.CC10	3/2 Directional control valve G1/4 pneumatic operated	47.10 €

- Service 3 unit
- Service 2 unit
- Filter regulator
- Filter
- Pressure regulator
- Lubricator
- System extensions
- Accessories
- Special products

3/2 directional control valve | BG1

Service 3 unit

Service 2 unit



Image shows:
94011.CC02

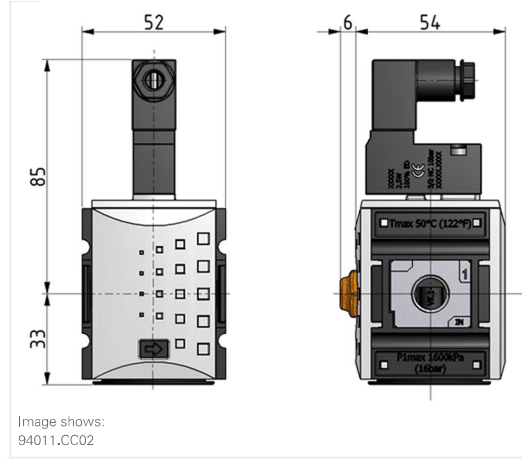
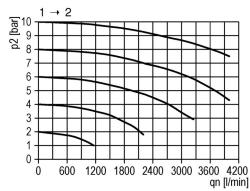


Image shows:
94011.CC02

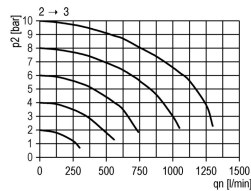
Filter regulator

Filter

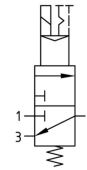
flow characteristic



rear exhaust



symbol



Pressure regulator

Lubricator

technical data

- **description:** 3/2 poppet valve
- **medium:** compressed air, neutral gases
- **supply pressure P1 min.:** 2 bar
- **supply pressure P1 max.:** 10 bar
- **temperature range:** 0 - 50°C
- **input signal:** 24V=
- **exhaust:** G 1/4
- **relative switch on duration:** 100%
- **capacity:** 2,5 W
- **protection class:** IP 65 according to DIN 40050
- **electrical connection:** socket coupling EN 175301-803, form C / ISO 15217 poles 2+PE (included in scope of delivery)

accessories



- **mounting bracket:**
[KBW.1-1225](#)



- **coupling kit wall mounting:**
[KKOP.1W](#)

System extensions

Accessories

Special products

type	part-number	description	price (pre-tax)
KSOV-114/24	94011.CC02	3/2 Directional control valve G1/4 electric operated 24V=	87.75 €
KSOV-114/115	94011.CC03	3/2 Directional control valve G1/4 electric operated 115V/50Hz	87.75 €
KSOV-114/230	94011.CC04	3/2 Directional control valve G1/4 electric operated 230V/50Hz	87.75 €
KSOV-114/C	94011.CC05	3/2 Directional control valve G3/8 with CNOMO adapter	66.03 €
KSOV-114/24	94011.CC06	3/2 Directional control valve G1/4 electric operated 24V/50Hz	87.75 €
KSOV-114 I	94011.CC10	3/2 Directional control valve G1/4 pneumatic operated	53.84 €
KSOV-138/24	94011.DD02	3/2 Directional control valve G3/8 electric operated 24V=	87.75 €
KSOV-138/115	94011.DD03	3/2 Directional control valve G3/8 electric operated 115V/50Hz	87.75 €
KSOV-138/230	94011.DD04	3/2 Directional control valve G3/8 electric operated 230V/50Hz	87.75 €
KSOV-138/C	94011.DD05	3/2 Directional control valve G3/8 with CNOMO adapter	66.03 €
KSOV-138/24	94011.DD06	3/2 Directional control valve G3/8 electric operated 24V/50Hz	87.75 €
KSOV-138 I	94011.DD10	3/2 Directional control valve G3/8 pneumatic operated	53.84 €

Service 3 unit

Service 2 unit

Filter regulator

Filter

Pressure regulator

Lubricator

System extensions

Accessories

Special products

3/2 directional control valve | BG2

Service 3 unit

Service 2 unit



Image shows:
94012.DD02

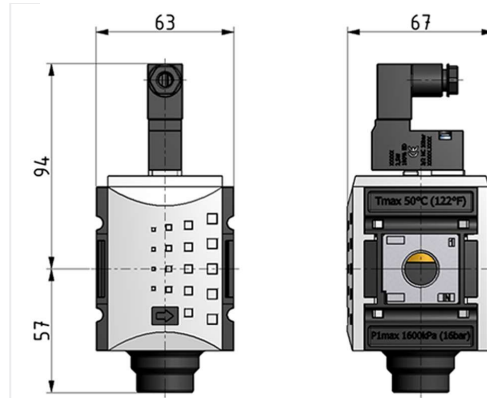
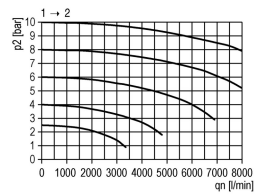


Image shows:
94012.DD02

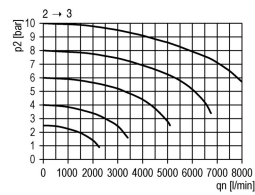
Filter regulator

Filter

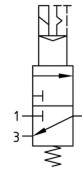
flow characteristic



rear exhaust



symbol



Pressure regulator

Lubricator

System extensions

Accessories

Special products

technical data

- **description:** 3/2 poppet valve
- **medium:** compressed air, neutral gases
- **supply pressure P1 min.:** 2 bar
- **supply pressure P1 max.:** 10 bar
- **temperature range:** 0 - 50°C
- **input signal:** 24V=
- **exhaust:** G 1/2
- **relative switch on duration:** 100%
- **capacity:** 2,5 W
- **protection class:** IP 65 according to DIN 40050
- **electrical connection:** socket coupling EN 175301-803, form C / ISO 15217 poles 2+PE (included in scope of delivery)

accessories



- **mounting bracket:**
[KBW.2-1225](#)



- **coupling kit wall mounting:**
[KKOP.2W](#)

type	part-number	description	price (pre-tax)
KSOV-238/24	94012.DD02	3/2 Directional control valve G3/8 electric operated 24V=	99.99 €
KSOV-238/115	94012.DD03	3/2 Directional control valve G3/8 electric operated 115V/50Hz	99.99 €
KSOV-238/230	94012.DD04	3/2 Directional control valve G3/8 electric operated 230V/50Hz	99.99 €
KSOV-238/C	94012.DD05	3/2 Directional control valve G3/8 with CNOMO adapter	78.27 €
KSOV-238/24	94012.DD06	3/2 Directional control valve G3/8 electric operated 24V/50Hz	99.99 €
KSOV-238 I	94012.DD10	3/2 Directional control valve G3/8 pneumatic operated	83.77 €
KSOV-212/24	94012.EE02	3/2 Directional control valve G1/2 electric operated 24V=	99.99 €
KSOV-212/115	94012.EE03	3/2 Directional control valve G1/2 electric operated 115V/50Hz	99.99 €
KSOV-212/230	94012.EE04	3/2 Directional control valve G1/2 electric operated 230V/50Hz	99.99 €
KSOV-212/C	94012.EE05	3/2 Directional control valve G1/2 with CNOMO adapter	78.27 €
KSOV-212/24	94012.EE06	3/2 Directional control valve G1/2 electric operated 24V/50Hz	99.99 €
KSOV-212 I	94012.EE10	3/2 Directional control valve G1/2 pneumatic operated	83.77 €

Service 3 unit

Service 2 unit

Filter regulator

Filter

Pressure regulator

Lubricator

System extensions

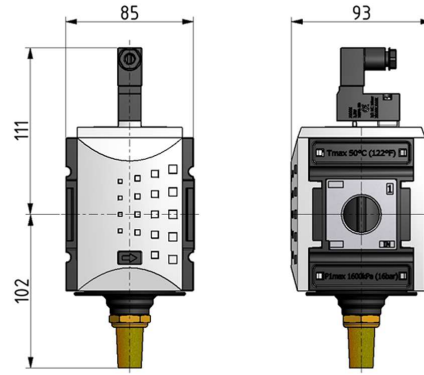
Accessories

Special products

3/2 directional control valve | BG4

Service 3 unit

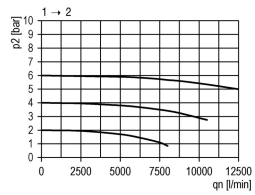
Service 2 unit

Image shows:
94014.FF02Image shows:
94014.FF02

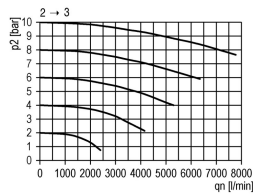
Filter regulator

Filter

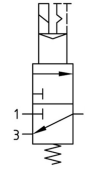
flow characteristic



rear exhaust



symbol



Pressure regulator

Lubricator

System extensions

Accessories

Special products

technical data

- **description:** 3/2 poppet valve
- **medium:** compressed air, neutral gases
- **supply pressure P1 min.:** 2 bar
- **supply pressure P1 max.:** 10 bar
- **temperature range:** 0 - 50°C
- **input signal:** 24V=
- **exhaust:** G 1/2
- **relative switch on duration:** 100%
- **capacity:** 2,5 W
- **protection class:** IP 65 according to DIN 40050
- **electrical connection:** socket coupling EN 175301-803, form C / ISO 15217 poles 2+PE (included in scope of delivery)

accessories



- **mounting bracket:**
[KBW.4-1225](#)



- **coupling kit wall mounting:**
[KKOP.4W](#)

type	part-number	description	price (pre-tax)
KSOV-434/24	94014.FF02	3/2 Directional control valve G3/4 electric operated 24V=	196.99 €
KSOV-434/115	94014.FF03	3/2 Directional control valve G3/4 electric operated 115V/50Hz	196.99 €
KSOV-434/230	94014.FF04	3/2 Directional control valve G3/4 electric operated 230V/50Hz	196.99 €
KSOV-434/C	94014.FF05	3/2 Directional control valve G3/4 with CNOMO adapter	175.69 €
KSOV-434/24	94014.FF06	3/2 Directional control valve G3/4 electric operated 24V/50Hz	196.99 €
KSOV-434 I	94014.FF10	3/2 Directional control valve G3/4 pneumatic operated	159.75 €
KSOV-41/24	94014.GG02	3/2 Directional control valve G1 electric operated 24V=	196.99 €
KSOV-41/115	94014.GG03	3/2 Directional control valve G1 electric operated 115V/50Hz	196.99 €
KSOV-41/230	94014.GG04	3/2 Directional control valve G1 electric operated 230V/50Hz	196.99 €
KSOV-41/C	94014.GG05	3/2 Directional control valve G1 with CNOMO adapter	175.69 €
KSOV-41/24	94014.GG06	3/2 Directional control valve G1 electric operated 24V/50Hz	196.99 €
KSOV-41 I	94014.GG10	3/2 Directional control valve G1 pneumatic operated	159.75 €

Service 3 unit

Service 2 unit

Filter regulator

Filter

Pressure regulator

Lubricator

System extensions

Accessories

Special products

Soft start valve | BGO

- Service 3 unit
- Service 2 unit
- Filter regulator
- Filter
- Pressure regulator
- Lubricator
- System extensions
- Accessories
- Special products

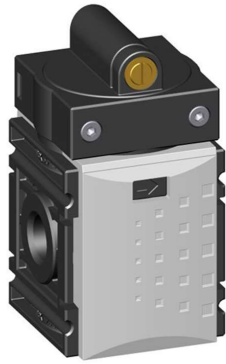


Image shows:
94020.CC00

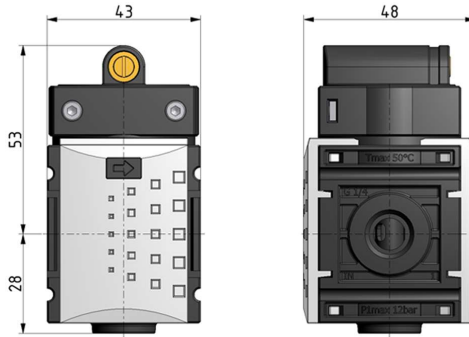
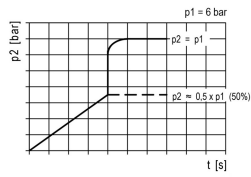
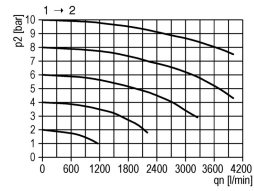


Image shows:
94020.CC00

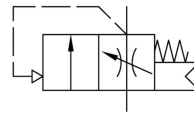
filling characteristic



flow characteristic



symbol



technical data

- **description:** poppet valve, operated by secondary pressure
- **medium:** compressed air, neutral gases
- **supply pressure P1 min.:** 2,5 bar
- **supply pressure P1 max.:** 12 bar
- **temperature range:** 0 - 50°C
- **switching pressure:** 50% P1 (only for closed systems)

accessories



- mounting bracket:
[KBW.0-1225](#)



- coupling kit wall mounting:
[KKOP.0W](#)

type	part-number	description	price (pre-tax)
KSSV-014	94020.CC00	Soft start valve G1/4	40.35 €

Soft start valve | BG1



Image shows:
94021.CC00

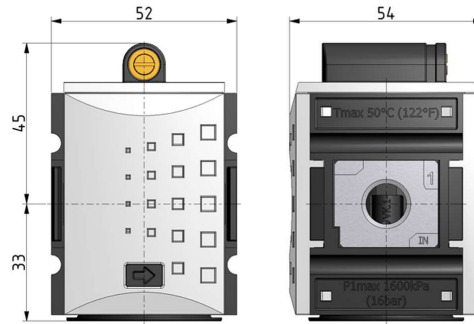
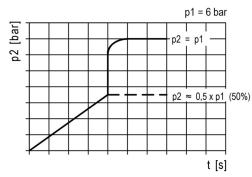


Image shows:
94021.CC00

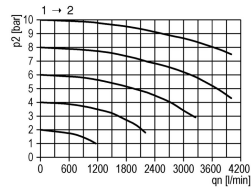
Service 3 unit

Service 2 unit

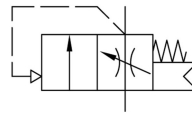
filling characteristic



flow characteristic



symbol



Filter regulator

Filter

technical data

- **description:** poppet valve, operated by secondary pressure
- **medium:** compressed air, neutral gases
- **supply pressure P1 min.:** 2,5 bar
- **supply pressure P1 max.:** 16 bar
- **temperature range:** 0 - 50°C
- **switching pressure:** 50% P1 (only for closed systems)

accessories



- **mounting bracket:**
[KBW.1-1225](#)



- **coupling kit wall mounting:**
[KKOP.1W](#)

Pressure regulator

Lubricator

System extensions

Accessories

Special products

type	part-number	description	price (pre-tax)
KSSV-114	94021.CC00	Soft start valve G1/4	44.72 €
KSSV-138	94021.DD00	Soft start valve G3/8	44.72 €

Soft start valve | BG2

- Service 3 unit
- Service 2 unit
- Filter regulator
- Filter
- Pressure regulator
- Lubricator
- System extensions
- Accessories
- Special products



Image shows:
94022.DD00

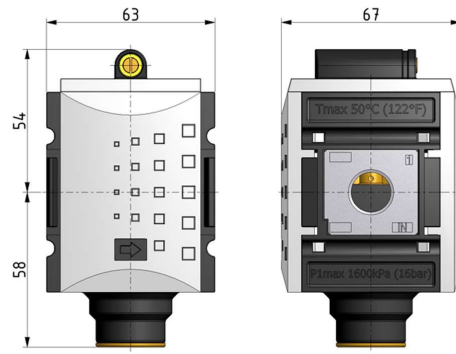
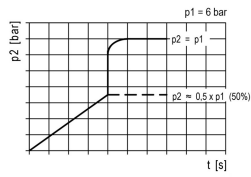
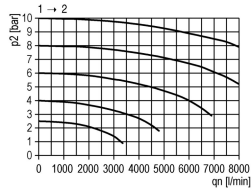


Image shows:
94022.DD00

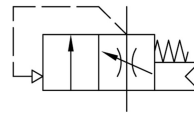
filling characteristic



flow characteristic



symbol



technical data

- **description:** poppet valve, operated by secondary pressure
- **medium:** compressed air, neutral gases
- **supply pressure P1 min.:** 2,5 bar
- **supply pressure P1 max.:** 16 bar
- **temperature range:** 0 - 50°C
- **switching pressure:** 50% P1 (only for closed systems)

accessories



- **mounting bracket:**
[KBW.2-1225](#)



- **coupling kit wall mounting:**
[KKOP.2W](#)

type	part-number	description	price (pre-tax)
KSSV-238	94022.DD00	Soft start valve G3/8	49.60 €
KSSV-212	94022.EE00	Soft start valve G1/2	49.60 €

Soft start valve | BG4



Image shows:
94024.FF00

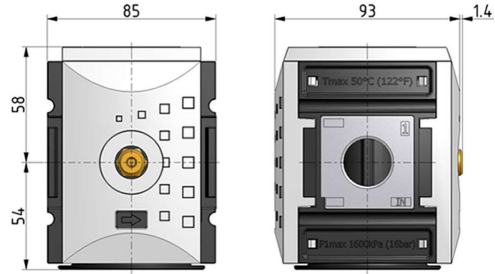
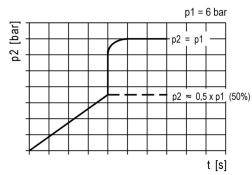


Image shows:
94024.FF00

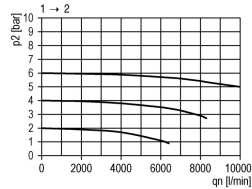
Service 3 unit

Service 2 unit

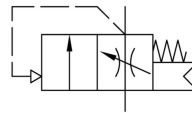
filling characteristic



flow characteristic



symbol



Filter regulator

Filter

technical data

- **description:** poppet valve, operated by secondary pressure
- **medium:** compressed air, neutral gases
- **supply pressure P1 min.:** 2,5 bar
- **supply pressure P1 max.:** 16 bar
- **temperature range:** 0 - 50°C
- **switching pressure:** 50% P1 (only for closed systems)

accessories



- **mounting bracket:**
[KBW.4-1225](#)



- **coupling kit wall mounting:**
[KKOP.4W](#)

Pressure regulator

Lubricator

System extensions

Accessories

Special products

type	part-number	description	price (pre-tax)
KSSV-434	94024.FF00	Soft start valve G3/4	143.07 €
KSSV-41	94024.GG00	Soft start valve G1	143.07 €

Ball valve | BG0

Service 3 unit

Service 2 unit

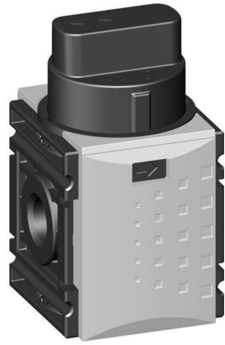


Image shows:
94000.CC00

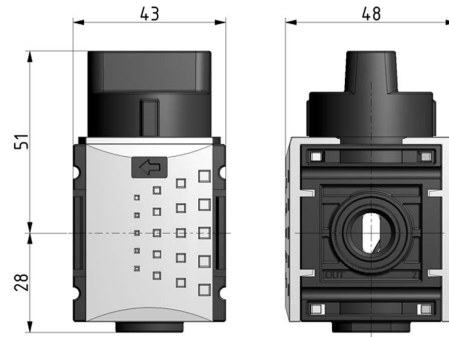
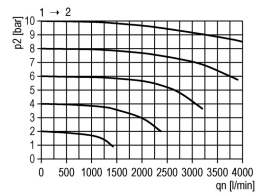


Image shows:
94000.CC00

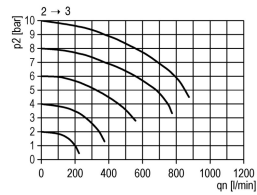
Filter regulator

Filter

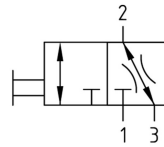
flow characteristic



rear exhaust



symbol



Pressure regulator

Lubricator

System extensions

technical data

- **description:** 3/2 directional control valve, operated by a knob, 3-fold lockable with a padlock, shackle \varnothing 8mm
- **medium:** compressed air, neutral gases
- **supply pressure P1 max.:** 12 bar
- **temperature range:** 0 - 50°C
- **locking:** lockable with padlock
- **exhaust:** G 1/4
- **operating:** knob can be turned 90°
- **exhaust (2 => 3):** Qn = 380 l/min (at P1 = 6 bar, $\Delta p = 1$ bar)

accessories



- mounting bracket:
[KBW.0-1225](#)



- coupling kit wall mounting:
[KKOP.0W](#)

Accessories

Special products

type	part-number	description	price (pre-tax)
KBAV-014	94000.CC00	Ball valve G1/4	21.78 €

Ball valve | BG1



Image shows:
94001.CC00

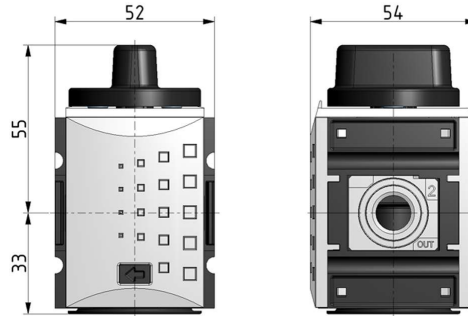
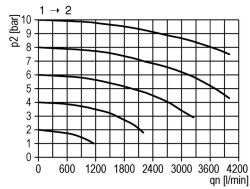


Image shows:
94001.CC00

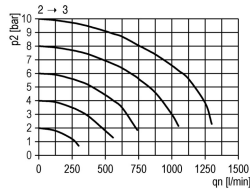
Service 3 unit

Service 2 unit

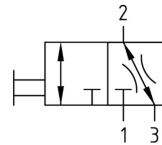
flow characteristic



rear exhaust



symbol



Filter regulator

Filter

technical data

- **description:** 3/2 directional control valve, operated by a knob, 3-fold lockable with a padlock, shackle \varnothing 8mm
- **medium:** compressed air, neutral gases
- **supply pressure P1 max.:** 16 bar
- **temperature range:** 0 - 50°C
- **locking:** lockable with padlock
- **exhaust:** G 1/4
- **operating:** knob can be turned 90°
- **exhaust (2 => 3):** Qn = 400 l/min (at P1 = 6 bar, \bar{p} = 1 bar)

accessories



- mounting bracket:
[KBW.1-1225](#)



- coupling kit wall mounting:
[KKOP.1W](#)

Pressure regulator

Lubricator

System extensions

Accessories

Special products

type	part-number	description	price (pre-tax)
KBAV-114	94001.CC00	Ball valve G1/4	31.11 €
KBAV-138	94001.DD00	Ball valve G3/8	31.11 €

Ball valve | BG2

Service 3 unit

Service 2 unit



Image shows:
94002.DD00

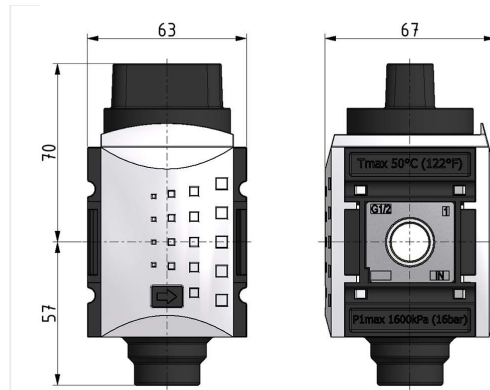
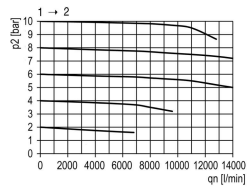


Image shows:
94002.DD00

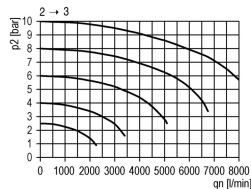
Filter regulator

Filter

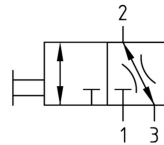
flow characteristic



rear exhaust



symbol



Pressure regulator

Lubricator

System extensions

technical data

- **description:** 3/2 directional control valve, operated by a knob, 3-fold lockable with a padlock, shackle \varnothing 8mm
- **medium:** compressed air, neutral gases
- **supply pressure P₁ max.:** 16 bar
- **temperature range:** 0 - 50°C
- **locking:** lockable with padlock
- **exhaust:** G 1/2
- **operating:** knob can be turned 90°

accessories



- mounting bracket:
[KBW.2-1225](#)



- coupling kit wall mounting:
[KKOP.2W](#)

Accessories

Special products

type	part-number	description	price (pre-tax)
KBAM-238	94002.DD00	Ball valve G3/8	44.91 €
KBAM-212	94002.EE00	Ball valve G1/2	44.91 €

Ball valve | BG4



Image shows:
94004.FF00

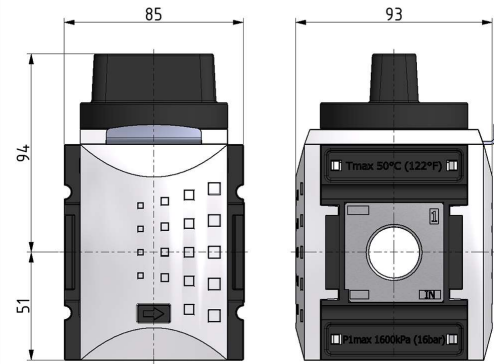
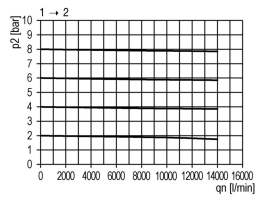


Image shows:
94004.FF00

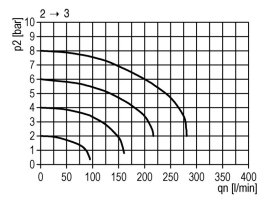
Service 3 unit

Service 2 unit

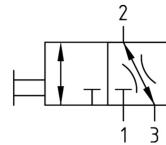
flow characteristic



rear exhaust



symbol



Filter regulator

Filter

technical data

- **description:** 3/2 directional control valve, operated by a knob, 3-fold lockable with a padlock, shackle \varnothing 8mm
- **medium:** compressed air, neutral gases
- **supply pressure P1 max.:** 16 bar
- **temperature range:** 0 - 50°C
- **locking:** lockable with padlock
- **exhaust:** G 3/4
- **operating:** knob can be turned 90°

accessories



- mounting bracket:
[KBW.4-1225](#)



- coupling kit wall mounting:
[KKOP.4W](#)

Pressure regulator

Lubricator

System extensions

Accessories

Special products

type	part-number	description	price (pre-tax)
KBAM-434	94004.FF00	Ball valve G3/4	101.67 €
KBAM-41	94004.GG00	Ball valve G1	101.67 €

Distributor | BGO

- Service 3 unit
- Service 2 unit
- Filter regulator
- Filter
- Pressure regulator
- Lubricator
- System extensions
- Accessories
- Special products



Image shows:
94040.CC00

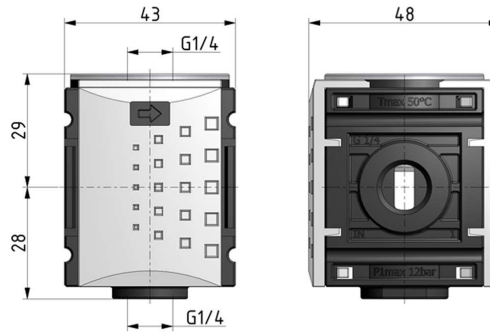
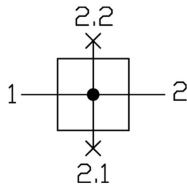


Image shows:
94040.CC00

symbol



technical data

- **description:** distribution manifold block
- **medium:** compressed air, neutral gases
- **supply pressure P1 max.:** 12 bar
- **temperature range:** 0 - 50°C
- **flow rate 1 => 2:** 2700 l/min
- **flow rate below 1 => 2.1:** Qn = 950 l/min (at P1 = 6 bar, Lp = 1 bar)
- **flow rate top 1 => 2.2:** Qn = 2000 l/min (at P1 = 6 bar, rp = 1 bar)

accessories



- mounting bracket:
[KBW.0-1225](#)



- coupling kit wall mounting:
[KKOP.0W](#)



- Druckschalter: [PE.10](#)

type	part-number	description	price (pre-tax)
KDIS-014	94040.CC00	Distributor G1/4	15.23 €

Distributor | BG1



Image shows:
94041.CC00

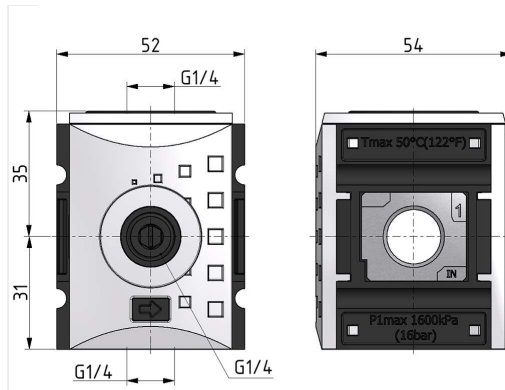
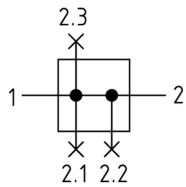


Image shows:
94041.CC00

symbol



technical data

- **description:** cross manifold (manifold block)
- **medium:** compressed air, neutral gases
- **supply pressure P1 max.:** 16 bar
- **temperature range:** 0 - 50°C
- **flow rate 1 => 2:** 2700 l/min
- **flow rate below 1 => 2.1:** Qn = 2000 l/min (at P1 = 6 bar, Δp = 1 bar)
- **flow rate top 1 => 2.2:** Qn = 2000 l/min (at P1 = 6 bar, Δp = 1 bar)
- **flow rate front 1 => 2.3:** Qn = 900 l/min (at P1 = 6 bar, Δp = 1 bar)

accessories



- mounting bracket:
[KBW.1-1225](#)



- coupling kit wall mounting:
[KKOP.1W](#)



- Druckschalter: [PE.10](#)

type	part-number	description	price (pre-tax)
KDIS-114	94041.CC00	Distributor G1/4	19.61 €
KDIS-138	94041.DD00	Distributor G3/8	19.61 €

Service 3 unit

Service 2 unit

Filter regulator

Filter

Pressure regulator

Lubricator

System extensions

Accessories

Special products

Distributor | BG2

- Service 3 unit
- Service 2 unit
- Filter regulator
- Filter
- Pressure regulator
- Lubricator
- System extensions
- Accessories
- Special products



Image shows:
94042.DD00

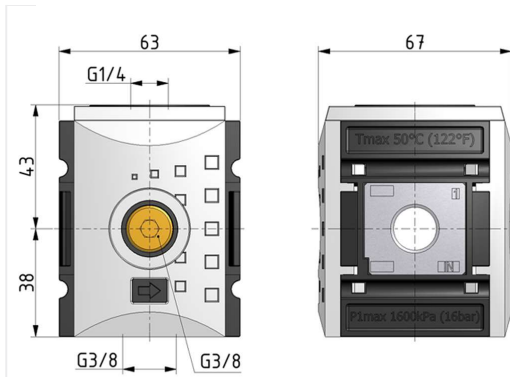
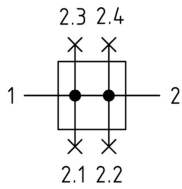


Image shows:
94042.DD00

symbol



technical data

- **description:** cross manifold (manifold block)
- **medium:** compressed air, neutral gases
- **supply pressure P1 max.:** 16 bar
- **temperature range:** 0 - 50°C
- **flow rate 1 => 2:** 7250 l/min
- **flow rate below 1 => 2.1:** Qn = 5500 l/min (at P1 = 6 bar, Δp = 1 bar)
- **flow rate top 1 => 2.2:** Qn = 2250 l/min (at P1 = 6 bar, Δp = 1 bar)
- **flow rate front 1 => 2.3:** Qn = 2300 l/min (at P1 = 6 bar, Δp = 1 bar)
- **flow rate back 1 => 2.4:** Qn = 2300 l/min (at P1 = 6 bar, Δp = 1 bar)

accessories



- mounting bracket:
[KBW.2-1225](#)



- coupling kit wall mounting:
[KKOP.2W](#)



- Druckschalter: [PE.10](#)

type	part-number	description	price (pre-tax)
KDIS-238	94042.DD00	Distributor G3/8	23.69 €
KDIS-212	94042.EE00	Distributor G1/2	23.69 €

Distributor | BG4

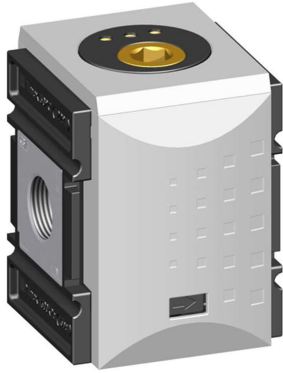


Image shows:
94044.FF00

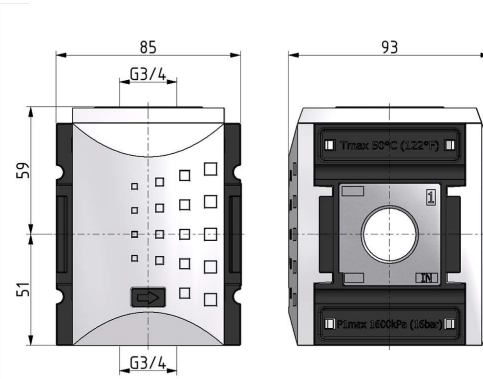
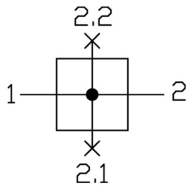


Image shows:
94044.FF00

symbol



technical data

- **description:** distribution manifold block
- **medium:** compressed air, neutral gases
- **supply pressure P1 max.:** 16 bar
- **temperature range:** 0 - 50°C
- **flow rate 1 => 2:** 18000 l/min
- **flow rate below 1 => 2.1:** Qn = 12000 l/min (at P1 = 6 bar, Δp = 1 bar)
- **flow rate top 1 => 2.2:** Qn = 8500 l/min (at P1 = 6 bar, Δp = 1 bar)

accessories



- mounting bracket:
[KBW.4-1225](#)



- coupling kit wall mounting:
[KKOP.4W](#)



- Druckschalter: [PE.10](#)

type	part-number	description	price (pre-tax)
KDIS-434	94044.FF00	Distributor G3/4	67.12 €
KDIS-41	94044.GG00	Distributor G1	67.12 €

Service 3 unit

Service 2 unit

Filter regulator

Filter

Pressure regulator

Lubricator

System extensions

Accessories

Special products

Non return valve | BGO

Service 3 unit

Service 2 unit

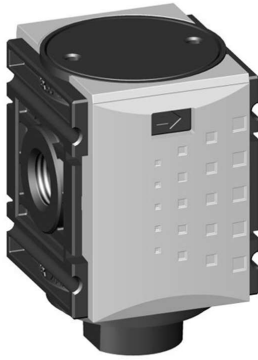


Image shows:
94030.CC00

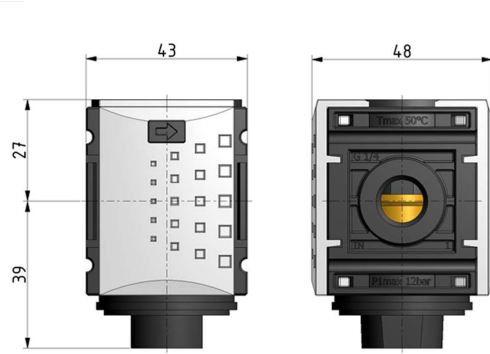
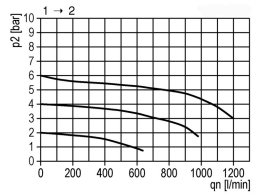


Image shows:
94030.CC00

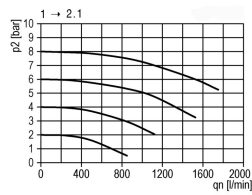
Filter regulator

Filter

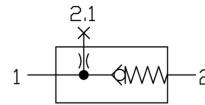
flow characteristic 1



flow characteristic 2



symbol



Pressure regulator

Lubricator

System extensions

technical data

- **description:** poppet valve, spring loaded
- **medium:** compressed air, neutral gases
- **supply pressure P1 min.:** 0,4 bar
- **supply pressure P1 max.:** 12 bar
- **temperature range:** 0 - 50°C
- **flow rate 1 => 2:** 800 l/min
- **flow rate below 1 => 2.1:** Qn = 1000 l/min (at P1 = 6 bar, Δp = 1 bar)

accessories



- **mounting bracket:**
[KBW.0-1225](#)



- **coupling kit wall mounting:**
[KKOP.0W](#)

Accessories

Special products

type	part-number	description	price (pre-tax)
KREV-014	94030.CC00	Non return valve G1/4	32.30 €

Non return valve | BG1



Image shows:
94031.CC00

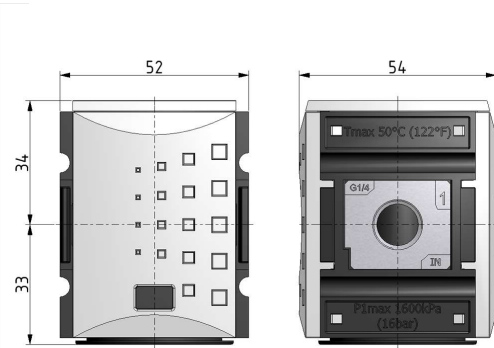
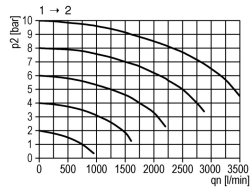
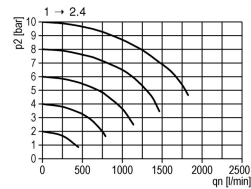


Image shows:
94031.CC00

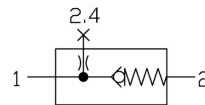
flow characteristic 1



flow characteristic 2



symbol



technical data

- **description:** poppet valve, spring loaded
- **medium:** compressed air, neutral gases
- **supply pressure P1 min.:** 0,4 bar
- **supply pressure P1 max.:** 16 bar
- **temperature range:** 0 - 50°C
- **flow rate 1 => 2:** 1250 l/min
- **flow rate back 1 => 2.4:** Qn = 700 l/min (at P1 = 6 bar, p2 = 1 bar)

accessories



- **mounting bracket:**
[KBW.1-1225](#)



- **coupling kit wall mounting:**
[KKOP.1W](#)

type	part-number	description	price (pre-tax)
KREV-114	94031.CC00	Non return valve G1/4	37.36 €
KREV-138	94031.DD00	Non return valve G3/8	37.36 €

Service 3 unit

Service 2 unit

Filter regulator

Filter

Pressure regulator

Lubricator

System extensions

Accessories

Special products

Non return valve | BG2

- Service 3 unit
- Service 2 unit
- Filter regulator
- Filter
- Pressure regulator
- Lubricator
- System extensions
- Accessories
- Special products



Image shows:
94032.DD00

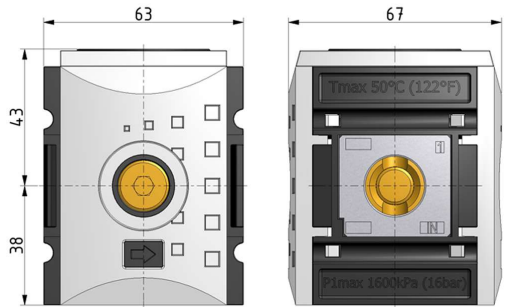
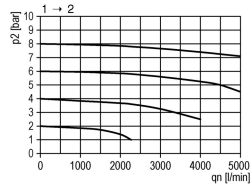
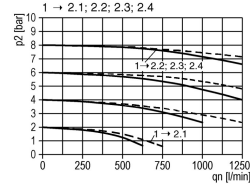


Image shows:
94032.DD00

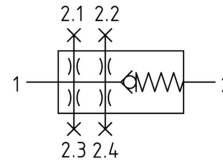
flow characteristic 1



flow characteristic 2



symbol



technical data

- **description:** poppet valve, spring loaded
- **medium:** compressed air, neutral gases
- **supply pressure P1 min.:** 0,4 bar
- **supply pressure P1 max.:** 16 bar
- **temperature range:** 0 - 50°C
- **flow rate 1 => 2:** 4500 l/min
- **flow rate below 1 => 2.1:** Qn = 1150 l/min (at P1 = 6 bar, Δp = 1 bar)
- **flow rate top 1 => 2.2:** Qn = 800 l/min (at P1 = 6 bar, Δp = 1 bar)
- **flow rate front 1 => 2.3:** Qn = 1150 l/min (at P1 = 6 bar, Δp = 1 bar)
- **flow rate back 1 => 2.4:** Qn = 1150 l/min (at P1 = 6 bar, Δp = 1 bar)

accessories



- **mounting bracket:**
[KBW.2-1225](#)



- **coupling kit wall mounting:**
[KKOP.2W](#)

type	part-number	description	price (pre-tax)
KREV-238	94032.DD00	Non return valve G3/8	47.10 €
KREV-212	94032.EE00	Non return valve G1/2	47.10 €

Non return valve | BG4

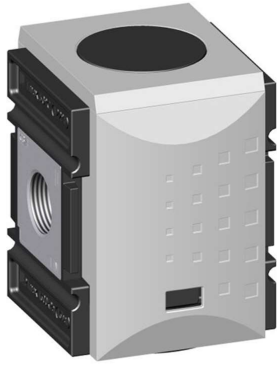


Image shows:
94034.FF00

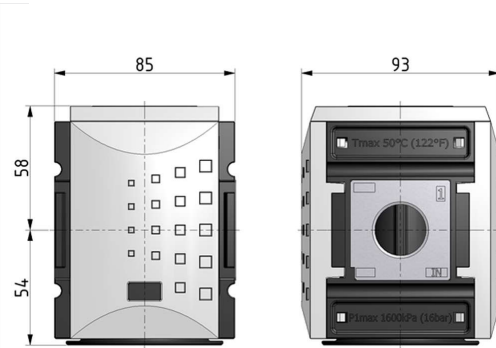


Image shows:
94034.FF00

Service 3 unit

Service 2 unit

Filter regulator

Filter

Pressure regulator

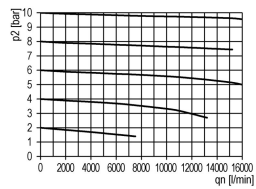
Lubricator

System extensions

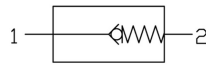
Accessories

Special products

flow characteristic



symbol



technical data

- **description:** poppet valve, spring loaded
- **medium:** compressed air, neutral gases
- **supply pressure P1 min.:** 0,4 bar
- **supply pressure P1 max.:** 16 bar
- **temperature range:** 0 - 50°C
- **flow rate 1 => 2:** 16000 l/min

accessories



- **mounting bracket:**
[KBW.4-1225](#)



- **coupling kit wall mounting:**
[KKOP.4W](#)

type	part-number	description	price (pre-tax)
KREV-434	94034.FF00	Non return valve G3/4	69.61 €
KREV-41	94034.GG00	Non return valve G1	69.61 €

Filling unit | BGO

- Service 3 unit
- Service 2 unit
- Filter regulator
- Filter
- Pressure regulator
- Lubricator
- System extensions
- Accessories
- Special products

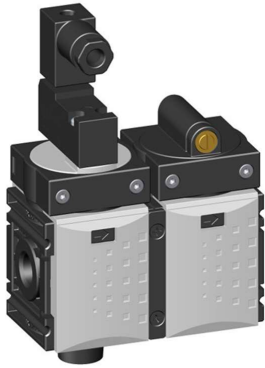


Image shows:
92820.CC02

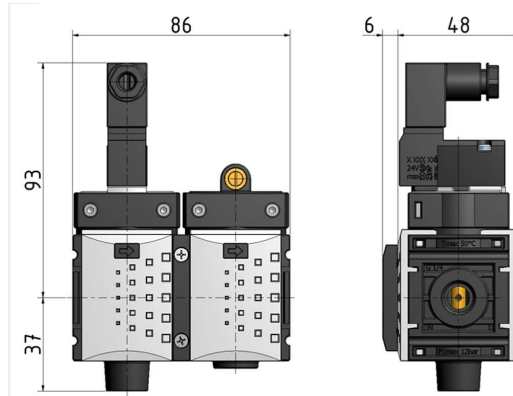
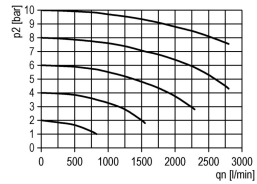
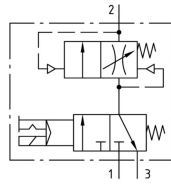


Image shows:
92820.CC02

flow characteristic



symbol



technical data

- **description:** poppet valve
- **medium:** compressed air, neutral gases
- **supply pressure P1 min.:** 2,5 bar
- **supply pressure P1 max.:** 10 bar
- **temperature range:** 0 - 50°C
- **input signal:** 24V=
- **relative switch on duration:** 100%
- **capacity:** 2,5 W
- **protection class:** IP 65 according to DIN 40050
- **electrical connection:** socket coupling EN 175301-803, form C / ISO 15217 poles 2+PE (included in scope of delivery)

accessories



- mounting bracket:
[KBW.0-1225](#)



- coupling kit wall mounting:
[KKOP.0W](#)



- 3/2 solenoid impulse valve:
[ZG.0-S](#) (CNOMO adapter
ESA.1-1303 essential)

type	part-number	description	price (pre-tax)
K2SA-014/24	92820.CC02	Filling unit G1/4 electric operated 24 V=	111.63 €
K2SA-014/115	92820.CC03	Filling unit G1/4 electric operated 115/50Hz	111.63 €
K2SA-014/230	92820.CC04	Filling unit G1/4 electric operated 230/50Hz	111.63 €
K2SA-014 I	92820.CC10	Filling unit G1/4 pneumatic operated	98.05 €

Filling unit | BG1

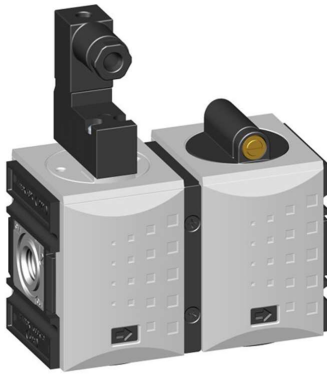


Image shows:
92821.CC02

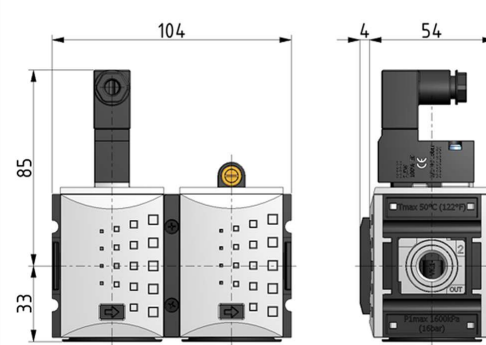
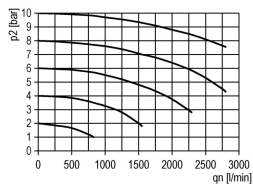


Image shows:
92821.CC02

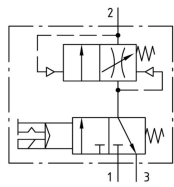
Service 3 unit

Service 2 unit

flow characteristic



symbol



technical data

- **description:** poppet valve
- **medium:** compressed air, neutral gases
- **supply pressure P1 min.:** 2,5 bar
- **supply pressure P1 max.:** 10 bar
- **temperature range:** 0 - 50°C
- **input signal:** 24V=
- **relative switch on duration:** 100%
- **capacity:** 2,5 W
- **protection class:** IP 65 according to DIN 40050
- **electrical connection:** socket coupling EN 175301-803, form C / ISO 15217 poles 2+PE (included in scope of delivery)

accessories



- **mounting bracket:**
[KBW.1-1225](#)



- **coupling kit wall mounting:**
[KKOP.1W](#)



- **3/2 solenoid impulse valve:**
[ZG.0-8](#) (CNOMO adapter
ESA, 1-1303 essential)

Filter regulator

Filter

Pressure regulator

Lubricator

System extensions

Accessories

Special products

Service 3 unit

type	part-number	description	price (pre-tax)
K2SA-114/24	92821.CC02	Filling unit G1/4 electric operated 24 V=	134.49 €
K2SA-114/115	92821.CC03	Filling unit G1/4 electric operated 115V/50Hz	134.49 €
K2SA-114/230	92821.CC04	Filling unit G1/4 electric operated 230V/50Hz	134.49 €
K2SA-114 I	92821.CC10	Filling unit G1/4 pneumatic operated	118.75 €
K2SA-138/24	92821.DD02	Filling unit G3/8 electric operated 24 V=	134.49 €
K2SA-138/115	92821.DD03	Filling unit G3/8 electric operated 115V/50Hz	134.49 €
K2SA-138/230	92821.DD04	Filling unit G3/8 electric operated 230V/50Hz	134.49 €
K2SA-138 I	92821.DD10	Filling unit G3/8 pneumatic operated	118.75 €

Service 2 unit

Filter regulator

Filter

Pressure regulator

Lubricator

System extensions

Accessories

Special products

Filling unit | BG2



Image shows:
92822.DD02

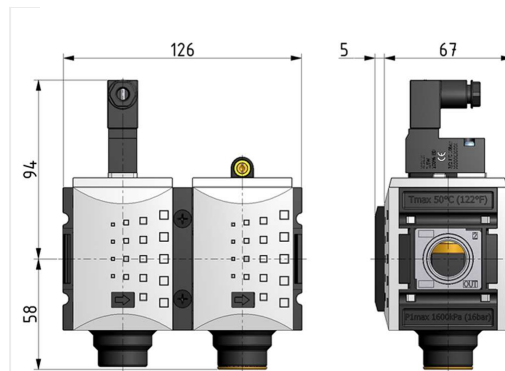


Image shows:
92822.DD02

Service 3 unit

Service 2 unit

Filter regulator

Filter

Pressure regulator

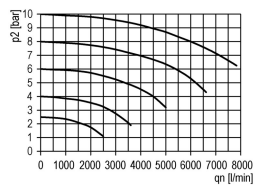
Lubricator

System extensions

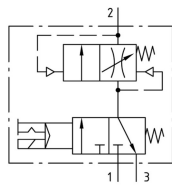
Accessories

Special products

flow characteristic



symbol



technical data

- **description:** poppet valve
- **medium:** compressed air, neutral gases
- **supply pressure P1 min.:** 2,5 bar
- **supply pressure P1 max.:** 10 bar
- **temperature range:** 0 - 50°C
- **input signal:** 24V=
- **relative switch on duration:** 100%
- **capacity:** 2,5 W
- **protection class:** IP 65 according to DIN 40050
- **electrical connection:** socket coupling EN 175301-803, form C / ISO 15217 poles 2+PE (included in scope of delivery)

accessories



- **mounting bracket:**
[KBW.2-1225](#)



- **coupling kit wall mounting:**
[KKOP.2W](#)



- **3/2 solenoid impulse valve:**
[ZG.0-8](#) (CNOMO adapter
ESA, 1-1303 essential)

	type	part-number	description	price (pre-tax)
Service 3 unit	K2SA-238/24	92822.DD02	Filling unit G3/8 electric operated 24V=	155.00 €
	K2SA-238/115	92822.DD03	Filling unit G3/8 electric operated 115V/50HZ	155.00 €
	K2SA-238/230	92822.DD04	Filling unit G3/8 electric operated 230V/50HZ	155.00 €
	K2SA-238 I	92822.DD10	Filling unit G3/8 pneumatic operated	144.56 €
Service 2 unit	K2SA-212/24	92822.EE02	Filling unit G1/2 electric operated 24V=	155.00 €
	K2SA-212/115	92822.EE03	Filling unit G1/2 electric operated 115V/50Hz	155.00 €
	K2SA-212/230	92822.EE04	Filling unit G1/2 electric operated 230V/50Hz	155.00 €
	K2SA-212 I	92822.EE10	Filling unit G1/2 pneumatic operated	144.56 €
Filter regulator				
Filter				
Pressure regulator				
Lubricator				
System extensions				
Accessories				
Special products				

Filling unit | BG4



Image shows:
92824.FF02

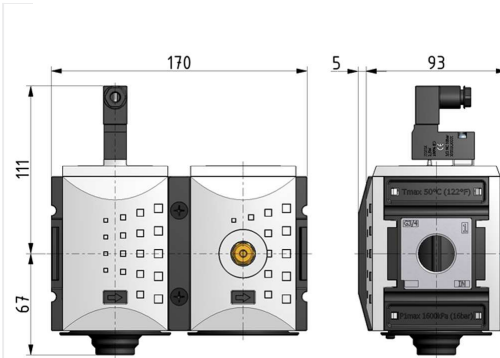


Image shows:
92824.FF02

Service 3 unit

Service 2 unit

Filter regulator

Filter

Pressure regulator

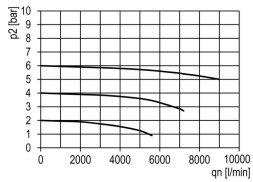
Lubricator

System extensions

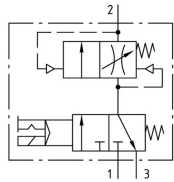
Accessories

Special products

flow characteristic



symbol



technical data

- **description:** poppet valve
- **medium:** compressed air, neutral gases
- **supply pressure P1 min.:** 2,5 bar
- **supply pressure P1 max.:** 10 bar
- **temperature range:** 0 - 50°C
- **input signal:** 24V=
- **relative switch on duration:** 100%
- **capacity:** 2,5 W
- **protection class:** IP 65 according to DIN 40050
- **electrical connection:** socket coupling EN 175301-803, form C / ISO 15217 poles 2+PE (included in scope of delivery)

accessories



- **mounting bracket:**
[KBW.4-1225](#)



- **coupling kit wall mounting:**
[KKOP.4W](#)



- **3/2 solenoid impulse valve:**
[ZG.0-8](#) (CNOMO adapter
ESA, 1-1303 essential)

Service 3 unit

type	part-number	description	price (pre-tax)
K2SA-434/24	92824.FF02	Filling unit G3/4 electric operated 24V=	344.58 €
K2SA-434/115	92824.FF03	Filling unit G3/4 electric operated 115/50Hz	344.58 €
K2SA-434/230	92824.FF04	Filling unit G3/4 electric operated 230/50Hz	344.58 €
K2SA-434 I	92824.FF10	Filling unit G3/4 pneumatic operated	307.32 €
K2SA-41/24	92824.GG02	Filling unit G1 electric operated 24V=	344.58 €
K2SA-41/115	92824.GG03	Filling unit G1 electric operated 115V/50Hz	344.58 €
K2SA-41/230	92824.GG04	Filling unit G1 electric operated 230V/50Hz	344.58 €
K2SA-41 I	92824.GG10	Filling unit G1 pneumatic operated	307.32 €

Service 2 unit

Filter regulator

Filter

Pressure regulator

Lubricator

System extensions

Accessories

Special products