

Micro lubricator | BGO

Service 3 unit

Service 2 unit



Image shows:
9.2500.00.000

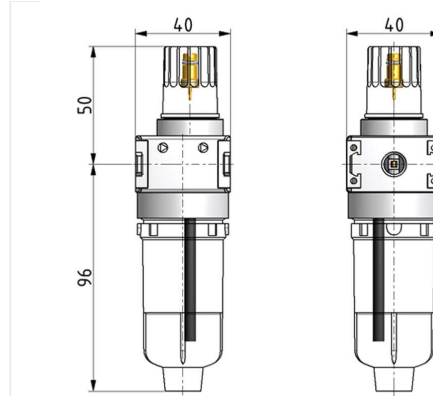
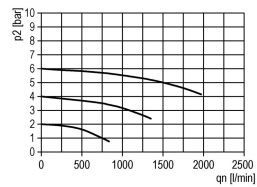


Image shows:
9.2500.00.000

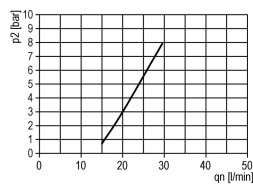
Filter regulator

Filter

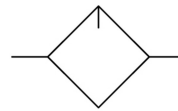
flow characteristic



lubricator operating limit



symbol



Pressure regulator

Lubricator

System extensions

technical data

- **description:** micro lubricator
- **medium:** compressed air, neutral gases
- **supply pressure P1 max.:** 16 bar
- **temperature range:** 0 - 60°C
- **bowl:** PC
- **mounting:** vertical
- **bowl volume lubricator:** 35 cm³
- **oil type:** CL 32 DIN 51517 - ISO VG 32
- **dome assembly:** PC
- **oil fill in:** cannot be filled with oil during operation

accessories



- coupling kit wall mounting:
[ZW.00-1](#)

- electrical level indicator
(version addition: N)

- Metall-Tropfaufsatz L.33 H

Accessories

Special products

type	part-number	description	price (pre-tax)
L.00	9.2500.00.000	Micro Lubricator G1/8 with PC bowl	22.49 €
L.00 M	9.2500.00.002	Micro Lubricator G1/8 with metal bowl	27.18 €
L.00 B	9.2500.00.004	Micro Lubricator G1/8 with PC bowl and bowl guard	28.88 €
L.01	9.2501.00.000	Micro Lubricator G1/4 with PC bowl	22.49 €
L.01 M	9.2501.00.002	Micro Lubricator G1/4 with metal bowl	27.18 €
L.01 B	9.2501.00.004	Micro Lubricator G1/4 with PC bowl and bowl guard	28.88 €

Lubricator | BG1



Image shows:
9.2511.000

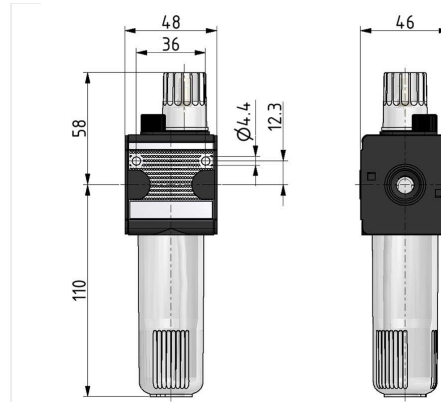
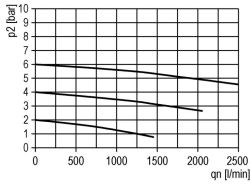


Image shows:
9.2511.000

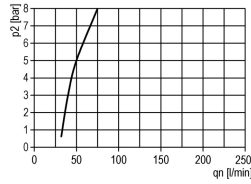
Service 3 unit

Service 2 unit

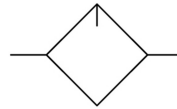
flow characteristic



lubricator operating limit



symbol



Filter regulator

Filter

technical data

- **description:** proportional lubricator
- **medium:** compressed air, neutral gases
- **supply pressure P1 max.:** 16 bar
- **temperature range:** 0 - 60°C
- **bowl:** PC
- **mounting:** vertical
- **bowl volume lubricator:** 50 cm³
- **oil type:** CL 32 DIN 51517 - ISO VG 32
- **dome assembly:** PC
- **oil fill in:** can be filled with oil during operation

accessories



- mounting bracket: [ZW.11-1](#)

- electrical level indicator (version addition: N)

- Metall-Tropfaufsatz L.33 H

Pressure regulator

Lubricator

System extensions

Accessories

Special products

type	part-number	description	price (pre-tax)
L.11	9.2511.000	Lubricator G1/4 with PC bowl	35.12 €
L.11 H	9.2511.003	Lubricator G1/4 with metal bowl/visual display	67.75 €
L.11 B	9.2511.004	Lubricator G1/4 with PC bowl and bowl guard	46.36 €
L.12	9.2512.000	Lubricator G3/8 with PC bowl	35.12 €
L.12 H	9.2512.003	Lubricator G3/8 with metal bowl/visual display	67.75 €
L.12 B	9.2512.004	Lubricator G3/8 with PC bowl and bowl guard	46.36 €

Lubricator | BG3

Service 3 unit

Service 2 unit



Image shows:
9.2533.000

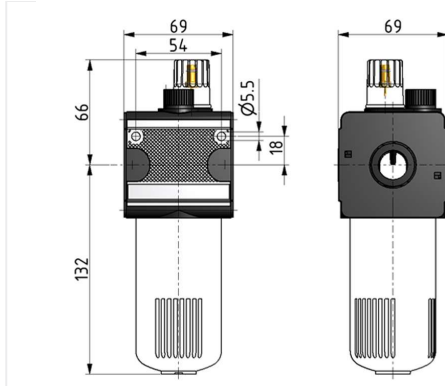
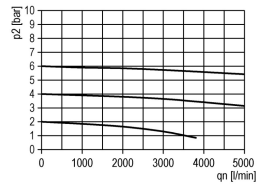


Image shows:
9.2533.000

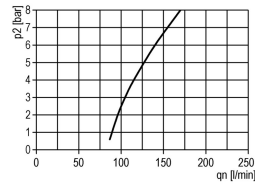
Filter regulator

Filter

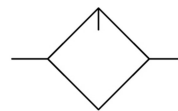
flow characteristic



lubricator operating limit



symbol



Pressure regulator

Lubricator

technical data

- **description:** proportional lubricator
- **medium:** compressed air, neutral gases
- **supply pressure P1 max.:** 16 bar
- **temperature range:** 0 - 60°C
- **bowl:** PC
- **mounting:** vertical
- **bowl volume lubricator:** 125 cm³
- **oil type:** CL 32 DIN 51517 - ISO VG 32
- **dome assembly:** PC
- **oil fill in:** can be filled with oil during operation

accessories



- mounting bracket: [ZW.33-1](#)

- electrical level indicator (version addition: N)

- Metall-Tropfaufsatz L.33 H

System extensions

Accessories

Special products

type	part-number	description	price (pre-tax)
L.33	9.2533.000	Lubricator G1/2 with PC bowl	55.90 €
L.33 H	9.2533.003	Lubricator G1/2 with metal bowl/visual display	90.35 €
L.33 B	9.2533.004	Lubricator G1/2 with PC bowl and bowl guard	68.85 €
L.34	9.2534.000	Lubricator G3/4 with PC bowl	55.90 €
L.34 H	9.2534.003	Lubricator G3/4 with metal bowl/visual display	90.35 €
L.34 B	9.2534.004	Lubricator G3/4 with PC bowl and bowl guard	68.85 €

Lubricator | BG5



Image shows:
9.2554.00.000

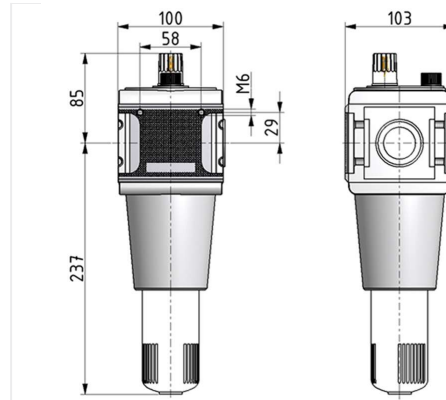
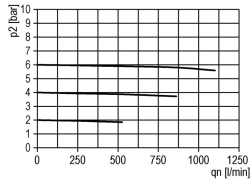


Image shows:
9.2554.00.000

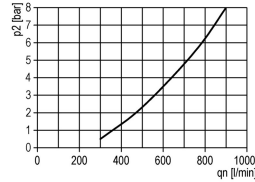
Service 3 unit

Service 2 unit

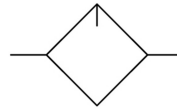
flow characteristic



lubricator operating limit



symbol



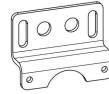
Filter regulator

Filter

technical data

- **description:** proportional lubricator
- **medium:** compressed air, neutral gases
- **supply pressure P1 max.:** 16 bar
- **temperature range:** 0 - 60°C
- **bowl:** PC
- **mounting:** vertical
- **bowl volume lubricator:** 450 cm³
- **oil type:** CL 32 DIN 51517 - ISO VG 32
- **dome assembly:** PC
- **oil fill in:** can be filled with oil during operation

accessories



- mounting bracket: [ZW33-1](#)

- electrical level indicator (version addition: N)

- Metall-Tropfaufsatz L.33 H

Pressure regulator

Lubricator

System extensions

Accessories

Special products

type	part-number	description	price (pre-tax)
L.54	9.2554.00.000	Lubricator G3/4 with PC bowl	121.33 €
L.54 H	9.2554.00.003/1	Lubricator G3/4 with metal bowl/visual display and PA dome	155.79 €
L.54 B	9.2554.00.004	Lubricator G3/4 with PC bowl and bowl guard	134.29 €
L.55	9.2555.00.000	Lubricator G1 with PC bowl	121.33 €
L.55 H	9.2555.00.003	Lubricator G1 with metal bowl/visual display	155.79 €
L.55 B	9.2555.00.004	Lubricator G1 with PC bowl and bowl guard	134.29 €

Micro lubricator | BG1

Service 3 unit

Service 2 unit



Image shows:
9.2511.200

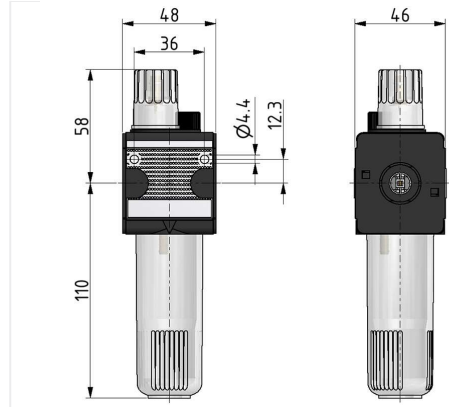
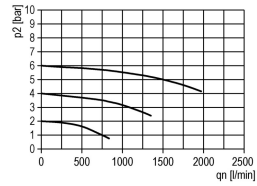


Image shows:
9.2511.200

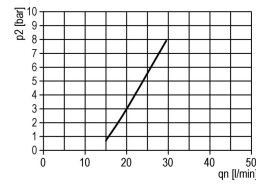
Filter regulator

Filter

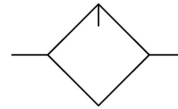
flow characteristic



lubricator operating limit



symbol



Pressure regulator

Lubricator

technical data

- **description:** micro lubricator
- **medium:** compressed air, neutral gases
- **supply pressure P1 max.:** 16 bar
- **temperature range:** 0 - 60°C
- **bowl:** PC
- **mounting:** vertical
- **bowl volume lubricator:** 50 cm³
- **oil type:** CL 32 DIN 51517 - ISO VG 32
- **dome assembly:** PC
- **oil fill in:** cannot be filled with oil during operation

accessories



- mounting bracket: [ZW.11-1](#)

- electrical level indicator (version addition: N)

- Metall-Tropfaufsatz L.33 H

System extensions

Accessories

Special products

type	part-number	description	price (pre-tax)
ML.11	9.2511.200	Micro Lubricator G1/4 with PC bowl	58.60 €
ML.11 H	9.2511.203	Micro Lubricator G1/4 with metal bowl/visual display	91.23 €
ML.11 B	9.2511.204	Micro Lubricator G1/4 with PC bowl and bowl guard	69.84 €

Micro lubricator | BG3



Image shows:
9.2533.00.200

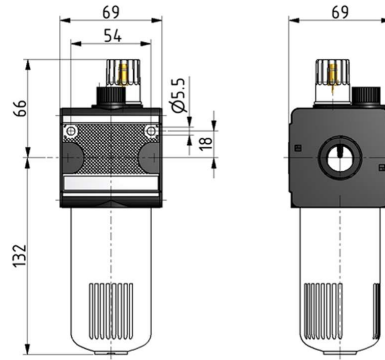
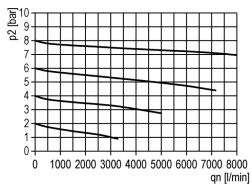


Image shows:
9.2533.00.200

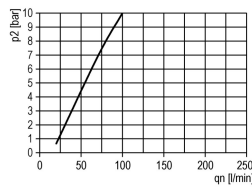
Service 3 unit

Service 2 unit

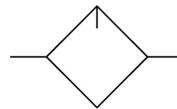
flow characteristic



lubricator operating limit



symbol



Filter regulator

Filter

technical data

- **description:** micro lubricator
- **medium:** compressed air, neutral gases
- **supply pressure P1 max.:** 16 bar
- **temperature range:** 0 - 60°C
- **bowl:** PC
- **mounting:** vertical
- **bowl volume lubricator:** 125 cm³
- **oil type:** CL 32 DIN 51517 - ISO VG 32
- **dome assembly:** PC
- **oil fill in:** cannot be filled with oil during operation

accessories



- mounting bracket: [ZW.33-1](#)

- electrical level indicator (version addition: N)

- Metall-Tropfaufsatz L.33 H

Pressure regulator

Lubricator

System extensions

Accessories

Special products

type	part-number	description	price (pre-tax)
ML.33	9.2533.00.200	Micro Lubricator G1/2 with PC bowl	78.61 €
ML.33 H	9.2533.00.203	Micro lubricator G1/2 with metal bowl/visual display	113.06 €
ML.33 B	9.2533.00.204	Micro lubricator G1/2 with PC bowl and bowl guard	91.57 €