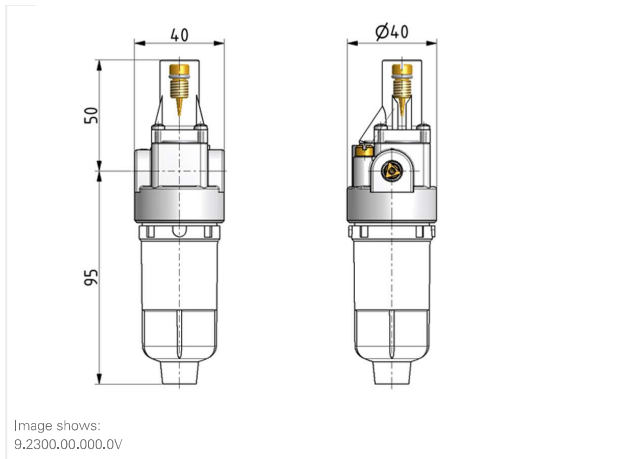
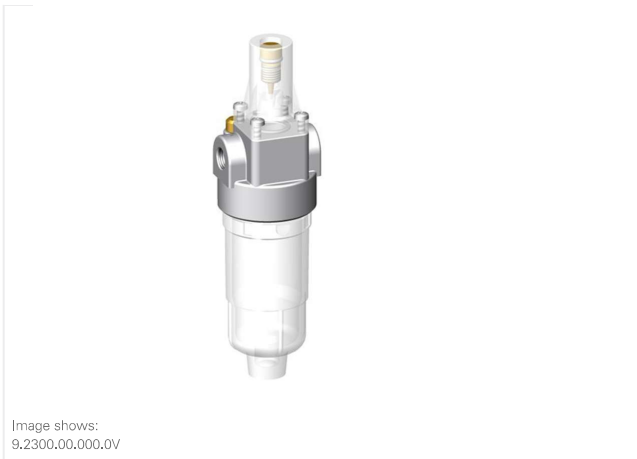


Lubricator | BGO

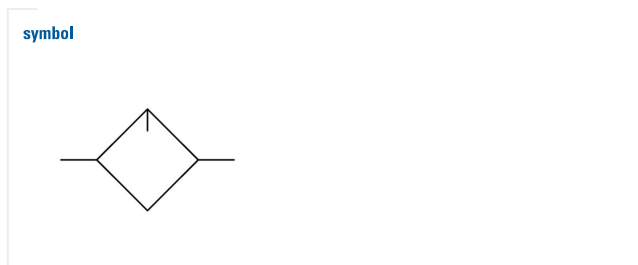
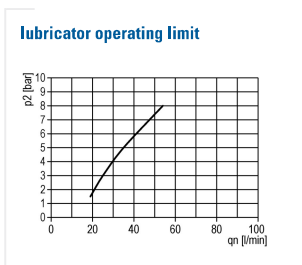
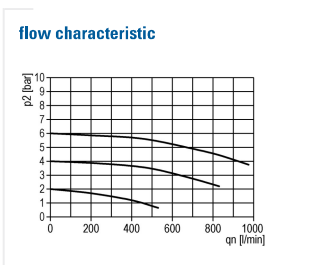
Service 3 unit

Service 2 unit



Filter regulator

Filter



Pressure regulator

Lubricator

System extensions

- technical data**
- **description:** proportional lubricator
 - **medium:** compressed air, neutral gases
 - **supply pressure P1 max.:** 16 bar
 - **temperature range:** 0 - 60°C
 - **bowl:** PC
 - **mounting:** vertical
 - **bowl volume lubricator:** 17 cm³
 - **oil type:** CL 32 DIN 51517 - ISO VG 32
 - **dome assembly:** PC
 - **oil fill in:** can be filled with oil during operation

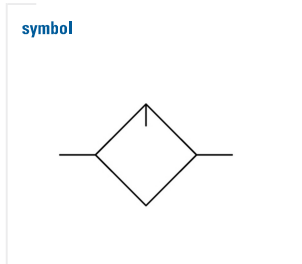
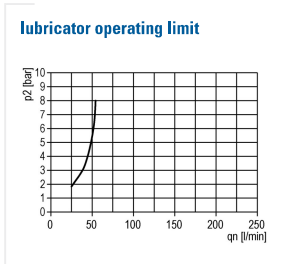
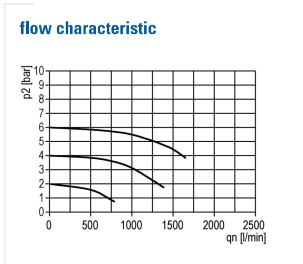
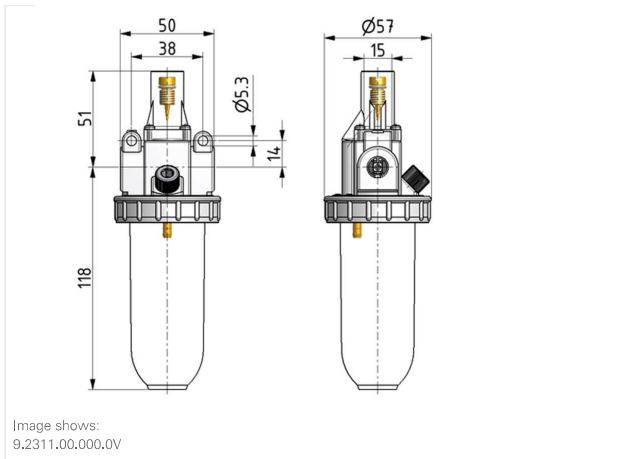
accessories

Accessories

Special products

type	part-number	description	price (pre-tax)
DO.00	9.2300.00.000.0V	Lubricator G1/8 with PC bowl	33.52 €
DO.00 M	9.2300.00.002.0V	Lubricator G1/8 with metal bowl	36.39 €
DO.01	9.2301.00.000.0V	Lubricator G1/4 with PC bowl	33.52 €
DO.01 M	9.2301.00.002.0V	Lubricator G1/4 with metal bowl	36.39 €

Lubricator | BG1



technical data

- **description:** proportional lubricator
- **medium:** compressed air, neutral gases
- **supply pressure P1 max.:** 16 bar
- **temperature range:** 0 - 60°C
- **bowl:** PC
- **mounting:** vertical
- **bowl volume lubricator:** 40 cm³
- **oil type:** CL 32 DIN 51517 - ISO VG 32
- **dome assembly:** PC
- **oil fill in:** can be filled with oil during operation

accessories

- mounting bracket: [ZW.10](#)
- electrical level indicator (version addition: N)

type	part-number	description	price (pre-tax)
DO.11	9.2311.00.000.0V	Lubricator G1/4 with PC bowl	35.12 €
DO.11 M	9.2311.00.0021.V	Lubricator G1/4 with metal bowl and metal dome	54.96 €
DO.11 B	9.2311.00.003.0V	Lubricator G1/4 with PC bowl and bowl guard	47.52 €
DO.12	9.2312.00.000.0V	Lubricator G3/8 with PC bowl	35.12 €
DO.12 M	9.2312.00.0021.V	Lubricator G3/8 with metal bowl and metal dome	54.96 €
DO.12 B	9.2312.00.003.0V	Lubricator G3/8 with PC bowl and bowl guard	47.52 €

- Service 3 unit
- Service 2 unit
- Filter regulator
- Filter
- Pressure regulator
- Lubricator**
- System extensions
- Accessories
- Special products

Lubricator | BG2

Service 3 unit

Service 2 unit



Image shows:
9.2322.00.000.0V

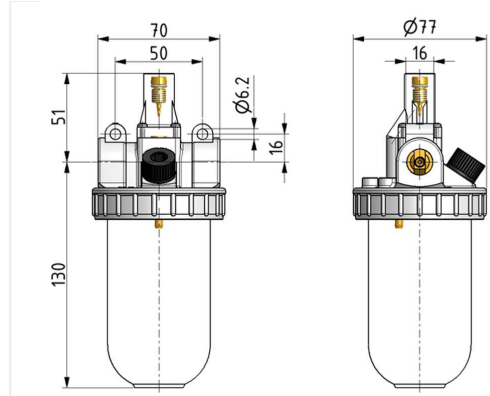
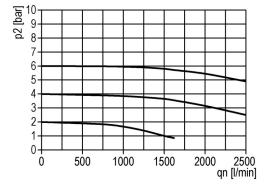


Image shows:
9.2322.00.000.0V

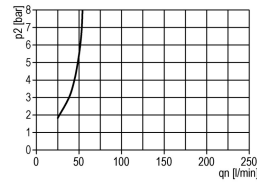
Filter regulator

Filter

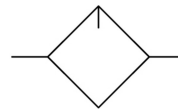
flow characteristic



lubricator operating limit



symbol



Pressure regulator

Lubricator

technical data

- **description:** proportional lubricator
- **medium:** compressed air, neutral gases
- **supply pressure P1 max.:** 16 bar
- **temperature range:** 0 - 60°C
- **bowl:** PC
- **mounting:** vertical
- **bowl volume lubricator:** 110 cm³
- **oil type:** CL 32 DIN 51517 - ISO VG 32
- **dome assembly:** PC
- **oil fill in:** can be filled with oil during operation

accessories

- **mounting bracket:** [ZW.30](#)
- **electrical level indicator** (version addition: N)

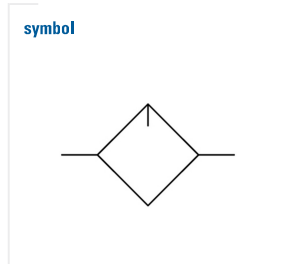
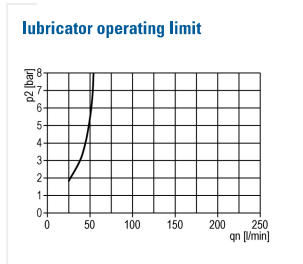
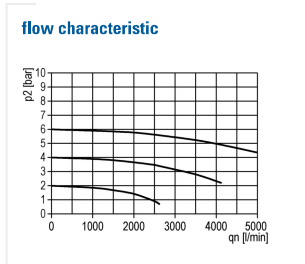
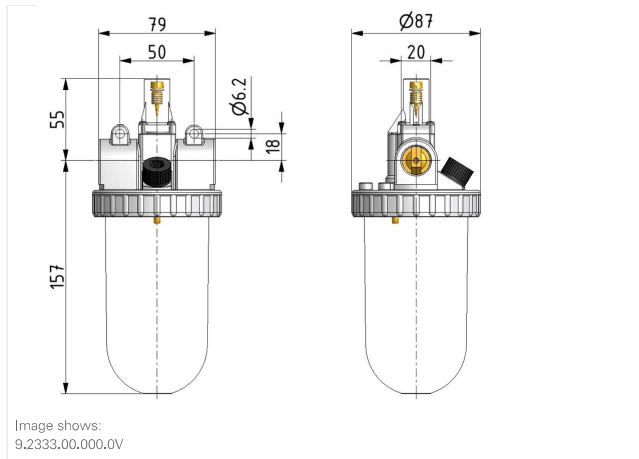
System extensions

Accessories

Special products

type	part-number	description	price (pre-tax)
DO.22	9.2322.00.000.0V	Lubricator G3/8 with PC bowl	55.02 €
DO.22 M	9.2322.00.002.0V	Lubricator G3/8 with metal bowl	59.32 €
DO.22 B	9.2322.00.003.0V	Lubricator G3/8 with PC bowl and bowl guard	71.39 €
DO.23	9.2323.00.000.0V	Lubricator G1/2 with PC bowl	56.68 €
DO.23 M	9.2323.00.002.0V	Lubricator G1/2 with metal bowl	60.98 €
DO.23 B	9.2323.00.003.0V	Lubricator G1/2 with PC bowl and bowl guard	73.05 €

Lubricator | BG3



technical data

- **description:** proportional lubricator
- **medium:** compressed air, neutral gases
- **supply pressure P1 max.:** 16 bar
- **temperature range:** 0 - 60°C
- **bowl:** PC
- **mounting:** vertical
- **bowl volume lubricator:** 135 cm³
- **oil type:** CL 32 DIN 51517 - ISO VG 32
- **dome assembly:** PC
- **oil fill in:** can be filled with oil during operation

accessories

- mounting bracket: [ZW.30](#)
- electrical level indicator (version addition: N)

type	part-number	description	price (pre-tax)
DO.33	9.2333.00.000.0V	Lubricator G1/2 with PC bowl	59.43 €
DO.33 M	9.2333.00.0021.V	Lubricator G1/2 with metal bowl, metal dome and brass oil filler screw	118.14 €
DO.33 B	9.2333.00.003.0V	Lubricator G1/2 with PC bowl and bowl guard	78.17 €

- Service 3 unit
- Service 2 unit
- Filter regulator
- Filter
- Pressure regulator
- Lubricator**
- System extensions
- Accessories
- Special products

Lubricator | BG3

Service 3 unit

Service 2 unit



Image shows:
9.2334.00.000.0V

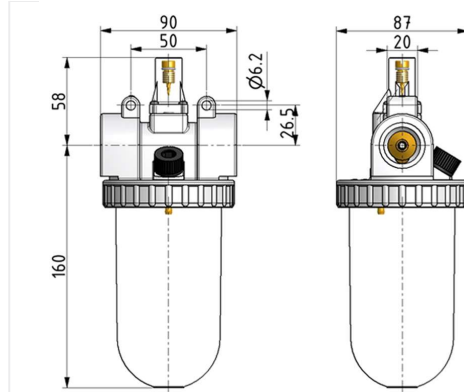
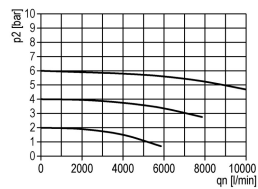


Image shows:
9.2334.00.000.0V

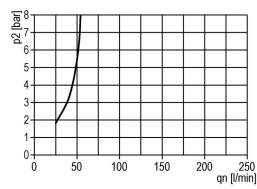
Filter regulator

Filter

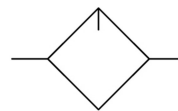
flow characteristic



lubricator operating limit



symbol



Pressure regulator

Lubricator

technical data

- **description:** proportional lubricator
- **medium:** compressed air, neutral gases
- **supply pressure P1 max.:** 16 bar
- **temperature range:** 0 - 60°C
- **bowl:** PC
- **mounting:** vertical
- **bowl volume lubricator:** 135 cm³
- **oil type:** CL 32 DIN 51517 - ISO VG 32
- **dome assembly:** PC
- **oil fill in:** can be filled with oil during operation

accessories



- mounting bracket: [ZW.30](#)

- electrical level indicator (version addition: N)

System extensions

Accessories

Special products

type	part-number	description	price (pre-tax)
DO.34	9.2334.00.000.0V	Lubricator G3/4 with PC bowl	106.35 €
DO.34 M	9.2334.00.002.0	Lubricator G 3/4 with metal bowl	111.15 €
DO.34 B	9.2334.00.003.0	Lubricator G 3/4 with metal bowl and bowl guard	125.10 €
DO.35	9.2335.00.000.0V	Lubricator G1 with PC bowl	86.16 €
DO.35 M	9.2335.00.002.0	Lubricator G1 with metal bowl	90.96 €
DO.35 B	9.2335.00.003.0	Lubricator G1 with PC bowl and bowl guard	104.91 €

Lubricator | BG5

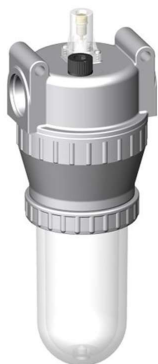


Image shows:
9.2354.00.000.0

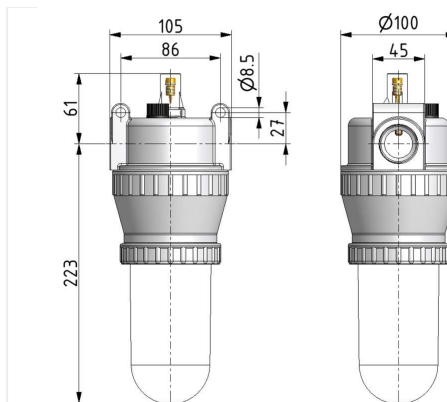
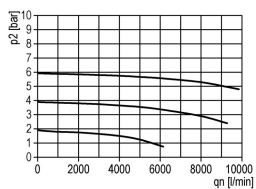


Image shows:
9.2354.00.000.0

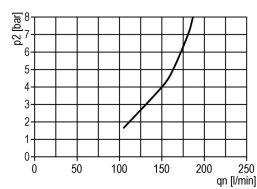
Service 3 unit

Service 2 unit

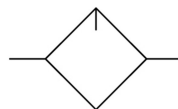
flow characteristic



lubricator operating limit



symbol



Filter regulator

Filter

technical data

- **description:** proportional lubricator
- **medium:** compressed air, neutral gases
- **supply pressure P1 max.:** 16 bar
- **temperature range:** 0 - 60°C
- **bowl:** PC
- **mounting:** vertical
- **bowl volume lubricator:** 550 cm³
- **oil type:** CL 32 DIN 51517 - ISO VG 32
- **dome assembly:** PC
- **oil fill in:** can be filled with oil during operation

accessories

- electrical level indicator
(version addition: N)

Pressure regulator

Lubricator

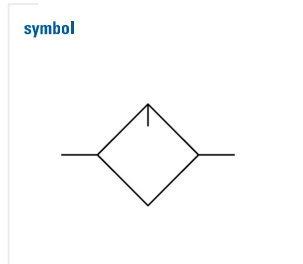
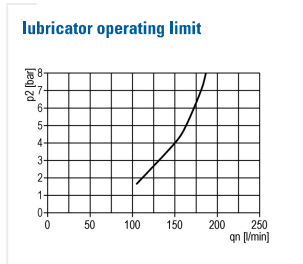
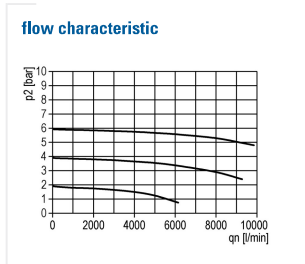
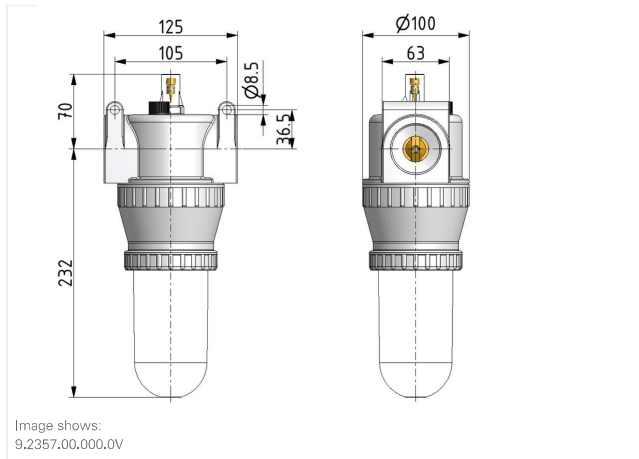
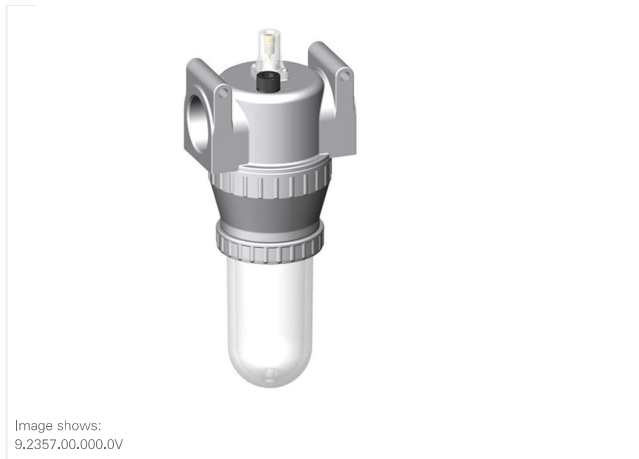
System extensions

Accessories

Special products

	type	part-number	description	price (pre-tax)
Service 3 unit	DO.54	9.2354.00.000.0	Lubricator G3/4 with PC bowl	152.61 €
	DO.54 M	9.2354.00.002.01	Lubricator G3/4 with metal bowl and metal dome	173.78 €
	DO.54 M/1,5L	9.2354.00.002.02	Lubricator G3/4 with metal bowl (long)	206.80 €
	DO.54 B	9.2354.00.003.0	Lubricator G3/4 with PC bowl and bowl guard	171.35 €
Service 2 unit	DO.55	9.2355.00.000.0	Lubricator G1 with PC bowl	132.42 €
	DO.55 M	9.2355.00.002.01	Lubricator G1 with metal bowl and metal dome	153.60 €
	DO.55 M/1,5L	9.2355.00.002.02	Lubricator G1 with metal bowl (long)	186.61 €
	DO.55 B	9.2355.00.003.0	Lubricator G1 with PC bowl and bowl guard	151.16 €
Filter regulator				
Filter				
Pressure regulator				
Lubricator				
System extensions				
Accessories				
Special products				

Lubricator | BG5



technical data

- **description:** proportional lubricator
- **medium:** compressed air, neutral gases
- **supply pressure P1 max.:** 16 bar
- **temperature range:** 0 - 60°C
- **bowl:** PC
- **mounting:** vertical
- **bowl volume lubricator:** 550 cm³
- **oil type:** CL 32 DIN 51517 - ISO VG 32
- **dome assembly:** PC
- **oil fill in:** can be filled with oil during operation

accessories

- electrical level indicator (version addition: N)

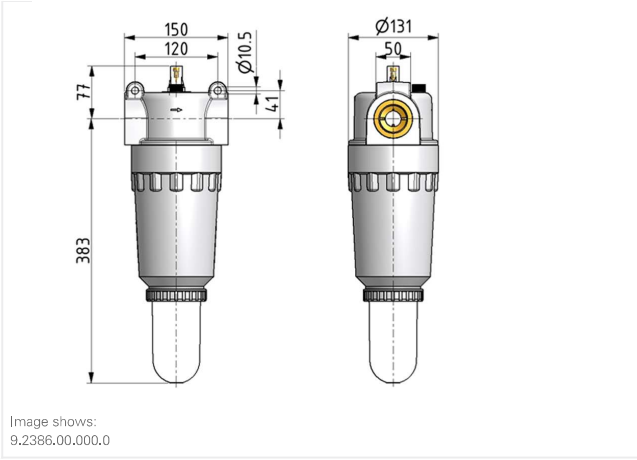
type	part-number	description	price (pre-tax)
DO.57	9.2357.00.000.0V	Lubricator G1 ½ with PC bowl	190.92 €
DO.57 M	9.2357.00.002.0	Lubricator G1 ½ with metal bowl	195.72 €
DO.57 M/1,5L	9.2357.00.002.02	Lubricator G1 ½ with metal bowl (long)	260.37 €
DO.57 B	9.2357.00.003.0V	Lubricator G1 ½ with PC bowl and bowl guard	209.66 €

- Service 3 unit
- Service 2 unit
- Filter regulator
- Filter
- Pressure regulator
- Lubricator**
- System extensions
- Accessories
- Special products

Lubricator | BG8

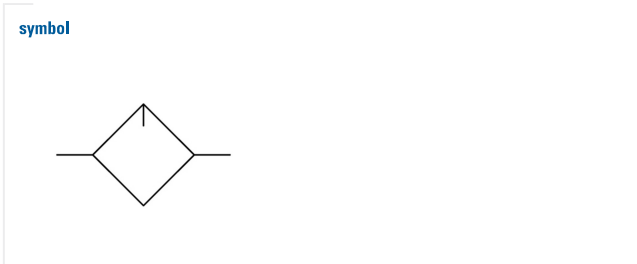
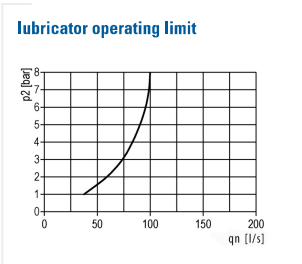
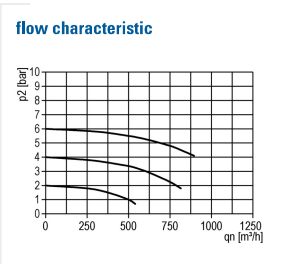
Service 3 unit

Service 2 unit



Filter regulator

Filter



Pressure regulator

Lubricator

System extensions

Accessories

Special products

- technical data**
- **description:** proportional lubricator
 - **medium:** compressed air, neutral gases
 - **supply pressure P1 max.:** 16 bar
 - **temperature range:** 0 - 60°C
 - **bowl:** PC
 - **mounting:** vertical
 - **bowl volume lubricator:** 1700 cm³
 - **oil type:** CL 32 DIN 51517 - ISO VG 32
 - **dome assembly:** PC
 - **oil fill in:** can be filled with oil during operation

- accessories**
- electrical level indicator (version addition: N)

type	part-number	description	price (pre-tax)
DO.86	9.2386.00.000.0	Lubricator G1 1/4 with PC bowl	417.99 €
DO.86 M	9.2386.00.002.0	Lubricator G1 1/4 with metal bowl	422.79 €
DO.86 B	9.2386.00.003.0	Lubricator G1 1/4 with PC bowl and bowl guard	436.73 €
DO.87	9.2387.00.000.0	Lubricator G1 1/2 with PC bowl	417.99 €
DO.87 M	9.2387.00.002.0	Lubricator G1 1/2 with metal bowl	422.79 €
DO.87 B	9.2387.00.003.0	Lubricator G1 1/2 with PC bowl and bowl guard	436.73 €
DO.88	9.2388.00.000.0	Lubricator G2 with PC bowl	374.88 €
DO.88 M	9.2388.00.002.01	Lubricator G2 with metal bowl and metal dome	423.89 €
DO.88 B	9.2388.00.003.0	Lubricator G2 with PC bowl and bowl guard	393.63 €

Service 3 unit

Service 2 unit

Filter regulator

Filter

Pressure regulator

Lubricator

System extensions

Accessories

Special products