

Pressure regulator | BGO

Service 3 unit

Service 2 unit



Image shows:
9.1700.00.600

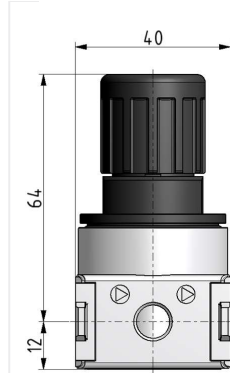


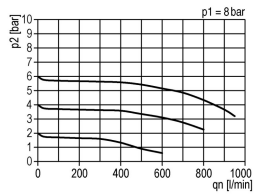
Image shows:
9.1700.00.600



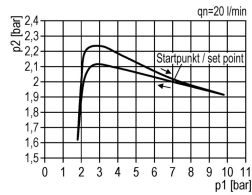
Filter regulator

Filter

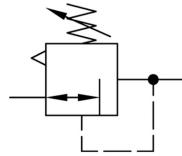
flow characteristic



pressure characteristic



symbol



Pressure regulator

Lubricator

technical data

- **description:** air line regulator with diaphragm and relieving feature
- **medium:** compressed air, neutral gases
- **supply pressure P1 max.:** 16 bar
- **temperature range:** 0 - 60°C

accessories



- coupling kit wall mounting:
[ZW.00-1](#)



- control panel mounting:
[MW.30/DR.00-34-2](#)

- lockable setting knob possible

System extensions

Accessories

type	part-number	description	price (pre-tax)
RE.00	9.1700.00.600	Pressure regulator G1/8 0,5-10	21.28 €
RE.01	9.1701.00.600	Pressure regulator G1/4 0,5-10	21.28 €

Special products

Pressure regulator | BGO



Image shows:
9.1700.00.000

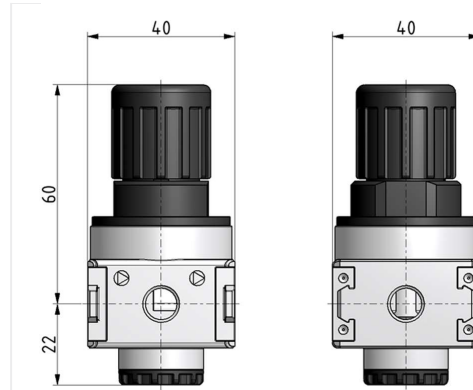
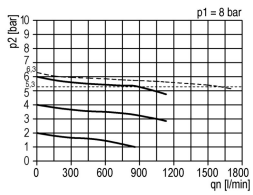


Image shows:
9.1700.00.000

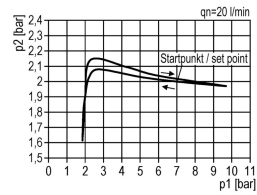
Service 3 unit

Service 2 unit

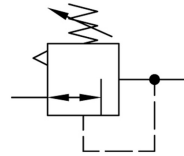
flow characteristic



pressure characteristic



symbol



Filter regulator

Filter

technical data

- **description:** air line regulator with diaphragm and relieving feature
- **medium:** compressed air, neutral gases
- **supply pressure P1 max.:** 16 bar
- **temperature range:** 0 - 60°C

accessories



- coupling kit wall mounting:
[ZW.00-1](#)



- control panel mounting:
[MW.30/DR.00-34-2](#)

- lockable setting knob possible

Pressure regulator

Lubricator

System extensions

Accessories

Special products

type	part-number	description	price (pre-tax)
R.00	9.1700.00.000	Pressure regulator G1/8 0,5-10	29.60 €
R.01	9.1701.00.000	Pressure regulator G1/4 0,5-10	29.60 €

Pressure regulator | BG1

Service 3 unit

Service 2 unit



Image shows:
9.1711.000

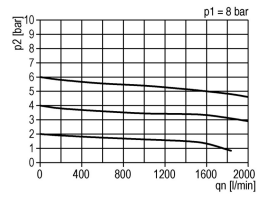


Image shows:
9.1711.000

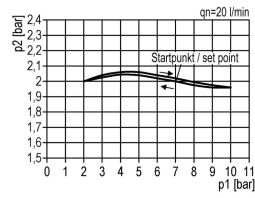
Filter regulator

Filter

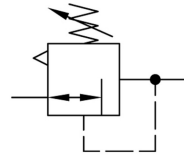
flow characteristic



pressure characteristic



symbol



Pressure regulator

Lubricator

System extensions

technical data

- **description:** air line regulator with diaphragm and relieving feature
- **medium:** compressed air, neutral gases
- **supply pressure P1 max.:** 16 bar
- **temperature range:** 0 - 60°C

accessories



• mounting bracket: [ZW.11-1](#)



• control panel mounting: [MW.30/DR.00-34-2](#)

• lockable setting knob possible

Accessories

Special products

type	part-number	description	price (pre-tax)
R.11	9.1711.000	Pressure regulator G1/4 0,5-10	33.30 €
R.12	9.1712.000	Pressure regulator G3/8 0,5-10	33.30 €

december
discontinued
2013

Pressure regulator | BG2



Image shows:
9.1722.000

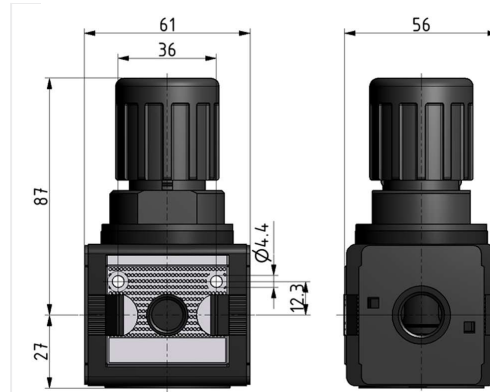
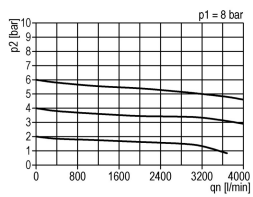
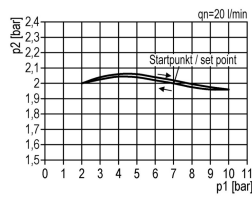


Image shows:
9.1722.000

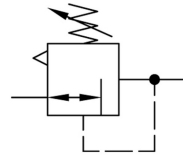
flow characteristic



pressure characteristic



symbol



technical data

- **description:** air line regulator with diaphragm and relieving feature
- **medium:** compressed air, neutral gases
- **supply pressure P1 max.:** 16 bar
- **temperature range:** 0 - 60°C

accessories

- **mounting bracket:** [ZW.22-1](#)
- **control panel mounting:** control panel nut C.22-42

type	part-number	description	price (pre-tax)
R.22	9.1722.000	Pressure regulator G3/8 0,5-10 discontinued december 2013	42.79 €

Service 3 unit

Service 2 unit

Filter regulator

Filter

Pressure regulator

Lubricator

System extensions

Accessories

Special products

Pressure regulator | BG3

Service 3 unit

Service 2 unit



Image shows:
9.1733.000

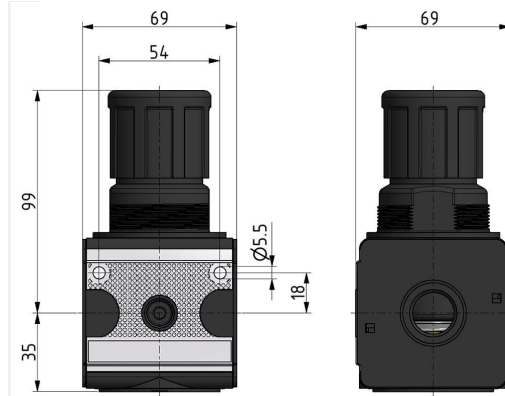
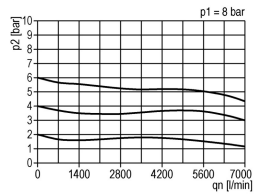


Image shows:
9.1733.000

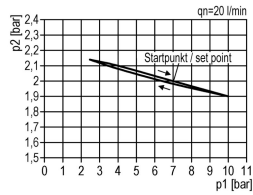
Filter regulator

Filter

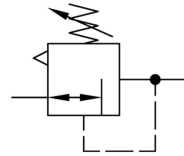
flow characteristic



pressure characteristic



symbol



Pressure regulator

Lubricator

technical data

- **description:** air line regulator with diaphragm and relieving feature
- **medium:** compressed air, neutral gases
- **supply pressure P1 max.:** 16 bar
- **temperature range:** 0 - 60°C

accessories



• mounting bracket: [ZW.33-1](#)



• control panel mounting: [MW.50/C.33-42](#)

• lockable setting knob possible

System extensions

Accessories

Special products

type	part-number	description	price (pre-tax)
R.33	9.1733.000	Pressure regulator G1/2 0,5-10	52.59 €
R.34	9.1734.000	Pressure regulator G3/4 0,5-10	52.59 €

Pressure regulator | BG5



Image shows:
9.1754.00.000

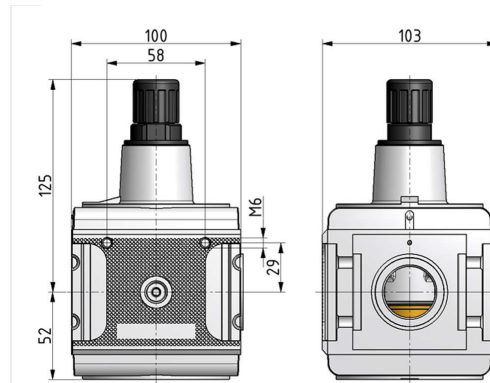


Image shows:
9.1754.00.000

Service 3 unit

Service 2 unit

Filter regulator

Filter

Pressure regulator

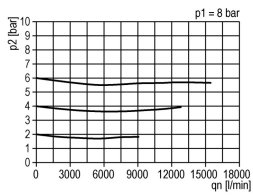
Lubricator

System extensions

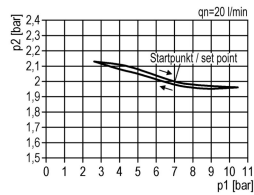
Accessories

Special products

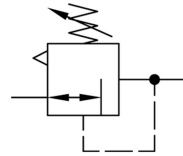
flow characteristic



pressure characteristic



symbol



technical data

- **description:** air line regulator with diaphragm and relieving feature, pilot operated
- **medium:** compressed air, neutral gases
- **supply pressure P1 max.:** 16 bar
- **temperature range:** 0 - 60°C

accessories



- mounting bracket: [ZW.55](#)

- lockable setting knob possible

type	part-number	description	price (pre-tax)
R.54	9.1754.00.000	Pressure regulator G3/4 0,5-10	114.47 €
R.55	9.1755.00.000	Pressure regulator G1 0,5-10	114.47 €

Pressure regulator pneumatic pilot operated | BG1

- Service 3 unit
- Service 2 unit
- Filter regulator
- Filter
- Pressure regulator**
- Lubricator
- System extensions
- Accessories
- Special products



Image shows:
9.1711.550

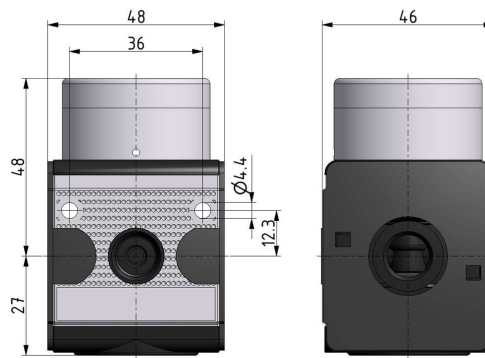
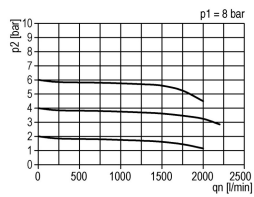
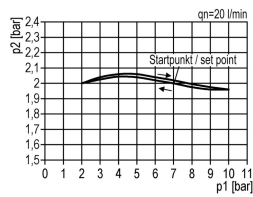


Image shows:
9.1711.550

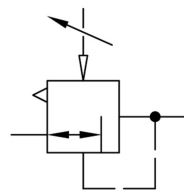
flow characteristic



pressure characteristic



symbol



technical data

- **description:** air line regulator with diaphragm and relieving feature, pneumatic pilot-operated (1:1)
- **medium:** compressed air, neutral gases
- **supply pressure P1 max.:** 16 bar
- **temperature range:** 0 - 60°C

accessories



- mounting bracket: [ZW.11-1](#)

type	part-number	description	price (pre-tax)
RI.11	9.1711.550	Pressure regulator G1/4 pneumatic pilot operated (G1/8)	61.69 €

Pressure regulator pneumatic pilot operated | BG3

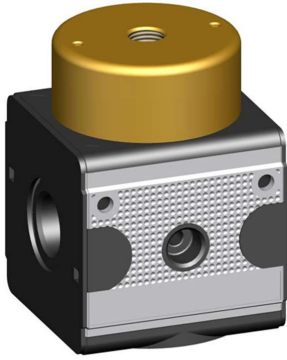


Image shows:
9.1733.550

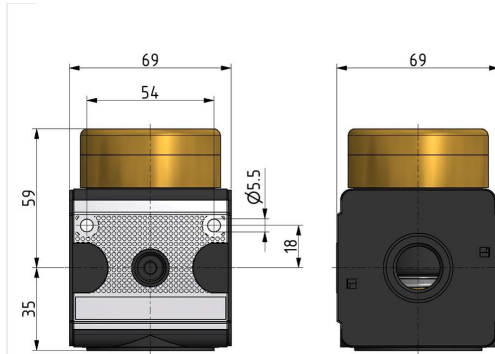
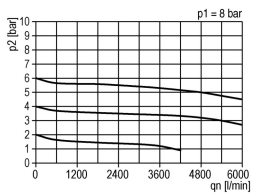
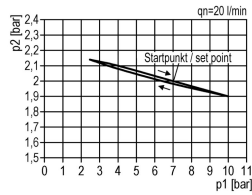


Image shows:
9.1733.550

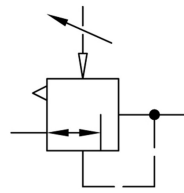
flow characteristic



pressure characteristic



symbol



technical data

- **description:** air line regulator with diaphragm and relieving feature, pneumatic pilot-operated (1:1)
- **medium:** compressed air, neutral gases
- **supply pressure P1 max.:** 16 bar
- **temperature range:** 0 - 60°C

accessories



- **mounting bracket:** [ZW33-1](#)

type	part-number	description	price (pre-tax)
RI.33	9.1733.550	Pressure regulator G1/2 pneumatic pilot operated (G1/4) with relieving feature	85.51 €
RI.34	9.1734.550	Pressure regulator G3/4 pneumatic pilot operated (G1/4) with relieving feature	85.51 €

Service 3 unit

Service 2 unit

Filter regulator

Filter

Pressure regulator

Lubricator

System extensions

Accessories

Special products

Pressure regulator pneumatic pilot operated | BG5

Service 3 unit

Service 2 unit



Image shows:
9.1754.00.500

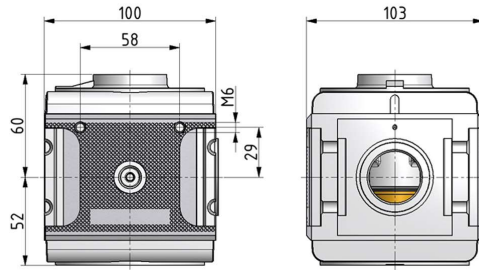
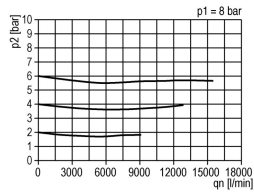


Image shows:
9.1754.00.500

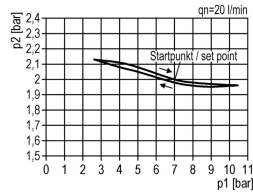
Filter regulator

Filter

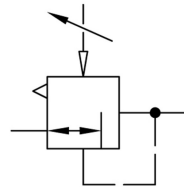
flow characteristic



pressure characteristic



symbol



Pressure regulator

Lubricator

System extensions

technical data

- **description:** air line regulator with diaphragm and relieving feature, pneumatic pilot-operated (1:1)
- **medium:** compressed air, neutral gases
- **supply pressure P1 max.:** 16 bar
- **temperature range:** 0 - 60°C

accessories



- **mounting bracket:** [ZW.55](#)

Accessories

Special products

type	part-number	description	price (pre-tax)
RI.54	9.1754.00.500	Pressure regulator G3/4 pneumatic pilot operated (G1/4)	121.89 €
RI.55	9.1755.00.500	Pressure regulator G1 pneumatic pilot operated (G1/4)	121.89 €

Pressure regulator with continuous pressure supply | BGO



Image shows:
9.1701.00.200

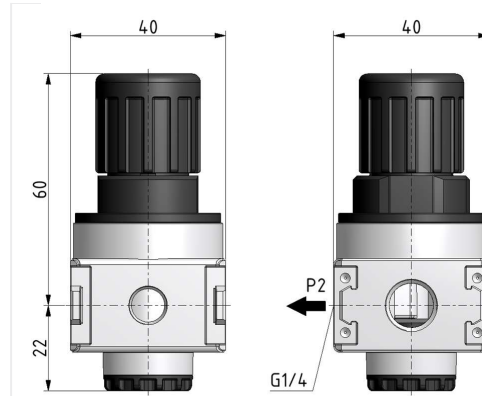


Image shows:
9.1701.00.200

Service 3 unit

Service 2 unit

Filter regulator

Filter

Pressure regulator

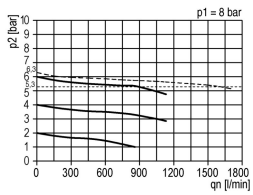
Lubricator

System extensions

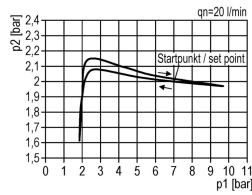
Accessories

Special products

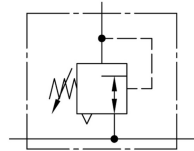
flow characteristic



pressure characteristic



symbol



technical data

- **description:** air line regulator with diaphragm and relieving feature
- **medium:** compressed air, neutral gases
- **supply pressure P1 max.:** 16 bar
- **temperature range:** 0 - 60°C

accessories



- coupling kit wall mounting:
[ZW.00-1](#)



- control panel mounting:
[MW.30/DR.00-34-2](#)

- lockable setting knob possible

type	part-number	description	price (pre-tax)
RB.01	9.1701.00.200	Pressure regulator with continuous pressure supply G1/4 0,5-10	33,52 €

Pressure regulator with continuous pressure supply | BG1

Service 3 unit

Service 2 unit



Image shows:
9.1711.200/1

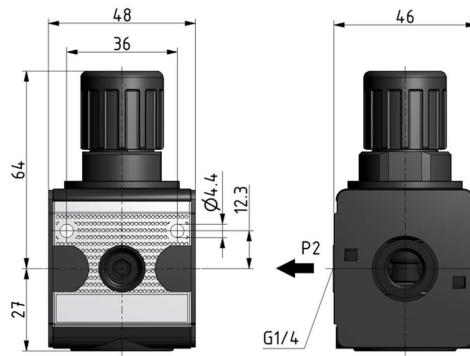
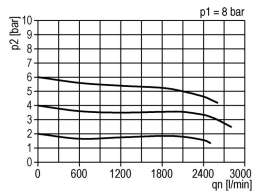


Image shows:
9.1711.200/1

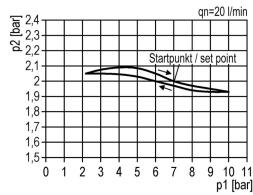
Filter regulator

Filter

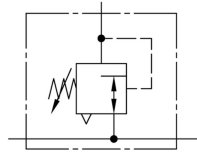
flow characteristic



pressure characteristic



symbol



Pressure regulator

Lubricator

System extensions

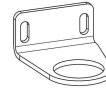
technical data

- **description:** air line regulator with diaphragm and relieving feature
- **medium:** compressed air, neutral gases
- **supply pressure P1 max.:** 16 bar
- **temperature range:** 0 - 60°C

accessories



- mounting bracket: [ZW.11-1](#)



- control panel mounting: [MW.30/DR.00-34-2](#)

- lockable setting knob possible

Accessories

Special products

type	part-number	description	price (pre-tax)
RB.11	9.1711.200/1	Pressure regulator with continuous pressure supply G1/4 0,5-10 and gauge port G1/4	34.73 €



Pressure regulator with continuous pressure supply | BG2



Image shows:
9.1722.200

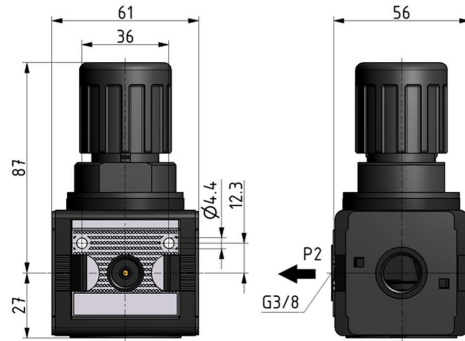


Image shows:
9.1722.200

Service 3 unit

Service 2 unit

Filter regulator

Filter

Pressure regulator

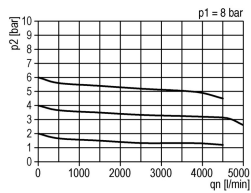
Lubricator

System extensions

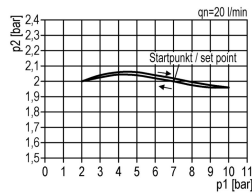
Accessories

Special products

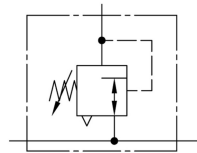
flow characteristic



pressure characteristic



symbol



technical data

- **description:** air line regulator with diaphragm and relieving feature
- **medium:** compressed air, neutral gases
- **supply pressure P1 max.:** 16 bar
- **temperature range:** 0 - 60°C

accessories



- mounting bracket: [ZW.22-1](#)

- control panel mounting:
control panel nut C.22-42

type	part-number	description	price (pre-tax)
RB.22	9.1722.200	Pressure regulator with continuous pressure supply G3/8 0,5-10 discontinued december 2013	44,38 €

Pressure regulator with continuous pressure supply | BG3

- Service 3 unit
- Service 2 unit
- Filter regulator
- Filter
- Pressure regulator
- Lubricator
- System extensions
- Accessories
- Special products



Image shows:
9.1733.200

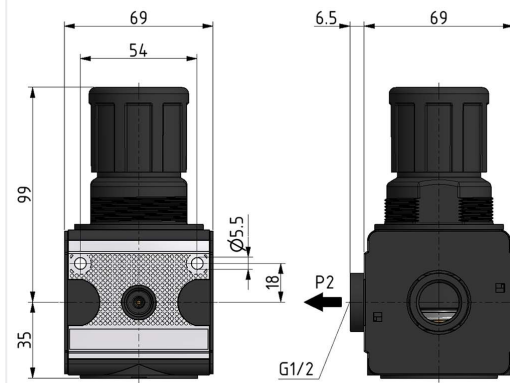
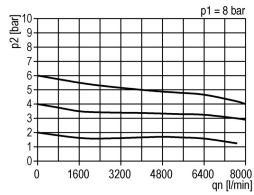
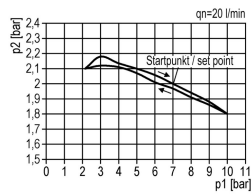


Image shows:
9.1733.200

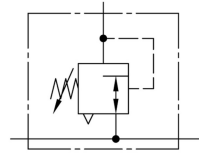
flow characteristic



pressure characteristic



symbol



technical data

- **description:** air line regulator with diaphragm and relieving feature
- **medium:** compressed air, neutral gases
- **supply pressure P1 max.:** 16 bar
- **temperature range:** 0 - 60°C

accessories



- mounting bracket: [ZW.33-1](#)



- control panel mounting: [MW.50/C.33-42](#)

- lockable setting knob possible

type

RB.33

part-number

9.1733.200

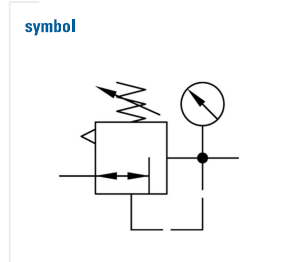
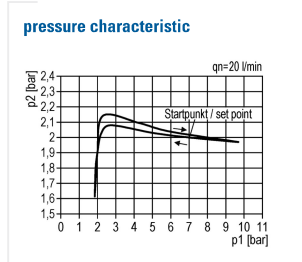
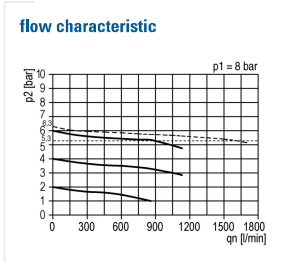
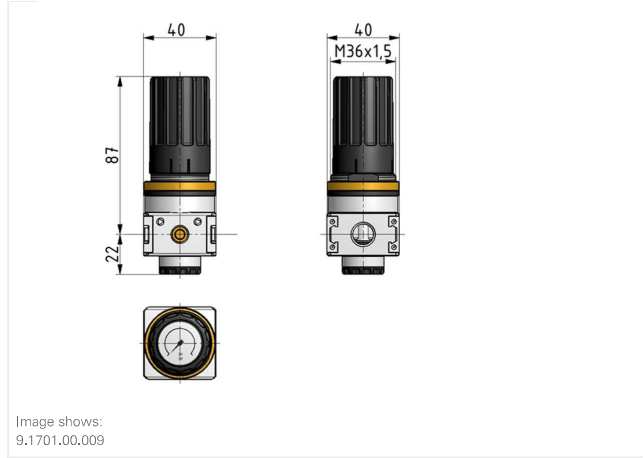
description

Pressure regulator with continuous pressure supply G1/2 0,5-10

price (pre-tax)

55.02 €

Pressure regulator with gauge inside the setting knob | BG0



technical data

- **description:** air line regulator with diaphragm and relieving feature
- **medium:** compressed air, neutral gases
- **supply pressure P1 max.:** 16 bar
- **temperature range:** 0 - 60°C
- **control panel nut:** control panel nut

accessories

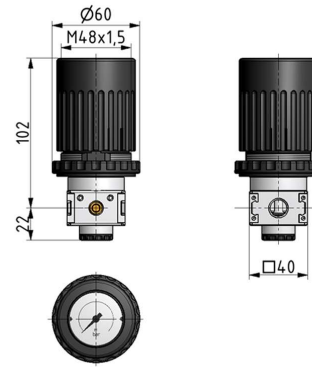
type	part-number	description	price (pre-tax)
RG.01 S	9.1701.00.009	Pressure regulator G1/4 0,5-10 with gauge G 25.10/16 R inside the setting knob and panel mounting ring	71.17 €

- Service 3 unit
- Service 2 unit
- Filter regulator
- Filter
- Pressure regulator
- Lubricator
- System extensions
- Accessories
- Special products

Pressure regulator with gauge inside the setting knob | BG0

Service 3 unit

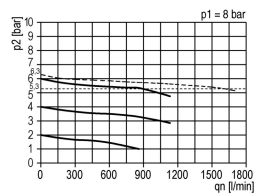
Service 2 unit

Image shows:
9.1701.00.011Image shows:
9.1701.00.011

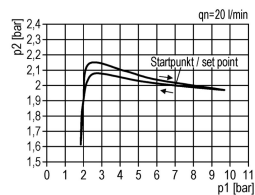
Filter regulator

Filter

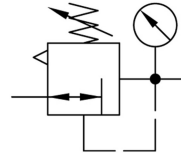
flow characteristic



pressure characteristic



symbol



Pressure regulator

Lubricator

System extensions

technical data

- **description:** air line regulator with diaphragm and relieving feature
- **medium:** compressed air, neutral gases
- **supply pressure P1 max.:** 16 bar
- **temperature range:** 0 - 60°C
- **control panel nut:** control panel nut

accessories

Accessories

Special products

type

RG.01 S

part-number

9.1701.00.011

description

Pressure regulator G1/4 0,5-10 with gauge G 40.16 R inside the setting knob and panel mounting ring

price (pre-tax)

78.29 €

Pressure regulator with gauge inside the setting knob | BG1



Image shows:
9.1711.011

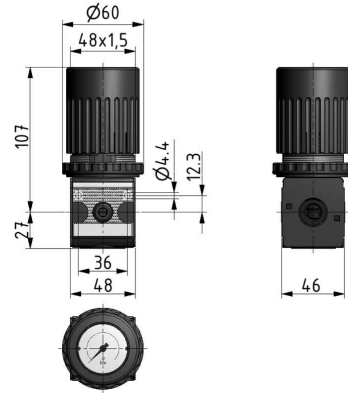
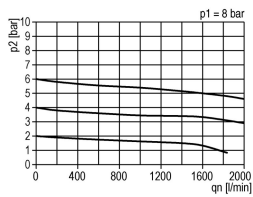


Image shows:
9.1711.011

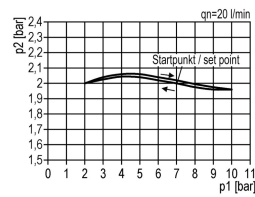
Service 3 unit

Service 2 unit

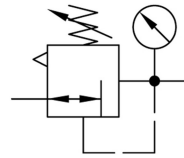
flow characteristic



pressure characteristic



symbol



Filter regulator

Filter

technical data

- **description:** air line regulator with diaphragm and relieving feature
- **medium:** compressed air, neutral gases
- **supply pressure P1 max.:** 16 bar
- **temperature range:** 0 - 60°C
- **control panel nut:** control panel nut

accessories

Pressure regulator

Lubricator

System extensions

Accessories

Special products

type	part-number	description	price (pre-tax)
RG.11 S	9.1711.011	Pressure regulator G1/4 0,5-10 with gauge G 40.16 R inside the setting knob and panel mounting ring	86.16 €
RG.12 S	9.1712.011	Pressure regulator G3/8 0,5-10 with gauge G 40.16 R inside the setting knob and panel mounting ring	86.16 €

Pressure regulator with gauge inside the setting knob and continuous pressure supply | BGO

Service 3 unit

Service 2 unit



Image shows:
9.1701.00.209/1

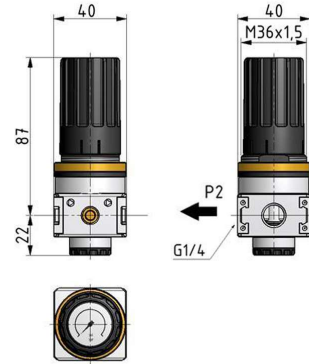
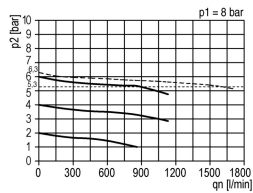


Image shows:
9.1701.00.209/1

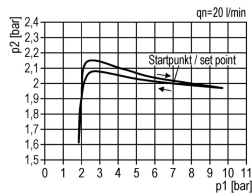
Filter regulator

Filter

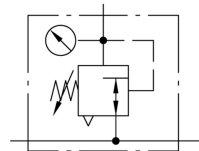
flow characteristic



pressure characteristic



symbol



Pressure regulator

Lubricator

System extensions

technical data

- **description:** air line regulator with diaphragm and relieving feature
- **medium:** compressed air, neutral gases
- **supply pressure P1 max.:** 16 bar
- **temperature range:** 0 - 60°C
- **control panel nut:** control panel nut

accessories

Accessories

Special products

type

RBG.01 S

part-number

9.1701.00.209/1

description

Pressure regulator with continuous pressure supply G1/4 0,5-10, gauge G 25.10/16 R inside the setting knob and panel mounting ring

price (pre-tax)

71.17 €

Pressure regulator with gauge inside the setting knob and continuous pressure supply | BG1



Image shows:
9.1711.209/1

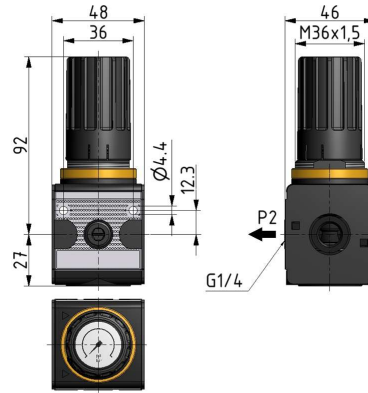
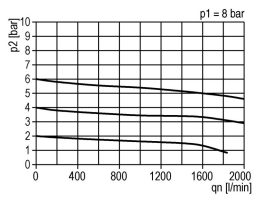
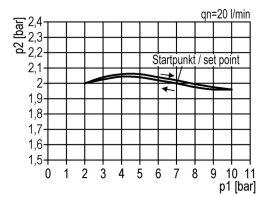


Image shows:
9.1711.209/1

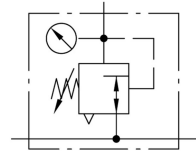
flow characteristic



pressure characteristic



symbol



technical data

- **description:** air line regulator with diaphragm and relieving feature
- **medium:** compressed air, neutral gases
- **supply pressure P1 max.:** 16 bar
- **temperature range:** 0 - 60°C
- **control panel nut:** control panel nut

accessories

type	part-number	description	price (pre-tax)
RBG.11 S	9.1711.209/1	Pressure regulator with continuous pressure supply G1/4 0,5-10, gauge G 25.10/16 R inside the setting knob and panel mounting ring	86.16 €

Service 3 unit

Service 2 unit

Filter regulator

Filter

Pressure regulator

Lubricator

System extensions

Accessories

Special products

Precision pressure regulator | BG1

- Service 3 unit
- Service 2 unit
- Filter regulator
- Filter
- Pressure regulator
- Lubricator
- System extensions
- Accessories
- Special products



Image shows:
9.6211.202

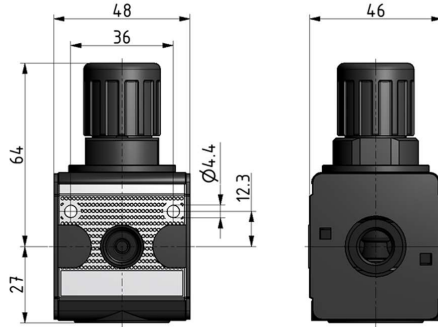
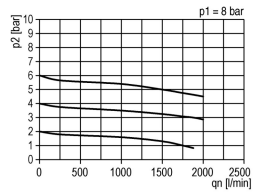
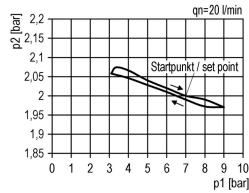


Image shows:
9.6211.202

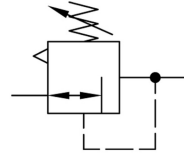
flow characteristic



pressure characteristic



symbol



technical data

- **description:** air line regulator with diaphragm and relieving feature
- **medium:** compressed air, neutral gases
- **supply pressure P1 max.:** 16 bar
- **temperature range:** 0 - 60°C
- **air consumption:** 2,6 l/min, depend upon secondary pressure

accessories



- mounting bracket: [ZW.11-1](#)



- control panel mounting: [MW.30/DR.00-34-2](#)

- lockable setting knob possible

type	part-number	description	price (pre-tax)
RP.11	9.6211.202	Precision pressure regulator G1/4 0,5-10	52.54 €

Precision pressure regulator | BG3



Image shows:
9.6233.020

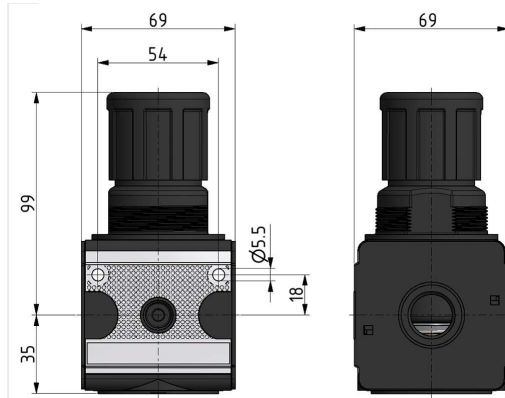


Image shows:
9.6233.020

Service 3 unit

Service 2 unit

Filter regulator

Filter

Pressure regulator

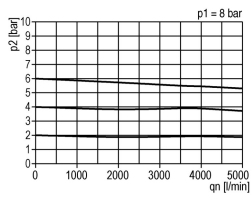
Lubricator

System extensions

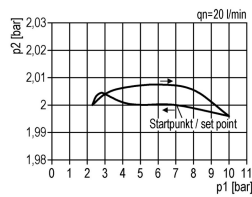
Accessories

Special products

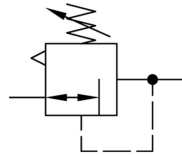
flow characteristic



pressure characteristic



symbol



technical data

- **description:** air line regulator with diaphragm and relieving feature
- **medium:** compressed air, neutral gases
- **supply pressure P1 max.:** 16 bar
- **temperature range:** 0 - 60°C
- **air consumption:** 2,6 l/min, depend upon secondary pressure

accessories



- mounting bracket: [ZW.33-1](#)



- control panel mounting: [MW.50/C.33-42](#)

- lockable setting knob possible

type	part-number	description	price (pre-tax)
RP.33	9.6233.020	Precision pressure regulator G1/2 0,5-10	71.06 €