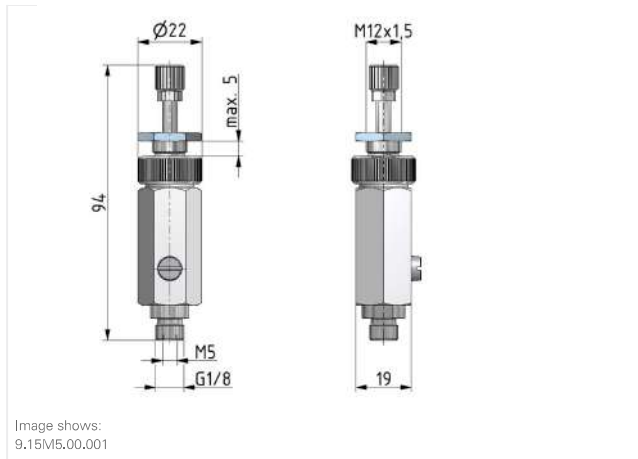
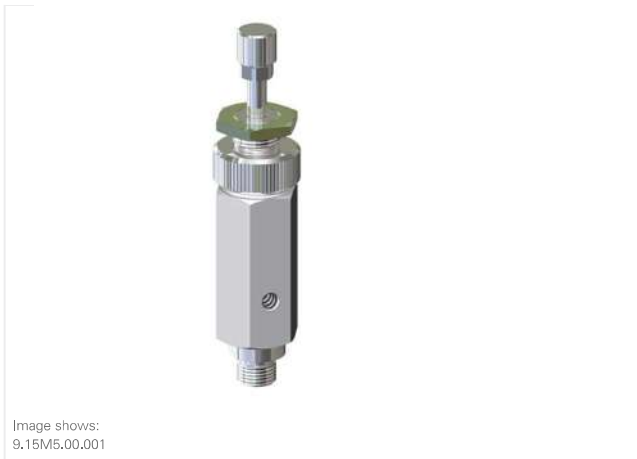
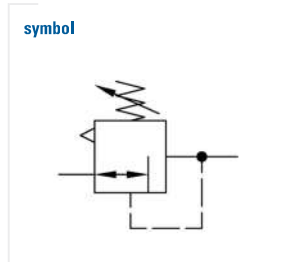
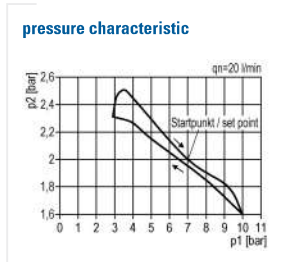
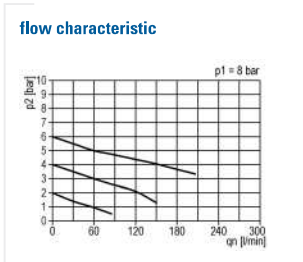


Pressure regulator | M5



Service 3 unit

Service 2 unit



Filter regulator

Filter

technical data

- **description:** plunger regulator with diaphragm and relieving feature
- **medium:** compressed air, neutral gases
- **supply pressure P1 max.:** 16 bar
- **temperature range:** 0 - 60°C
- **control panel nut:** control panel nut

accessories

Pressure regulator

Lubricator

System extensions

type	part-number	description	price (pre-tax)
DR.M5 S	9.15M5.00.001	Pressure regulator M5 0-8,5 with panel mounting ring	42.09 €

Accessories

Special products

Pressure regulator | BGO

Service 3 unit

Service 2 unit



Image shows:
9.1500.00.750/V

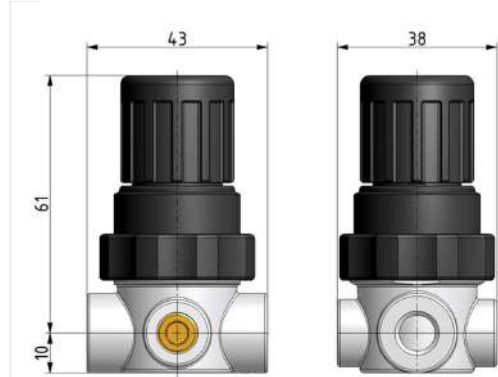
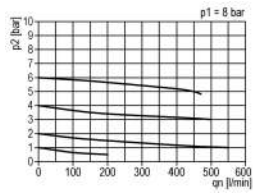


Image shows:
9.1500.00.750/V

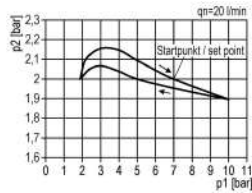
Filter regulator

Filter

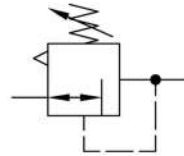
flow characteristic



pressure characteristic



symbol



Pressure regulator

Lubricator

System extensions

technical data

- **description:** air line regulator with diaphragm and relieving feature
- **medium:** compressed air, neutral gases
- **supply pressure P1 max.:** 25 bar
- **temperature range:** 0 - 60°C

accessories



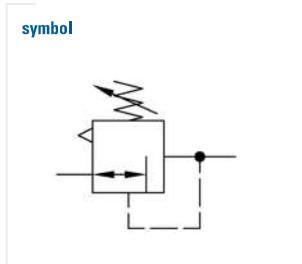
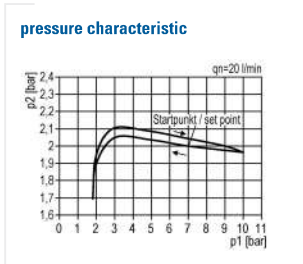
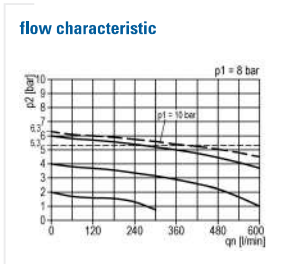
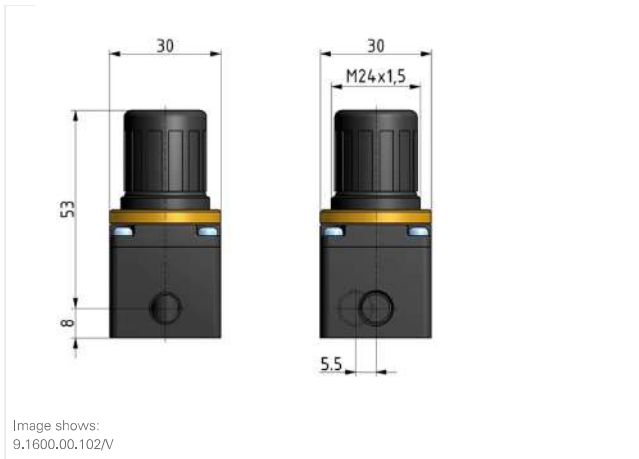
- **control panel mounting:**
[WH.M 30/DR.00-34](#)

Accessories

Special products

type	part-number	description	price (pre-tax)
DR.022-00	9.1500.00.750/V	Pressure regulator G1/8 0,5-10 (2xVST)	25.30 €
DR.022-01	9.1501.00.750/V	Pressure regulator G1/4 0,5-10 (2xVST)	25.30 €

Pressure regulator | BGO



technical data

- **description:** air line regulator with diaphragm and relieving feature
- **medium:** compressed air, medical oxygen, NO2 (nitrous oxide)
- **supply pressure P1 max.:** 10 bar
- **temperature range:** 0 - 60°C
- **control panel nut:** control panel nut

accessories

type	part-number	description	price (pre-tax)
KDR.00 mO S	9.1600.00.102/V	Pressure regulator 30x30 G1/8 0,2-8 for medical oxygen with panel mounting ring and black galvanized gauge plug in the rear port	105.24 €

- Service 3 unit
- Service 2 unit
- Filter regulator
- Filter
- Pressure regulator
- Lubricator
- System extensions
- Accessories
- Special products

Pressure regulator 30x30 flange | BGO

Service 3 unit

Service 2 unit



Image shows:
9.160X.00.103/V

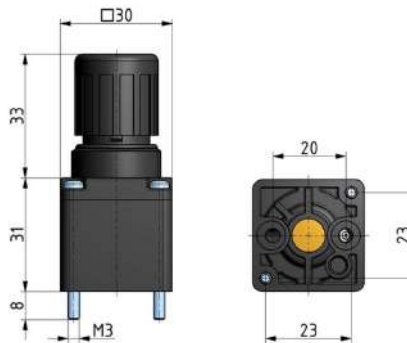
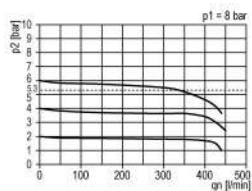


Image shows:
9.160X.00.103/V

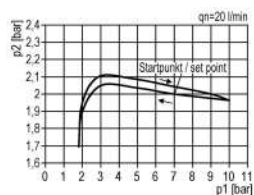
Filter regulator

Filter

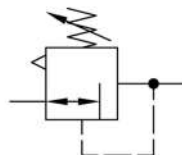
flow characteristic



pressure characteristic



symbol



Pressure regulator

Lubricator

System extensions

technical data

- **description:** air line regulator with diaphragm and relieving feature, cartridge regulation, flange mounting
- **medium:** compressed air, medical oxygen, NO₂ (nitrous oxide)
- **supply pressure P1 max.:** 10 bar
- **temperature range:** 0 - 60°C

accessories

Accessories

Special products

type

KDR.FL mO

part-number

9.160X.00.103/V

description

Pressure regulator 30x30 flange mounting 0,2-8 for medical oxygen with cartridge regulation and relieving feature

price (pre-tax)

102.45 €

Pressure regulator | BGO



Image shows:
9.1500.00.000.0V

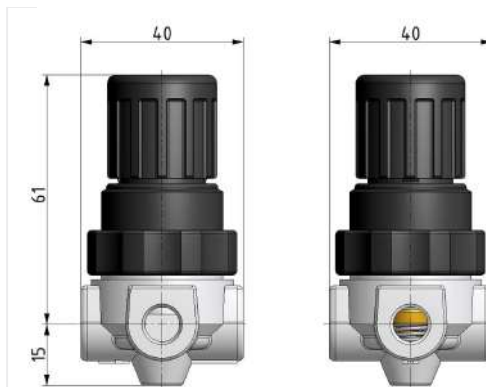


Image shows:
9.1500.00.000.0V

Service 3 unit

Service 2 unit

Filter regulator

Filter

Pressure regulator

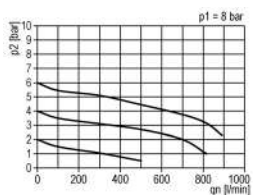
Lubricator

System extensions

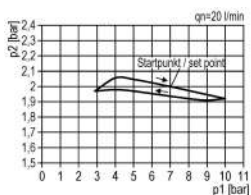
Accessories

Special products

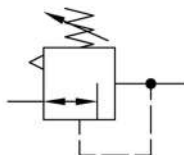
flow characteristic



pressure characteristic



symbol



technical data

- **description:** air line regulator with diaphragm and relieving feature
- **medium:** compressed air, neutral gases
- **supply pressure P1 max.:** 25 bar
- **temperature range:** 0 - 60°C

accessories



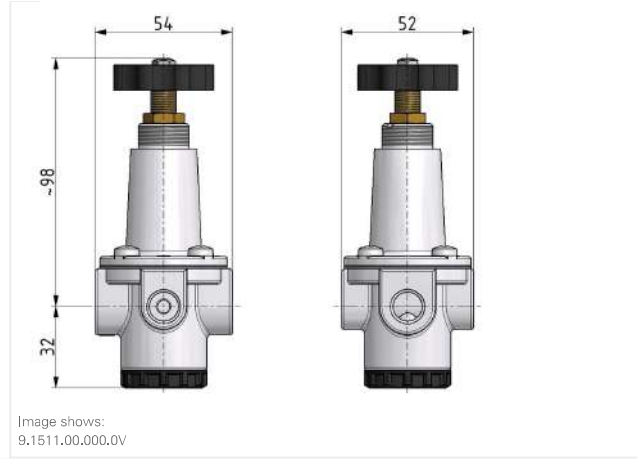
- control panel mounting:
[WH.M 30/DR.00-34](#)

type	part-number	description	price (pre-tax)
DR.00	9.1500.00.000.0V	Pressure regulator G1/8 0,5-10	27.45 €

Pressure regulator | BG1

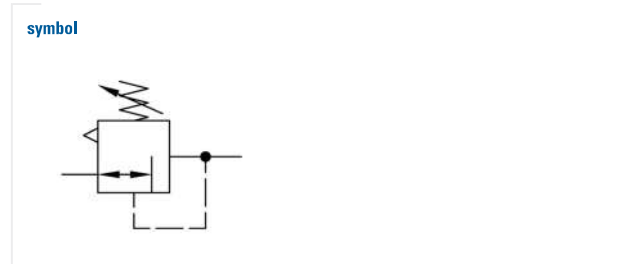
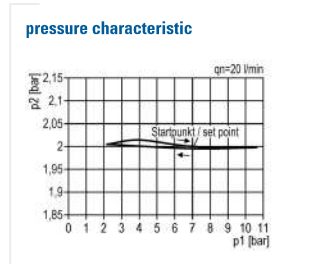
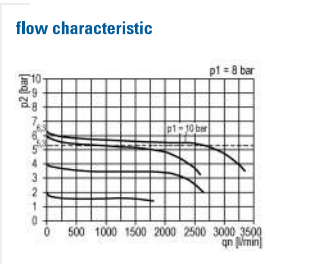
Service 3 unit

Service 2 unit



Filter regulator

Filter



Pressure regulator

Lubricator

technical data

- **description:** air line regulator with diaphragm and relieving feature
- **medium:** compressed air, neutral gases
- **supply pressure P1 max.:** 25 bar
- **temperature range:** 0 - 60°C

accessories

• mounting bracket: [BW.10](#)

• control panel mounting:
[WH.M.20/DR.11-7](#)

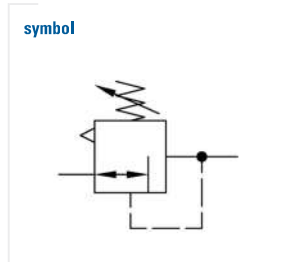
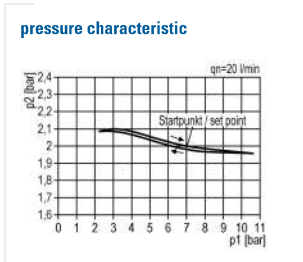
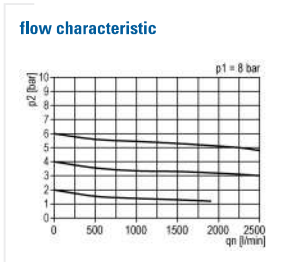
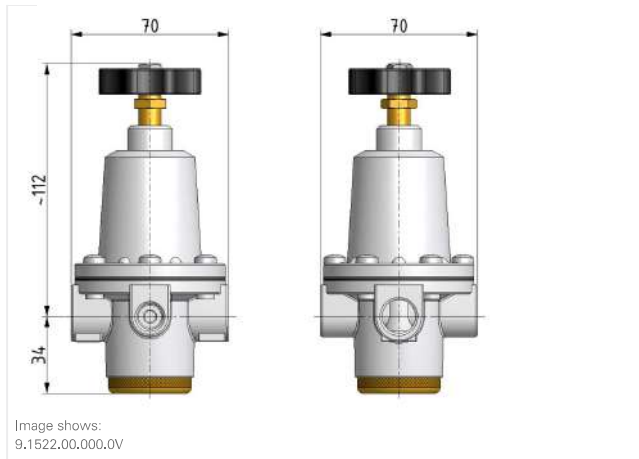
System extensions

Accessories

type	part-number	description	price (pre-tax)
DR.11	9.1511.00.000.0V	Pressure regulator G1/4 0,5-10	32.47 €
DR.12	9.1512.00.000.0V	Pressure regulator G3/8 0,5-10	32.47 €

Special products

Pressure regulator | BG2



technical data

- **description:** air line regulator with diaphragm and relieving feature
- **medium:** compressed air, neutral gases
- **supply pressure P1 max.:** 25 bar
- **temperature range:** 0 - 60°C

accessories

- mounting bracket: [BW.20](#)
- control panel mounting: [WH.M 20/DR.11-Z](#)

type	part-number	description	price (pre-tax)
DR.22	9.1522.00.000.0V	Pressure regulator G3/8 0,5-10	47.47 €
DR.23	9.1523.00.000.0V	Pressure regulator G1/2 0,5-10	53.86 €

- Service 3 unit
- Service 2 unit
- Filter regulator
- Filter
- Pressure regulator
- Lubricator
- System extensions
- Accessories
- Special products

Pressure regulator | BG3

Service 3 unit

Service 2 unit



Image shows:
9.1533.00.000.0V

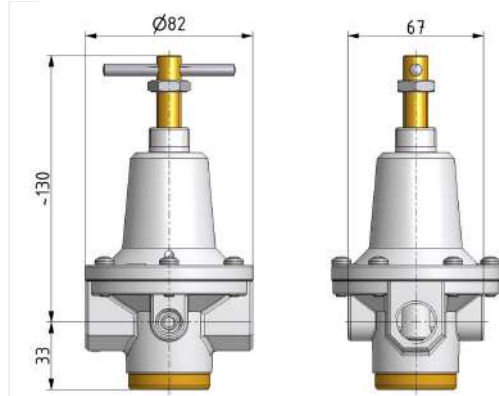
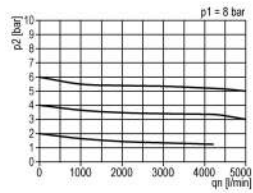


Image shows:
9.1533.00.000.0V

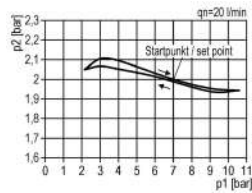
Filter regulator

Filter

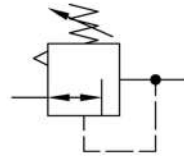
flow characteristic



pressure characteristic



symbol



Pressure regulator

Lubricator

System extensions

technical data

- **description:** air line regulator with diaphragm and relieving feature
- **medium:** compressed air, neutral gases
- **supply pressure P1 max.:** 25 bar
- **temperature range:** 0 - 60°C

accessories



- mounting bracket: [BW.30](#)

- control panel mounting: nut DR.11-7

Accessories

Special products

type	part-number	description	price (pre-tax)
DR.33	9.1533.00.000.0V	Pressure regulator G1/2 0,5-10	57.85 €

Pressure regulator | BG3



Image shows:
9.1534.00.000.0V

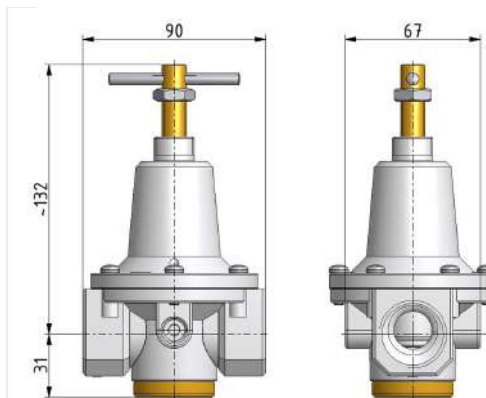


Image shows:
9.1534.00.000.0V

Service 3 unit

Service 2 unit

Filter regulator

Filter

Pressure regulator

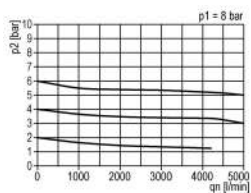
Lubricator

System extensions

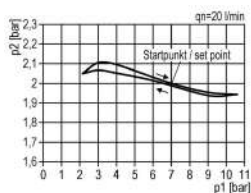
Accessories

Special products

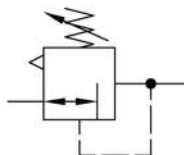
flow characteristic



pressure characteristic



symbol



technical data

- **description:** air line regulator with diaphragm and relieving feature
- **medium:** compressed air, neutral gases
- **supply pressure P1 max.:** 25 bar
- **temperature range:** 0 - 60°C

accessories



- **mounting bracket:** [BW.30](#)

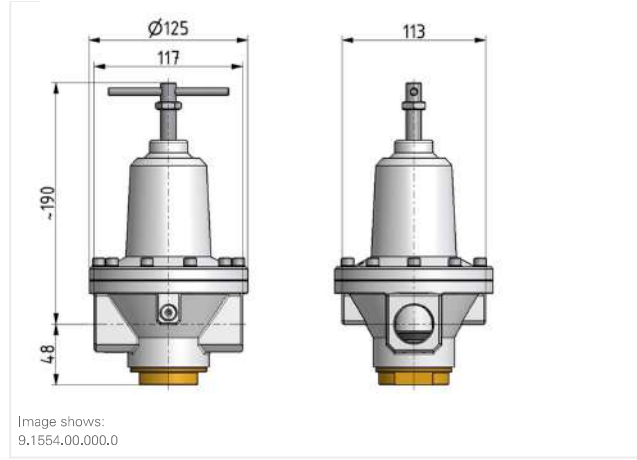
- **control panel mounting:** nut DR.11-7

type	part-number	description	price (pre-tax)
DR.34	9.1534.00.000.0V	Pressure regulator G3/4 0,5-10	129.37 €
DR.35	9.1535.00.000.0V	Pressure regulator G1 0,5-10	109.18 €

Pressure regulator | BG5

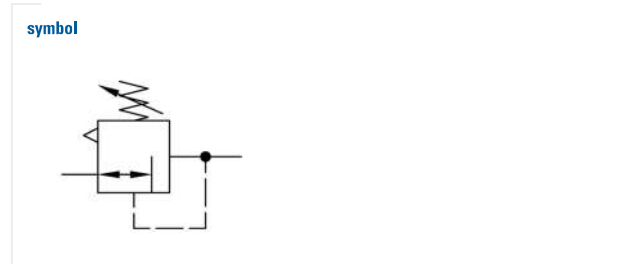
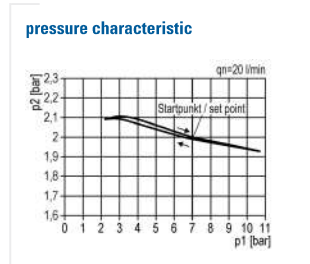
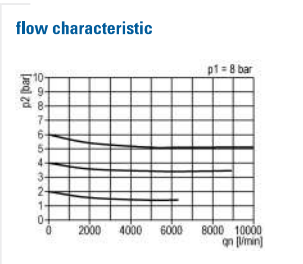
Service 3 unit

Service 2 unit



Filter regulator

Filter



Pressure regulator

Lubricator

technical data

- **description:** air line regulator with diaphragm and relieving feature
- **medium:** compressed air, neutral gases
- **supply pressure P1 max.:** 25 bar
- **temperature range:** 0 - 60°C

accessories

- mounting bracket: [BW.50](#)

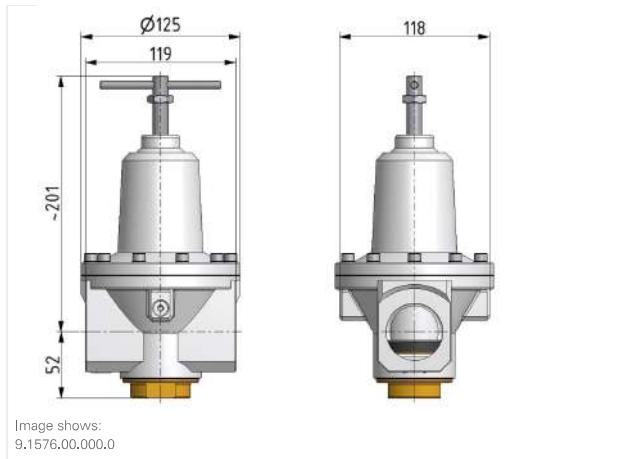
System extensions

Accessories

type	part-number	description	price (pre-tax)
DR.54	9.1554.00.000.0	Pressure regulator G3/4 0,5-10	173.74 €
DR.55	9.1555.00.000.0	Pressure regulator G1 0,5-10	153.55 €

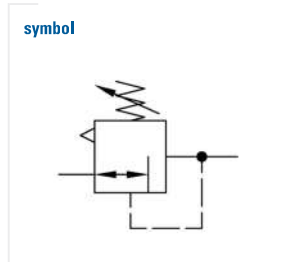
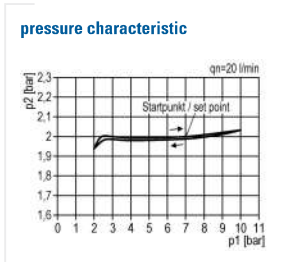
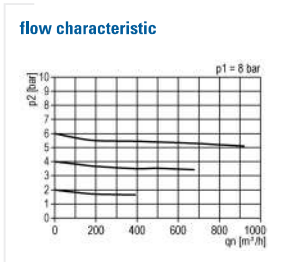
Special products

Pressure regulator | BG7



Service 3 unit

Service 2 unit



Filter regulator

Filter

technical data

- **description:** air line regulator with diaphragm and relieving feature
- **medium:** compressed air, neutral gases
- **supply pressure P1 max.:** 25 bar
- **temperature range:** 0 - 60°C

accessories

- **mounting bracket:** [BW.50](#)

Pressure regulator

Lubricator

System extensions

type	part-number	description	price (pre-tax)
DR.76	9.1576.00.000.0	Pressure regulator G1 1/4 0,5-10	288.96 €
DR.77	9.1577.00.000.0	Pressure regulator G1 1/2 0,5-10	249.20 €

Accessories

Special products

Pressure regulator pilot control | BG5

Service 3 unit

Service 2 unit



Image shows:
9.1554.00.200.0

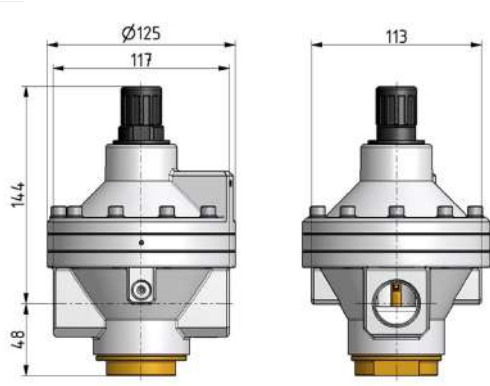
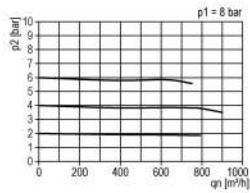


Image shows:
9.1554.00.200.0

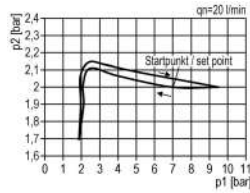
Filter regulator

Filter

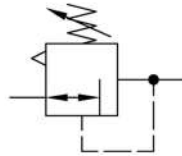
flow characteristic



pressure characteristic



symbol



Pressure regulator

Lubricator

System extensions

technical data

- **description:** air line regulator with diaphragm and relieving feature, pilot operated
- **medium:** compressed air, neutral gases
- **supply pressure P1 max.:** 25 bar
- **temperature range:** 0 - 60°C

accessories



- mounting bracket: [BW.50](#)

- lockable setting knob possible

Accessories

Special products

type	part-number	description	price (pre-tax)
DRP.54	9.1554.00.200.0	Pressure regulator G3/4 0,5-10 pilot control	287.58 €
DRP.55	9.1555.00.200.0	Pressure regulator G1 0,5-10 pilot control	261.88 €

Pressure regulator pilot control | BG7



Image shows:
9.1576.00.200.0

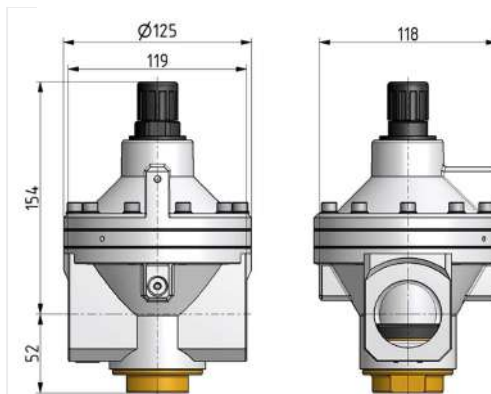


Image shows:
9.1576.00.200.0

Service 3 unit

Service 2 unit

Filter regulator

Filter

Pressure regulator

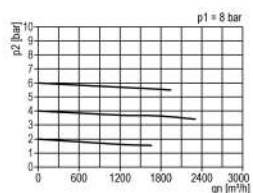
Lubricator

System extensions

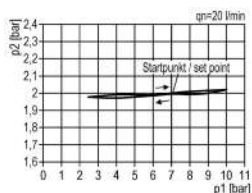
Accessories

Special products

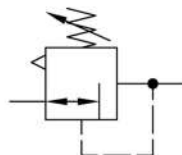
flow characteristic



pressure characteristic



symbol



technical data

- **description:** air line regulator with diaphragm and relieving feature, pilot operated
- **medium:** compressed air, neutral gases
- **supply pressure P1 max.:** 25 bar
- **temperature range:** 0 - 60°C

accessories



- mounting bracket: [BW.50](#)

- lockable setting knob possible

type	part-number	description	price (pre-tax)
DRP.76	9.1576.00.200.0	Pressure regulator G1 1/4 0,5-10 pilot control	452.00 €
DRP.77	9.1577.00.200.0	Pressure regulator G1 1/2 0,5-10 pilot control	422.31 €

Pressure regulator pilot control | BG8

Service 3 unit

Service 2 unit



Image shows:
9.1587.00.200.0V

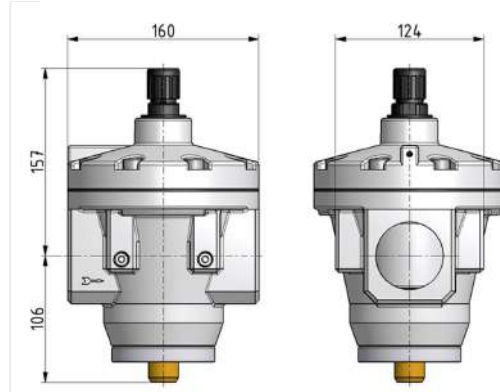
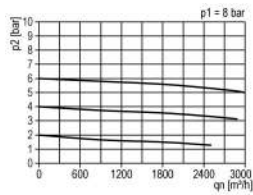


Image shows:
9.1587.00.200.0V

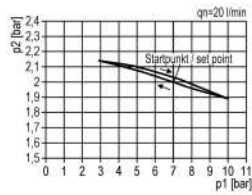
Filter regulator

Filter

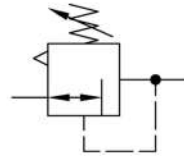
flow characteristic



pressure characteristic



symbol



Pressure regulator

Lubricator

System extensions

technical data

- **description:** air line regulator with diaphragm and relieving feature, pilot operated
- **medium:** compressed air, neutral gases
- **supply pressure P1 max.:** 25 bar
- **temperature range:** 0 - 60°C

accessories

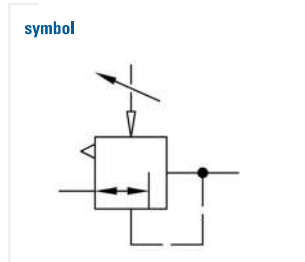
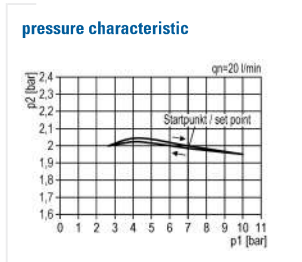
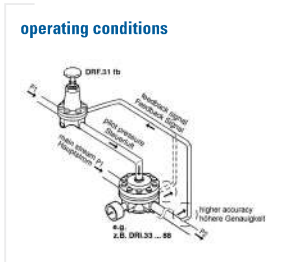
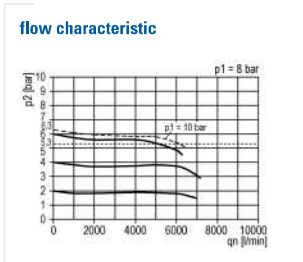
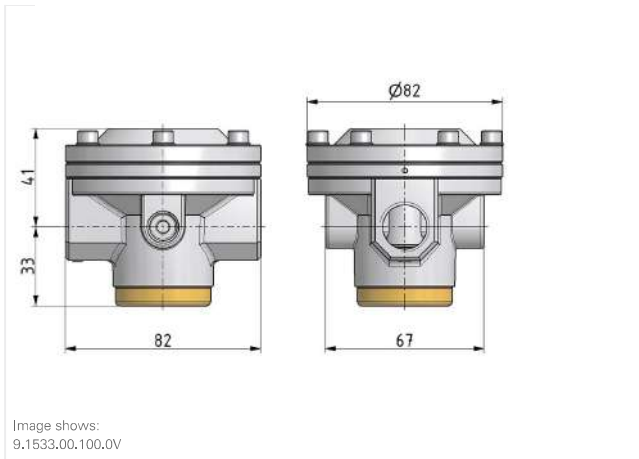
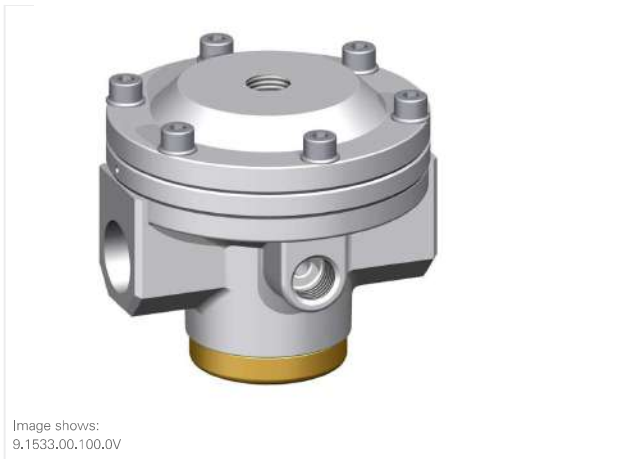
- lockable setting knob possible

Accessories

Special products

type	part-number	description	price (pre-tax)
DRP.87	9.1587.00.200.0V	Pressure regulator G1 1/2 0,5-10 pilot control	622.37 €
DRP.88	9.1588.00.200.0V	Pressure regulator G2 0,5-10 pilot control	579.26 €

Pressure regulator pneumatic pilot operated | BG3



technical data

- **description:** air line regulator with diaphragm and relieving feature, pneumatic pilot-operated (1:1)
- **medium:** compressed air, neutral gases
- **supply pressure P1 max.:** 25 bar
- **temperature range:** 0 - 80°C

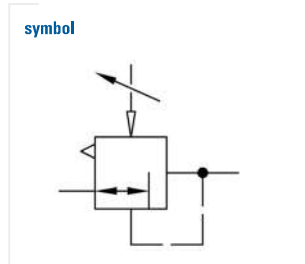
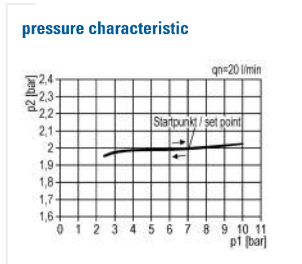
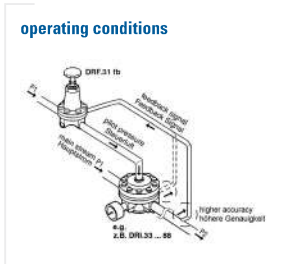
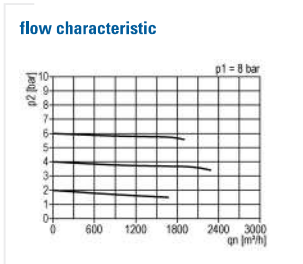
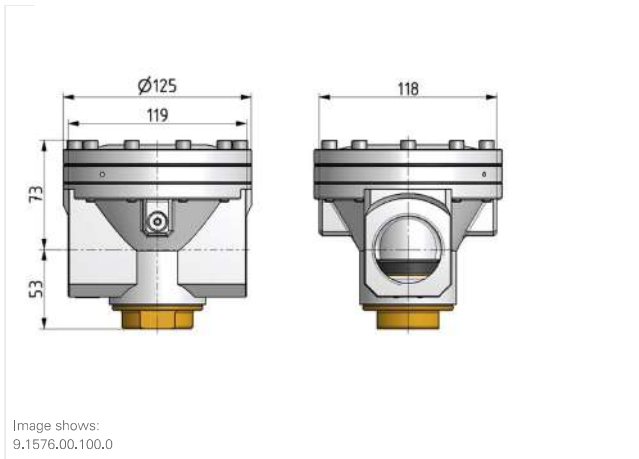
accessories

- **mounting bracket:** [BW.30](#)

type	part-number	description	price (pre-tax)
DRI.33	9.1533.00.100.0V	Pressure regulator G1/2 pneumatic pilot operated (G1/4)	109.76 €

- Service 3 unit
- Service 2 unit
- Filter regulator
- Filter
- Pressure regulator
- Lubricator
- System extensions
- Accessories
- Special products

Pressure regulator pneumatic pilot operated | BG7



technical data

- **description:** air line regulator with diaphragm and relieving feature, pneumatic pilot-operated (1:1)
- **medium:** compressed air, neutral gases
- **supply pressure P1 max.:** 25 bar
- **temperature range:** 0 - 80°C

accessories

- **mounting bracket:** [BW.50](#)

type	part-number	description	price (pre-tax)
DRI.76	9.1576.00.100.0	Pressure regulator G1 1/4 pneumatic pilot operated (G1/4)	290.11 €
DRI.77	9.1577.00.100.0	Pressure regulator G1 1/2 pneumatic pilot operated (G1/4)	260.43 €

- Service 3 unit
- Service 2 unit
- Filter regulator
- Filter
- Pressure regulator
- Lubricator
- System extensions
- Accessories
- Special products

Pressure regulator pneumatic pilot operated | BG8

Service 3 unit

Service 2 unit



Image shows:
9.1587.00.100.0V

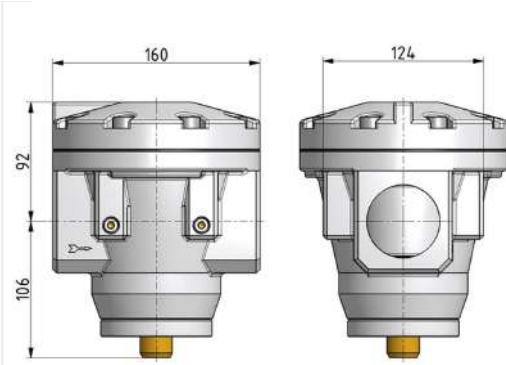
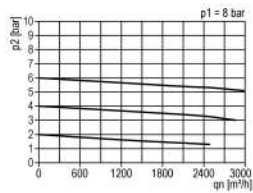


Image shows:
9.1587.00.100.0V

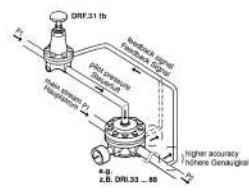
Filter regulator

Filter

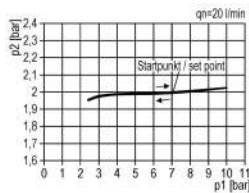
flow characteristic



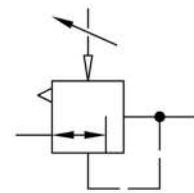
operating conditions



pressure characteristic



symbol



Pressure regulator

Lubricator

System extensions

technical data

- **description:** air line regulator with diaphragm and relieving feature, pneumatic pilot-operated (1:1)
- **medium:** compressed air, neutral gases
- **supply pressure P1 max.:** 25 bar
- **temperature range:** 0 - 80°C

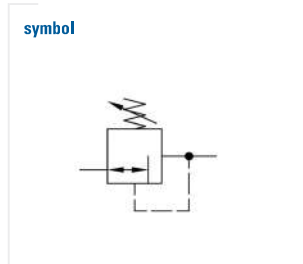
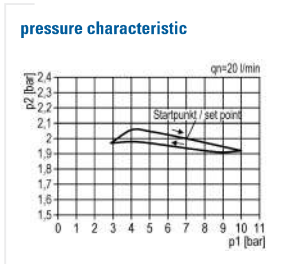
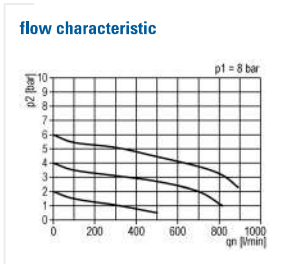
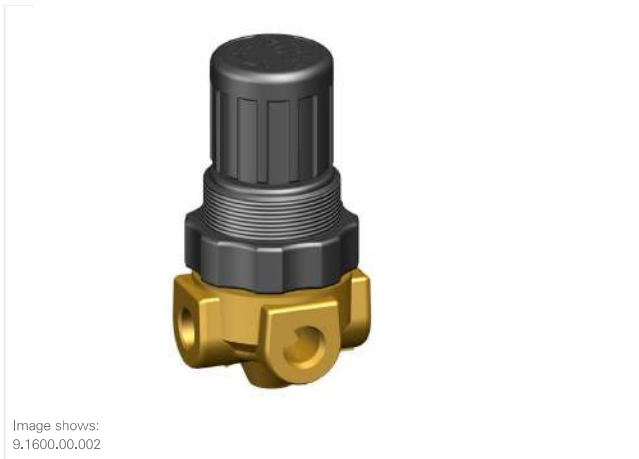
accessories

Accessories

Special products

type	part-number	description	price (pre-tax)
DRI.87	9.1587.00.100.0V	Pressure regulator G1 1/2 pneumatic pilot operated (G1/4)	612.37 €
DRI.88	9.1588.00.100.0V	Pressure regulator G2 pneumatic pilot operated (G1/4)	569.26 €

Pressure regulator for oxygen | BGO



technical data

- **description:** air line regulator with diaphragm without relieving feature
- **medium:** compressed air, medical oxygen, NO₂ (nitrous oxide)
- **supply pressure P1 max.:** 14 bar
- **temperature range:** 0 - 50°C

accessories

- **control panel mounting:**
[WH.M 30/DR.00-34](#)

type	part-number	description	price (pre-tax)
DR.00 mO	9.1600.00.002	Pressure regulator G1/8 0,5-10 for medical oxygen	43,44 €
DR.01 mO	9.1601.00.016	Pressure regulator G1/4 0,5-10 for medical oxygen	43,44 €

- Service 3 unit
- Service 2 unit
- Filter regulator
- Filter
- Pressure regulator
- Lubricator
- System extensions
- Accessories
- Special products

Pressure regulator for oxygen | BG3

Service 3 unit

Service 2 unit



Image shows:
9.1633.00.002

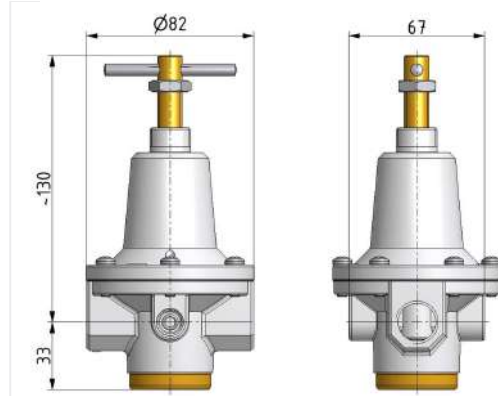
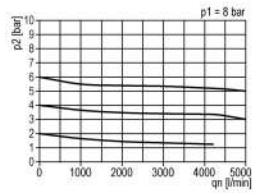


Image shows:
9.1633.00.002

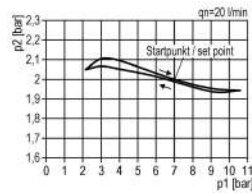
Filter regulator

Filter

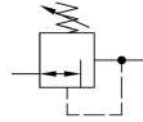
flow characteristic



pressure characteristic



symbol



Pressure regulator

Lubricator

System extensions

technical data

- **description:** air line regulator with diaphragm without relieving feature
- **medium:** compressed air, oxygen, non corrosive gases
- **supply pressure P1 max.:** 14 bar
- **temperature range:** 0 - 50°C

accessories



- mounting bracket: [BW.30](#)

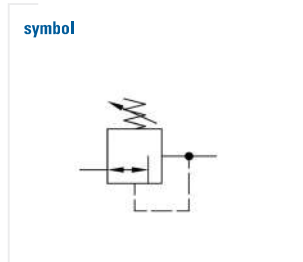
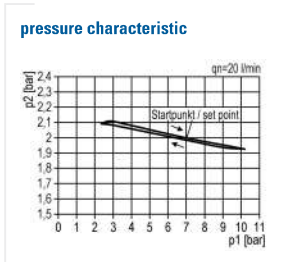
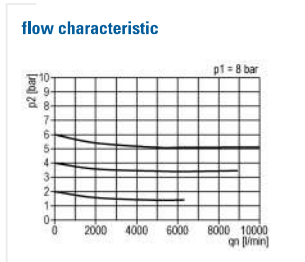
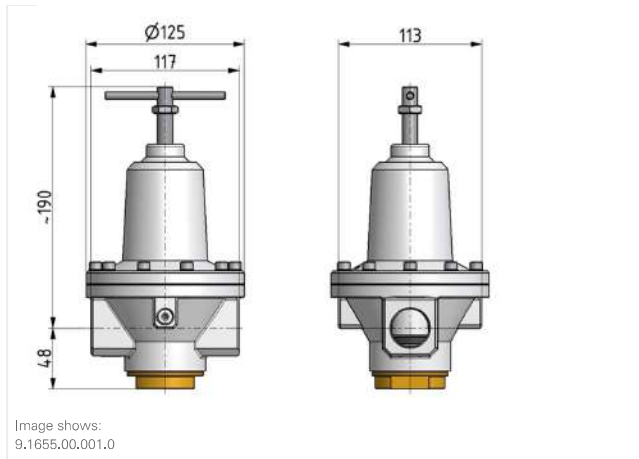
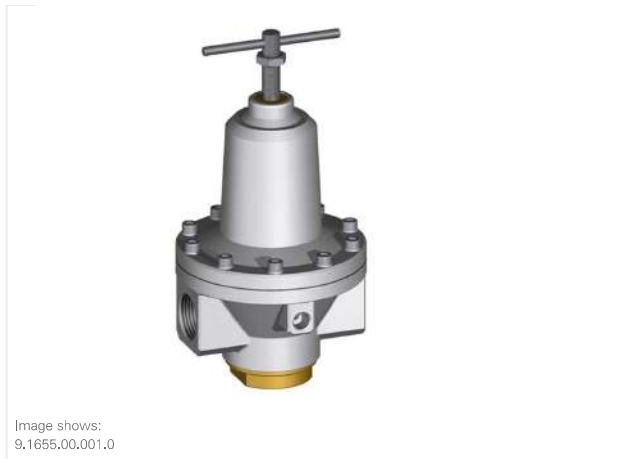
- control panel mounting: nut DR.11-7

Accessories

Special products

type	part-number	description	price (pre-tax)
DR.33 O	9.1633.00.002	Pressure regulator G1/2 0,5-10 for oxygen, free from grease and oil	81,48 €

Pressure regulator for oxygen | BG5



technical data

- **description:** air line regulator with diaphragm without relieving feature
- **medium:** compressed air, oxygen, non corrosive gases
- **supply pressure P1 max.:** 14 bar
- **temperature range:** 0 - 50°C

accessories

- **mounting bracket:** [BW.50](#)

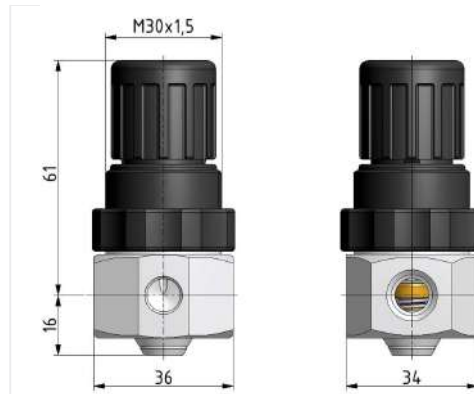
type	part-number	description	price (pre-tax)
DR.55 O	9.1655.00.001.0	Pressure regulator G1 0,5-10 for oxygen	308.72 €

- Service 3 unit
- Service 2 unit
- Filter regulator
- Filter
- Pressure regulator
- Lubricator
- System extensions
- Accessories
- Special products

Pressure regulator stainless steel | BGO

Service 3 unit

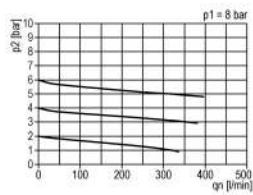
Service 2 unit

Image shows:
9.1501.00.1000.VImage shows:
9.1501.00.1000.V

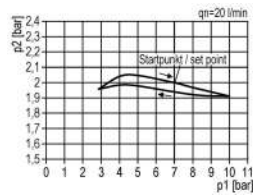
Filter regulator

Filter

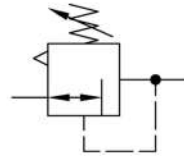
flow characteristic



pressure characteristic



symbol



Pressure regulator

Lubricator

System extensions

Accessories

Special products

technical data

- **description:** air line regulator with diaphragm and relieving feature
- **medium:** compressed air, neutral gases
- **supply pressure P1 max.:** 25 bar
- **temperature range:** 0 - 80°C

accessories

- **control panel mounting:** nut
C.00-34

type

XDR.01

part-number

9.1501.00.1000.V

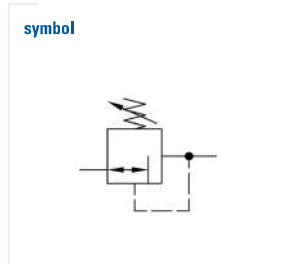
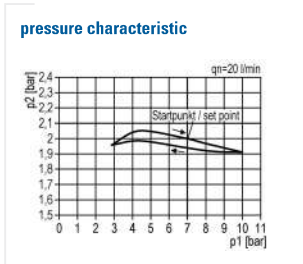
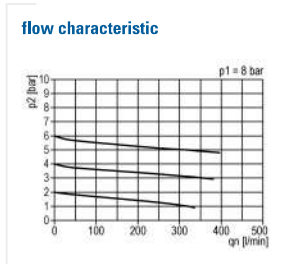
description

Pressure regulator G1/4 0,5-10 stainless steel

price (pre-tax)

122.93 €

Pressure regulator stainless steel | BGO



technical data

- **description:** air line regulator with diaphragm without relieving feature
- **medium:** compressed air, neutral gases
- **supply pressure P1 max.:** 25 bar
- **temperature range:** 0 - 80°C

accessories

- **control panel mounting:** nut C.00-34

type	part-number	description	price (pre-tax)
XXDR.01	9.1501.00.1200.V	Pressure regulator G1/4 0,5-10 from stainless steel (V4A), Viton seals	197.14 €

- Service 3 unit
- Service 2 unit
- Filter regulator
- Filter
- Pressure regulator
- Lubricator
- System extensions
- Accessories
- Special products

Pressure regulator for water | BGO

Service 3 unit

Service 2 unit



Image shows:
9.1500.00.600.V

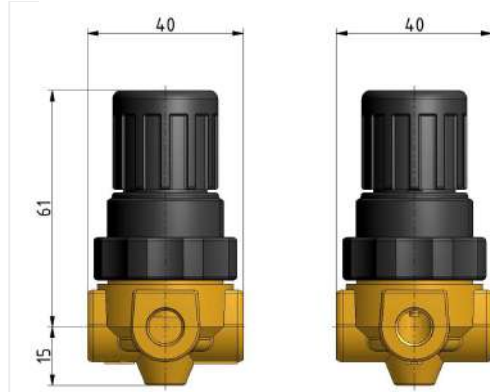
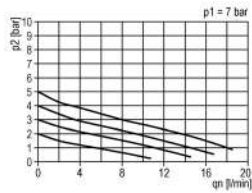


Image shows:
9.1500.00.600.V

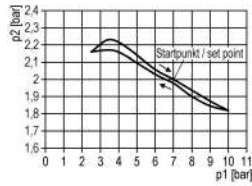
Filter regulator

Filter

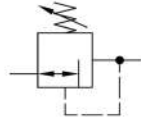
flow characteristic



pressure characteristic



symbol



Pressure regulator

Lubricator

System extensions

technical data

- **description:** air line regulator with diaphragm without relieving feature
- **medium:** water, neutral liquids
- **supply pressure P1 max.:** 25 bar
- **temperature range:** 0 - 50°C

accessories



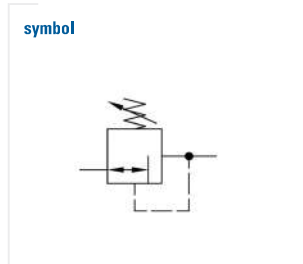
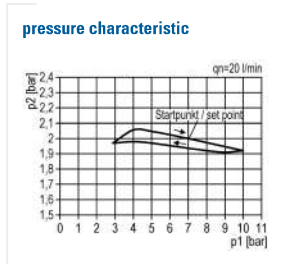
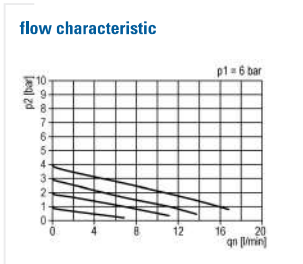
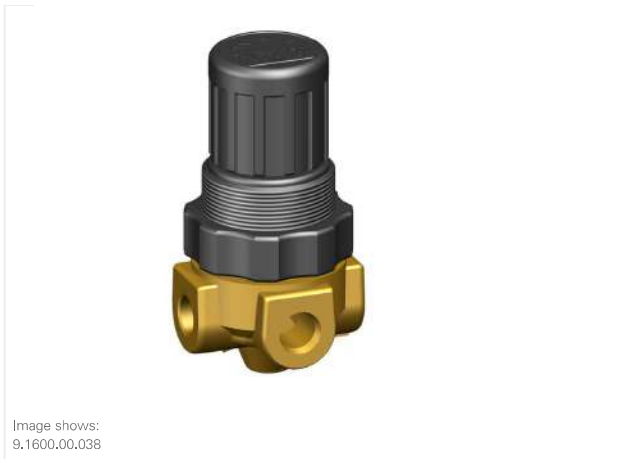
- **control panel mounting:**
[WH.M 30/DR.00-34](#)

Accessories

Special products

type	part-number	description	price (pre-tax)
DR.021-00	9.1500.00.600.V	Pressure regulator G1/8 0,5-10 for water	28.23 €
DR.021-01	9.1501.00.600.V	Pressure regulator G1/4 0,5-10 for water	28.23 €

Pressure regulator for brake fluid | BGO



technical data

- **description:** air line regulator with diaphragm without relieving feature
- **medium:** brake fluid
- **supply pressure P1 max.:** 25 bar
- **temperature range:** 0 - 50°C

accessories

- **control panel mounting:**
[WH.M 30/DR.00-34](#)

type	part-number	description	price (pre-tax)
DR.00 B	9.1600.00.038	Pressure regulator G1/8 0,5-10 for brake fluid (EPDM)	40.19 €
DR.01 B	9.1601.00.038	Pressure regulator G1/4 0,5-10 for brake fluid (EPDM)	40.19 €

- Service 3 unit
- Service 2 unit
- Filter regulator
- Filter
- Pressure regulator
- Lubricator
- System extensions
- Accessories
- Special products

Feedback regulator | BG3

Service 3 unit

Service 2 unit



Image shows:
9.6231.00.516.2V

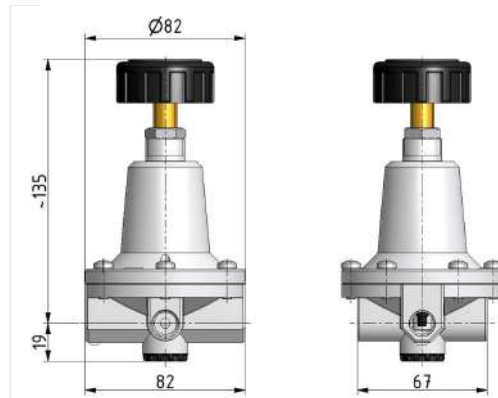
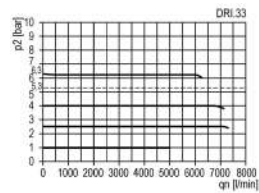


Image shows:
9.6231.00.516.2V

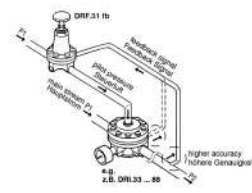
Filter regulator

Filter

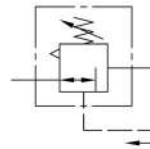
flow characteristic



operating conditions



symbol



Pressure regulator

Lubricator

System extensions

technical data

- **description:** air line regulator with diaphragm for feedback systems (e.g. together with DRI.33 ... 88)
- **medium:** compressed air, neutral gases
- **supply pressure P1 max.:** 16 bar
- **temperature range:** 0 - 60°C
- **air consumption:** 3 - 6 l/min

accessories



- mounting bracket: [BW.30](#)

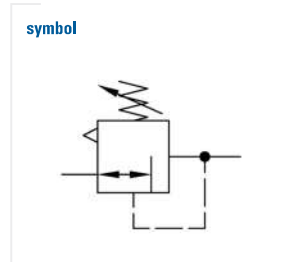
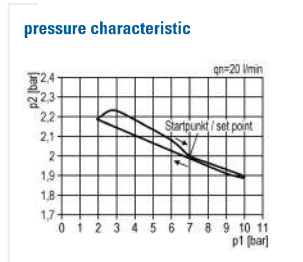
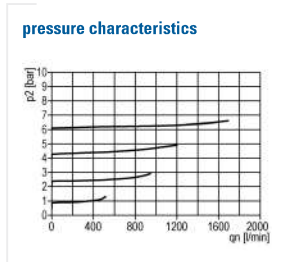
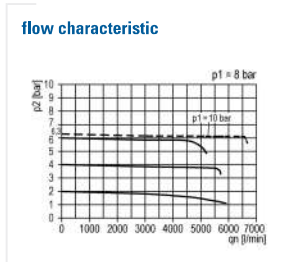
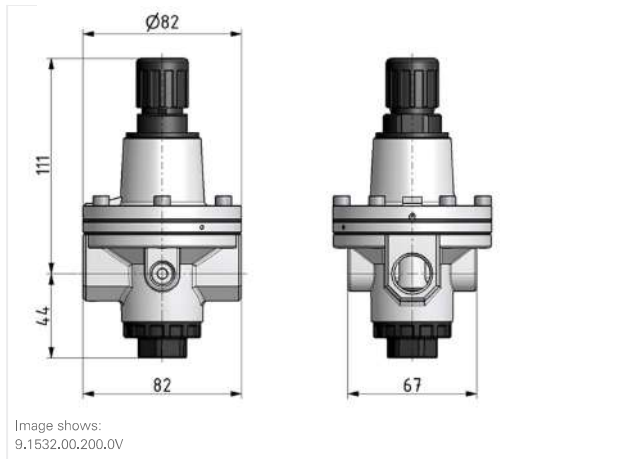
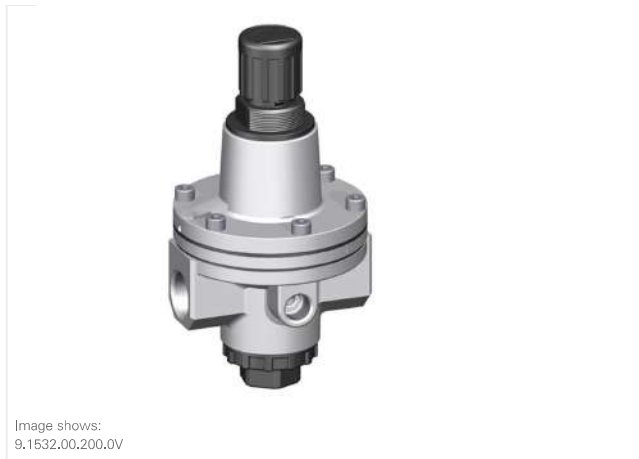
- control panel mounting: nut
DR.11-7

Accessories

Special products

type	part-number	description	price (pre-tax)
DRF.31 fb	9.6231.00.516.2V	Feedback regulator G1/4 0,2-7	131.82 €

Pressure regulator pilot control | BG3



technical data

- **description:** air line regulator with diaphragm and high relieving feature, pilot operated
- **medium:** compressed air, neutral gases
- **supply pressure P1 max.:** 16 bar
- **temperature range:** 0 - 60°C
- **air consumption:** < 1 l/min at P2 6 bar

accessories

- **mounting bracket:** [FDR.03-52](#)

type	part-number	description	price (pre-tax)
DRP.32 HR	9.1532.00.200.0V	Pressure regulator G3/8 0,5-10 pilot control	143.50 €
DRP.33 HR	9.1533.00.200.0V	Pressure regulator G1/2 0,5-10 pilot control	143.50 €

- Service 3 unit
- Service 2 unit
- Filter regulator
- Filter
- Pressure regulator
- Lubricator
- System extensions
- Accessories
- Special products

Precision pressure regulator | BG1

Service 3 unit

Service 2 unit



Image shows:
9.6211.00.000.0V

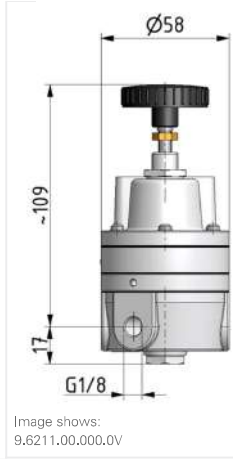
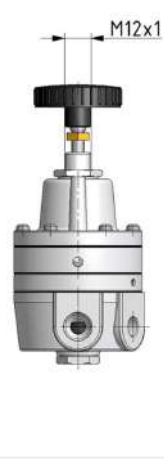


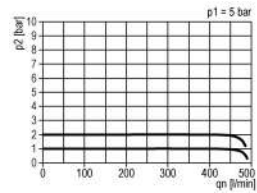
Image shows:
9.6211.00.000.0V



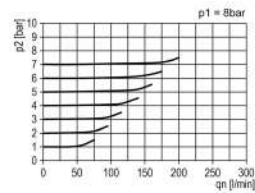
Filter regulator

Filter

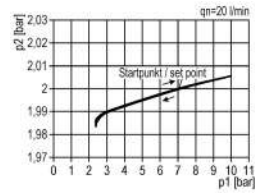
flow characteristic



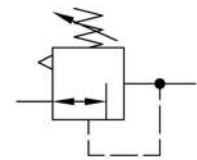
pressure characteristics



pressure characteristic



symbol



Pressure regulator

Lubricator

System extensions

technical data

- **description:** air line regulator with diaphragm and relieving feature
- **medium:** compressed air, neutral gases
- **supply pressure P1 max.:** 16 bar
- **temperature range:** 0 - 60°C
- **air consumption:** < 2,2 l/min at P1 5 bar, < 3,0 l/min at P1 7 bar, < 4,1 l/min at P1 10 bar

accessories



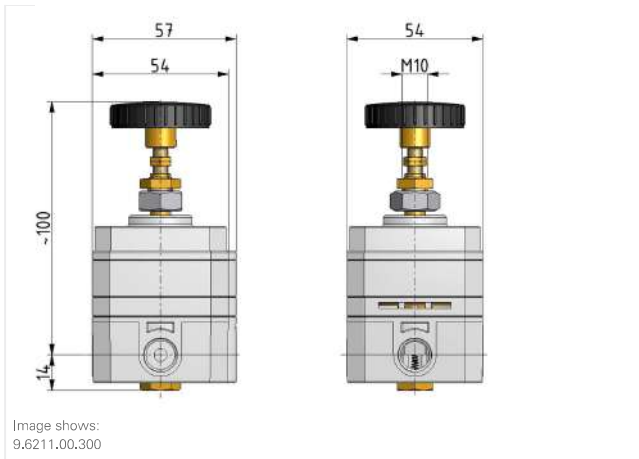
- **mounting bracket:** [FDR.02-52](#)

Accessories

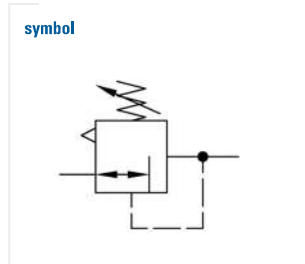
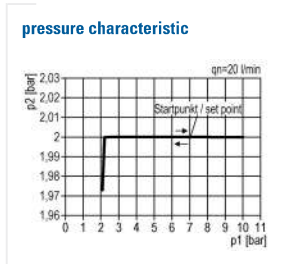
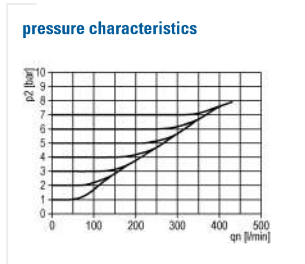
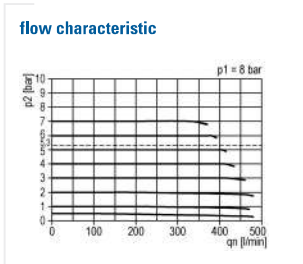
Special products

type	part-number	description	price (pre-tax)
FDR.02 B2 S	9.6211.00.000.0V	Precision pressure regulator G1/4 0,05-2 (nonferrous metal)	110.98 €
FDR.02 B4 S	9.6211.00.001.0V	Precision pressure regulator G1/4 0,05-4 (nonferrous metal)	110.98 €
FDR.02 B7 S	9.6211.00.002.0V	Precision pressure regulator G1/4 0,05-7 (nonferrous metal)	110.98 €
FDR.02 B10 S	9.6211.00.003.0V	Precision pressure regulator G1/4 0,05-10 (nonferrous metal)	110.98 €

Precision pressure regulator | BG1



Service 3 unit
Service 2 unit



Filter regulator
Filter

technical data

- description:** air line regulator with diaphragm and relieving feature, large ventilation cross-section
- medium:** compressed air, neutral gases
- supply pressure P1 max.:** 12 bar
- temperature range:** 0 - 60°C
- air consumption:** 2,6 l/min at $P_2 = 6$ bar

accessories

- mounting bracket:** [FDR.04-34](#)

Pressure regulator
Lubricator
System extensions

type	part-number	description	price (pre-tax)
FDR.04 B8	9.6211.00.300	Precision pressure regulator G1/4 0,1-8	138.32 €
FDR.04 B4	9.6211.00.301	Precision pressure regulator G1/4 0,1-4 (yellow)	138.32 €

Accessories
Special products



Precision pressure regulator | BG1

Service 3 unit

Service 2 unit



Image shows:
9.6211.00.400/V

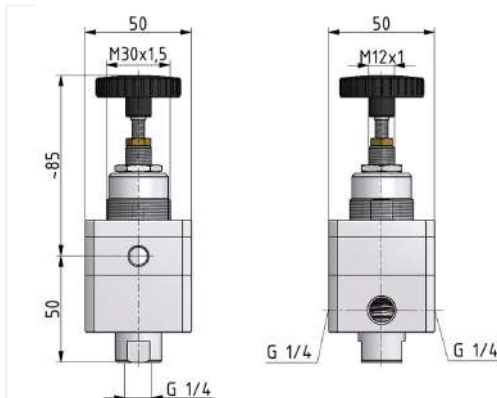
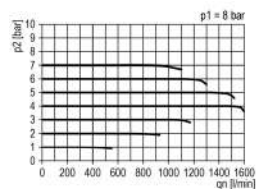


Image shows:
9.6211.00.400/V

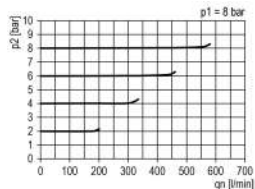
Filter regulator

Filter

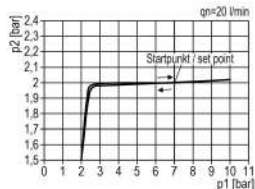
flow characteristic



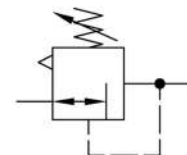
pressure characteristics



pressure characteristic



symbol



Pressure regulator

Lubricator

System extensions

Accessories

Special products

technical data

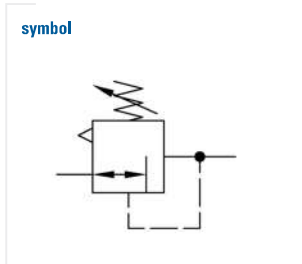
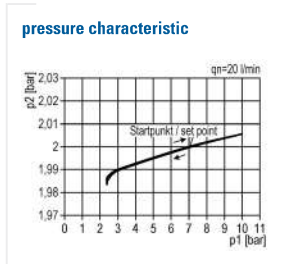
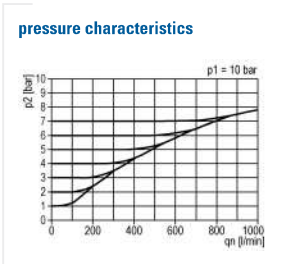
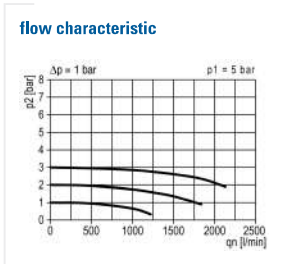
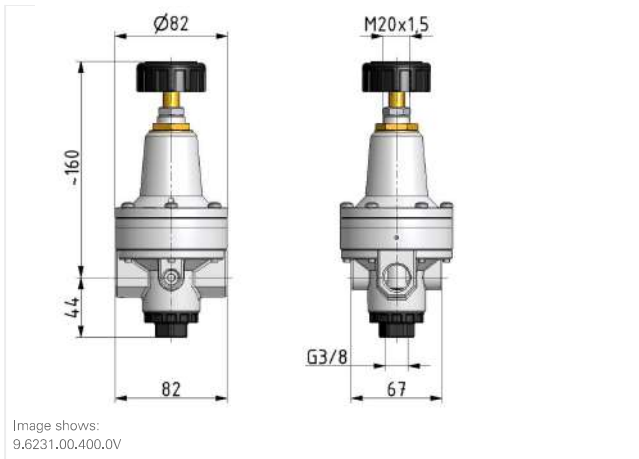
- **description:** air line regulator with diaphragm and high relieving feature
- **medium:** compressed air, neutral gases
- **supply pressure P1 max.:** 16 bar
- **temperature range:** 0 - 60°C
- **control panel nut:** control panel nut
- **air consumption:** < 1,3 l/min at P1 = 8 bar (shut off for downstream air and air consumption with port size G 1/8 bottom side)

accessories

- **control panel mounting:**
[MW.30/DR.00-34-2](#)

type	part-number	description	price (pre-tax)
FDR.07 B8 S	9.6211.00.400/V	Precision pressure regulator G1/4 0,05-8 with panel mounting ring and high relieving feature innovation january 2014	155.85 €

Precision pressure regulator | BG3



technical data

- **description:** air line regulator with diaphragm and relieving feature
- **medium:** compressed air, neutral gases
- **supply pressure P1 max.:** 16 bar
- **temperature range:** -35°C - 60°C (with absolutely dry air)
- **control panel nut:** control panel nut
- **air consumption:** < 1,5 l/min at P1 5 bar, < 2,0 l/min at P1 7 bar, < 4,0 l/min at P1 10 bar, < 6,0 l/min at P1 12 bar

accessories

- **mounting bracket:** [FDR.03-52](#)

Service 3 unit

Service 2 unit

Filter regulator

Filter

Pressure regulator

Lubricator

System extensions

Accessories

Special products

	type	part-number	description	price (pre-tax)
Service 3 unit	FDR.03-31 B3 S	9.6231.00.400.0V	Precision pressure regulator G1/4 0,05-3	165.55 €
	FDR.03-31 B5 S	9.6231.00.401.0V	Precision pressure regulator G1/4 0,05-5	165.55 €
	FDR.03-31 B7 S	9.6231.00.402.0V	Precision pressure regulator G1/4 0,05-7	165.55 €
	FDR.03-31 B10 S	9.6231.00.403.0V	Precision pressure regulator G1/4 0,05-10	165.55 €
Service 2 unit	FDR.03-32 B3 S	9.6232.00.400.0V	Precision pressure regulator G3/8 0,05-3	165.55 €
	FDR.03-32 B5 S	9.6232.00.401.0V	Precision pressure regulator G3/8 0,05-5	165.55 €
	FDR.03-32 B7 S	9.6232.00.402.0V	Precision pressure regulator G3/8 0,05-7	165.55 €
	FDR.03-32 B10 S	9.6232.00.403.0V	Precision pressure regulator G3/8 0,05-10	165.55 €
Filter regulator	FDR.03-33 B3 S	9.6233.00.400.0V	Precision pressure regulator G1/2 0,05-3	165.55 €
	FDR.03-33 B5 S	9.6233.00.401.0V	Precision pressure regulator G1/2 0,05-5	165.55 €
	FDR.03-33 B7 S	9.6233.00.402.0V	Precision pressure regulator G1/2 0,05-7	165.55 €
	FDR.03-33 B10 S	9.6233.00.403.0V	Precision pressure regulator G1/2 0,05-10	165.55 €
Filter				
Pressure regulator				
Lubricator				
System extensions				
Accessories				
Special products				

Precision pressure regulator pneumatic pilot operated | BG3



Image shows:
9.6231.00.460.2V

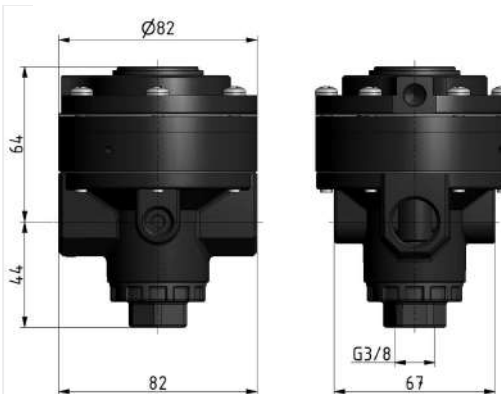


Image shows:
9.6231.00.460.2V

Service 3 unit

Service 2 unit

Filter regulator

Filter

Pressure regulator

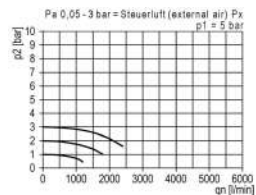
Lubricator

System extensions

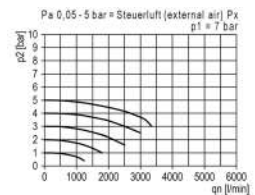
Accessories

Special products

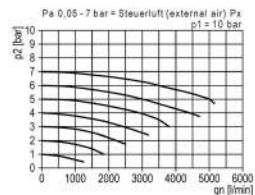
flow characteristic 1



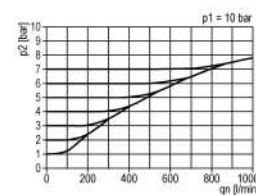
flow characteristic 2



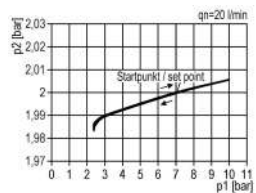
flow characteristic 3



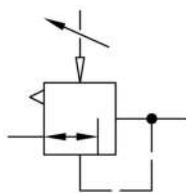
pressure characteristics



pressure characteristic



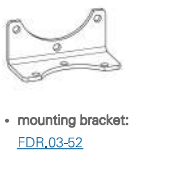
symbol



technical data

- **description:** air line regulator with diaphragm and relieving feature, pneumatic pilot-operated (1:1)
- **medium:** compressed air, neutral gases
- **supply pressure P1 max.:** 16 bar
- **temperature range:** -35°C - 60°C (with absolutely dry air)
- **air consumption:** < 6 l/min at P1 16 bar

accessories



type	part-number	description	price (pre-tax)
FDRI.03-31 B	9.6231.00.460.2V	Precision pressure regulator G1/4 pneumatic pilot operated (G1/8) (black painted)	186.61 €
FDRI.03-32 B	9.6232.00.460.2V	Precision pressure regulator G3/8 pneumatic pilot operated (G1/8) (black painted)	186.61 €
FDRI.03-33 B	9.6233.00.460.2V	Precision pressure regulator G1/2 pneumatic pilot operated (G1/8) (black painted)	186.61 €

Precision pressure regulator | BG1

Service 3 unit

Service 2 unit



Image shows:
9.6211.00.163.0V

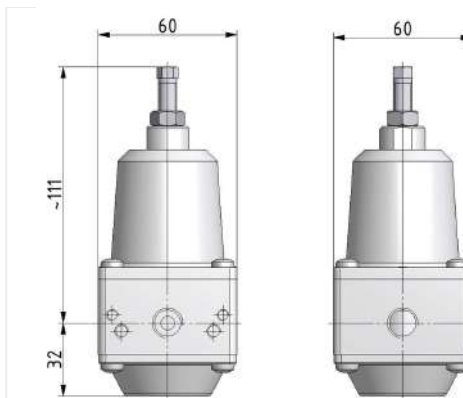
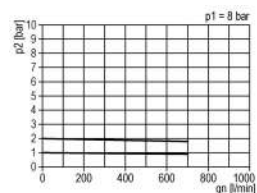


Image shows:
9.6211.00.163.0V

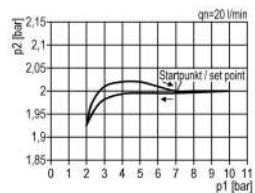
Filter regulator

Filter

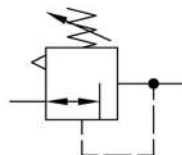
flow characteristic



pressure characteristic



symbol



Pressure regulator

Lubricator

System extensions

technical data

- **description:** air line regulator with diaphragm and relieving feature
- **medium:** compressed air, neutral gases
- **supply pressure P1 max.:** 16 bar
- **temperature range:** 0 - 60°C
- **air consumption:** 0,01 l/min, depend upon secondary pressure

accessories



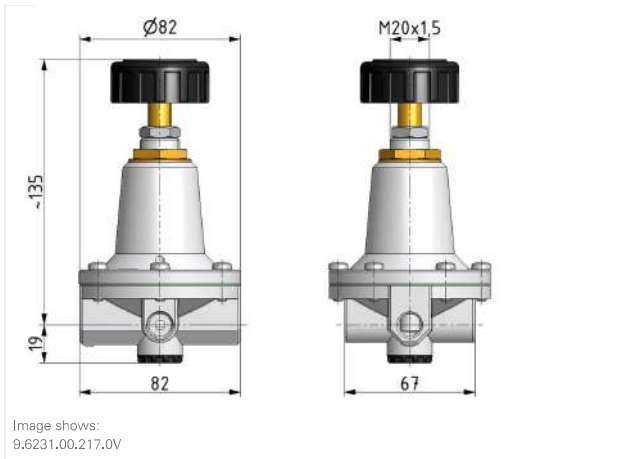
- **mounting bracket:**
[FDP.11-40](#)

Accessories

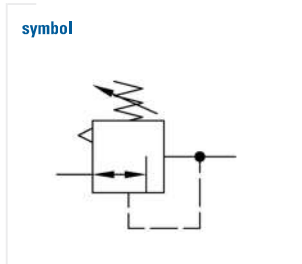
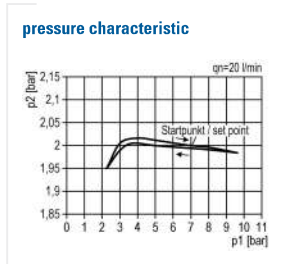
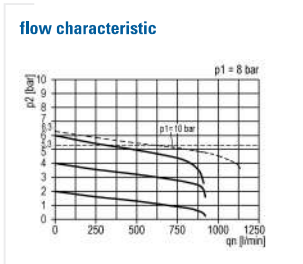
Special products

type	part-number	description	price (pre-tax)
FDR.11 E2	9.6211.00.163.0V	Precision pressure regulator G1/4 0,1-2	70.95 €
FDR.11 E3	9.6211.00.164.0V	Precision pressure regulator G1/4 0,1-3	70.95 €
FDR.11 E5	9.6211.00.165.0V	Precision pressure regulator G1/4 0,2-5	70.95 €

Precision regulator | BG3



Service 3 unit
Service 2 unit



Filter regulator
Filter

technical data

- **description:** air line regulator with diaphragm and relieving feature
- **medium:** compressed air, neutral gases
- **supply pressure P1 max.:** 16 bar
- **temperature range:** 0 - 60°C
- **control panel nut:** control panel nut

accessories

Pressure regulator
Lubricator
System extensions

type	part-number	description	price (pre-tax)
DRF.31 S	9.6231.00.217.0V	Fine pressure regulator G1/4 0,5-10 with panel mounting ring	67.75 €

Accessories
Special products