

Pressure regulator | BGO



Image shows:
91700.CC00

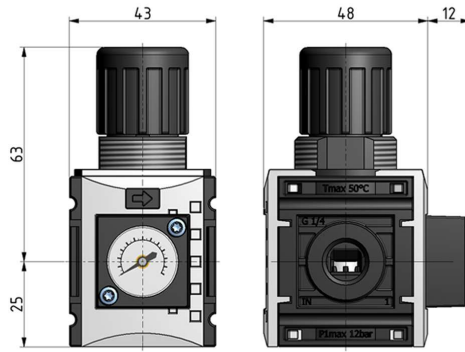


Image shows:
91700.CC00

Service 3 unit

Service 2 unit

Filter regulator

Filter

Pressure regulator

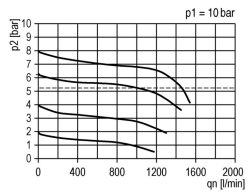
Lubricator

System extensions

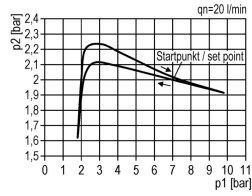
Accessories

Special products

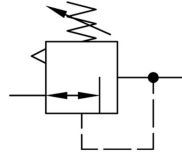
flow characteristic



pressure characteristic



symbol



technical data

- **description:** air line regulator with diaphragm and relieving feature
- **medium:** compressed air, neutral gases
- **supply pressure P1 max.:** 12 bar
- **temperature range:** 0 - 50°C

accessories



- **mounting bracket:**
[KBW.0-1225](#)



- **coupling kit wall mounting:**
[KKOP.0W](#)



- **control panel mounting:**
[KBW.0-1227](#) + C.00-34

- **adapter for pressure gauge:**
KKPS.0-54

type

KREG-014/8 G

part-number

91700.CC00

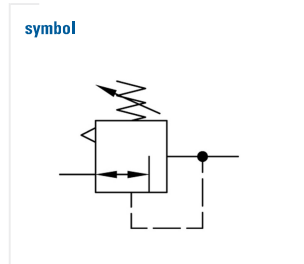
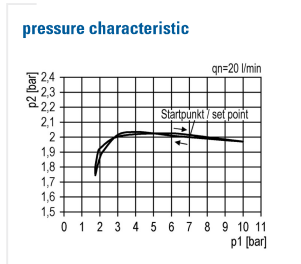
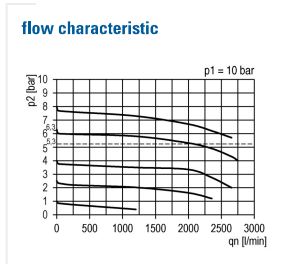
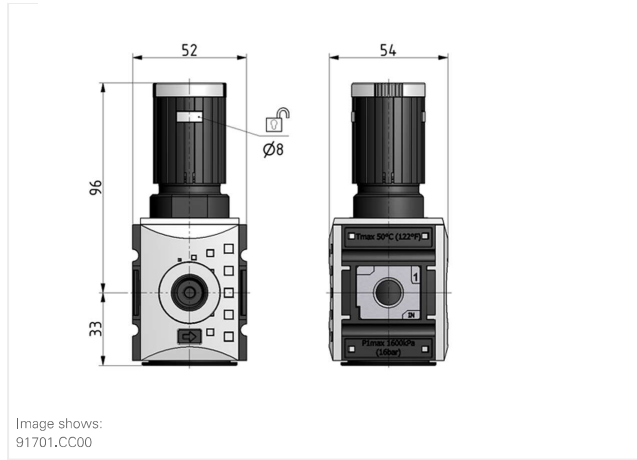
description

Pressure regulator G1/4 0,5-8 with integrated gauge

price (pre-tax)

27.91 €

Pressure regulator | BG1



technical data

- **description:** air line regulator with diaphragm and relieving feature
- **medium:** compressed air, neutral gases
- **supply pressure P1 max.:** 16 bar
- **temperature range:** 0 - 50°C
- **locking:** lockable setting knob

- ### accessories
- **mounting bracket:** [KBW.1-1225](#)
 - **coupling kit wall mounting:** [KKOP.1W](#)
 - **control panel mounting:** [KBW.1-1227](#) + SM.1
 - **rotary lock:** VH.31 without key or VH.32 with key

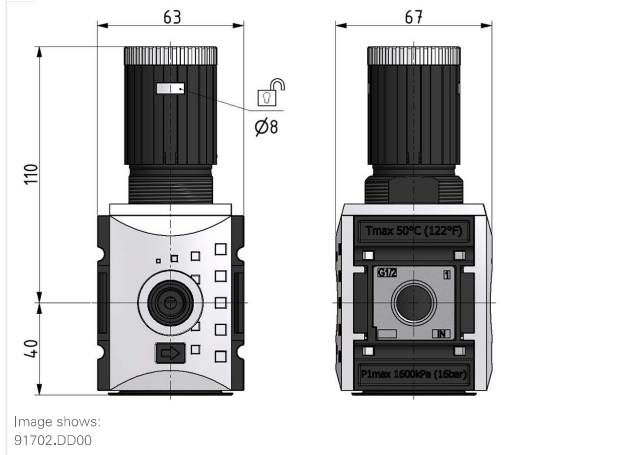
type	part-number	description	price (pre-tax)
KREG-114/8	91701.CC00	Pressure regulator G1/4 0,5-8	28.31 €
KREG-138/8	91701.DD00	Pressure regulator G3/8 0,5-8	28.31 €

- Service 3 unit
- Service 2 unit
- Filter regulator
- Filter
- Pressure regulator
- Lubricator
- System extensions
- Accessories
- Special products

Pressure regulator | BG2

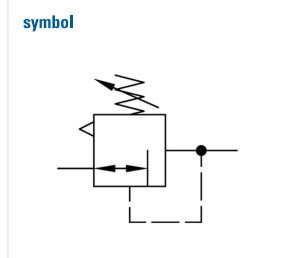
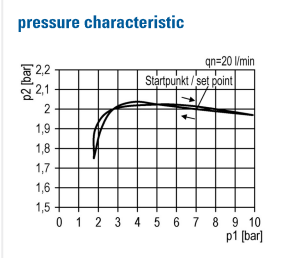
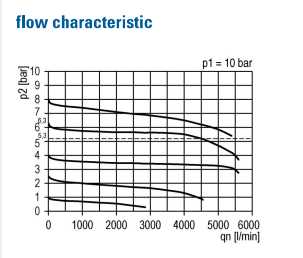
Service 3 unit

Service 2 unit



Filter regulator

Filter



Pressure regulator

Lubricator

System extensions

technical data

- **description:** air line regulator with diaphragm and relieving feature
- **medium:** compressed air, neutral gases
- **supply pressure P1 max.:** 16 bar
- **temperature range:** 0 - 50°C
- **locking:** lockable setting knob

accessories

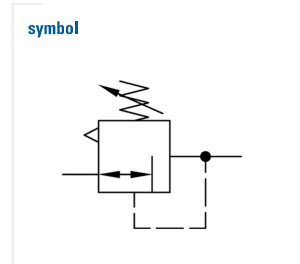
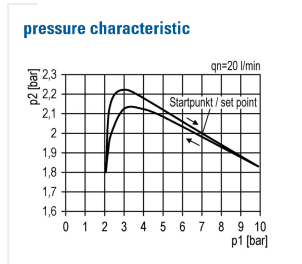
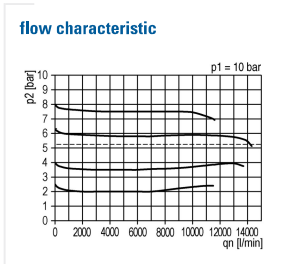
- **mounting bracket:** [KBW.2-1225](#)
- **coupling kit wall mounting:** [KKOP.2W](#)
- **control panel mounting:** [KBW.2-1227](#) + SM.2
- **rotary lock:** VH.31 without key or VH.32 with key

Accessories

Special products

type	part-number	description	price (pre-tax)
KREG-238/8	91702.DD00	Pressure regulator G3/8 0,5-8	47.35 €
KREG-212/8	91702.EE00	Pressure regulator G1/2 0,5-8	47.35 €

Pressure regulator | BG4



technical data

- **description:** air line regulator with diaphragm and relieving feature
- **medium:** compressed air, neutral gases
- **supply pressure P1 max.:** 16 bar
- **temperature range:** 0 - 50°C
- **locking:** lockable setting knob
- **air consumption:** max. 1,5 l/min

- ### accessories
- **mounting bracket:** [KBW.4-1225](#)
 - **coupling kit wall mounting:** [KKOP.4W](#)
 - **control panel mounting:** control panel nut C.33-42
 - **rotary lock:** VH.31 without key or VH.32 with key

type	part-number	description	price (pre-tax)
KREG-434/8	91704.FF00	Pressure regulator G3/4 0,5-8	100.00 €
KREG-41/8	91704.GG00	Pressure regulator G1 0,5-8	100.00 €

- Service 3 unit
- Service 2 unit
- Filter regulator
- Filter
- Pressure regulator
- Lubricator
- System extensions
- Accessories
- Special products

Pressure regulator with continuous pressure supply | BGO

Service 3 unit

Service 2 unit



Image shows:
91730.CC00

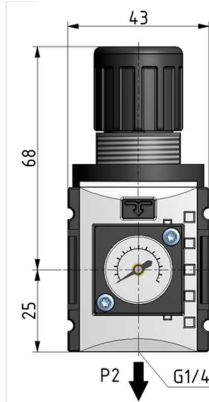
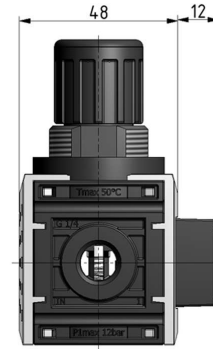


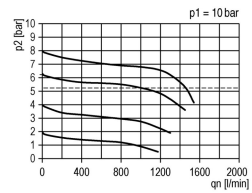
Image shows:
91730.CC00



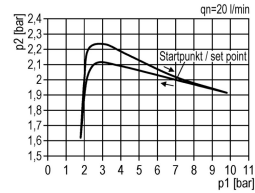
Filter regulator

Filter

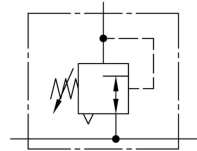
flow characteristic



pressure characteristic



symbol



Pressure regulator

Lubricator

System extensions

technical data

- **description:** air line regulator with diaphragm and relieving feature
- **medium:** compressed air, neutral gases
- **supply pressure P1 max.:** 12 bar
- **temperature range:** 0 - 50°C

accessories



- **mounting bracket:**
[KBW.0-1225](#)



- **coupling kit wall mounting:**
[KKOP.0W](#)



- **control panel mounting:**
[KBW.0-1227](#) + C.00-34

- **adapter for pressure gauge:**
KKPS.0-54

Accessories

Special products

type	part-number	description	price (pre-tax)
KRBE-014/8 G	91730.CC00	Pressure regulator with continuous pressure supply G1/4 0,5-8 and integrated gauge	29.68 €

Pressure regulator with continuous pressure supply | BG1



Image shows:
91731.CC00

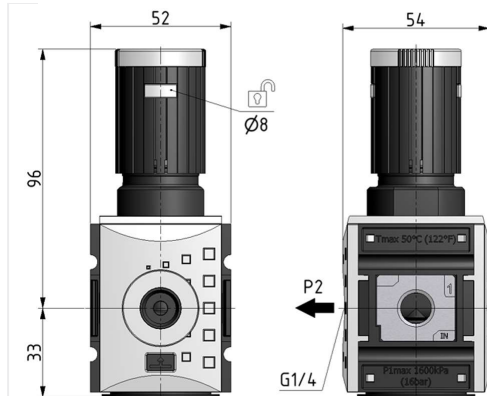


Image shows:
91731.CC00

Service 3 unit

Service 2 unit

Filter regulator

Filter

Pressure regulator

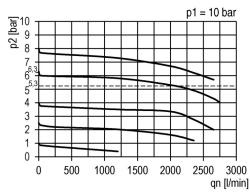
Lubricator

System extensions

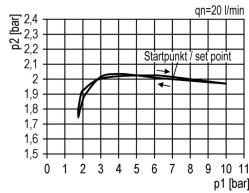
Accessories

Special products

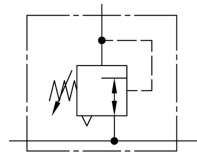
flow characteristic



pressure characteristic



symbol



technical data

- **description:** air line regulator with diaphragm and relieving feature
- **medium:** compressed air, neutral gases
- **supply pressure P1 max.:** 16 bar
- **temperature range:** 0 - 50°C
- **locking:** lockable setting knob

accessories



- **mounting bracket:**
[KBW.1-1225](#)



- **coupling kit wall mounting:**
[KKOP.1W](#)



- **control panel mounting:**
[KBW.1-1227](#) + SM.1

- **rotary lock:** VH.31 without key or VH.32 with key

type	part-number	description	price (pre-tax)
KRBE-114/8	91731.CC00	Pressure regulator with continuous pressure supply G1/4 0,5-8	30.86 €
KRBE-138/8	91731.DD00	Pressure regulator with continuous pressure supply G3/8 0,5-8	30.86 €

Pressure regulator with continuous pressure supply | BG2

- Service 3 unit
- Service 2 unit
- Filter regulator
- Filter
- Pressure regulator
- Lubricator
- System extensions
- Accessories
- Special products



Image shows:
91732.DD00

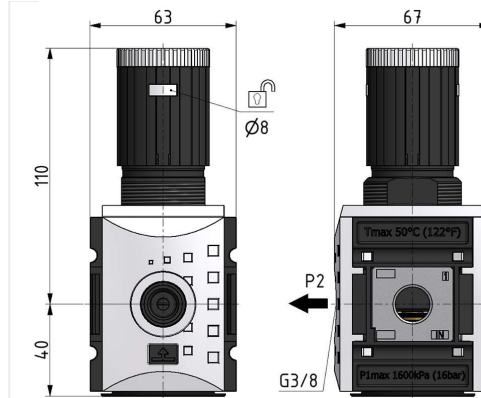
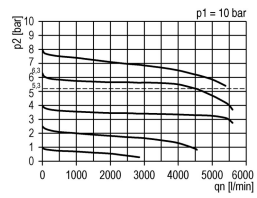
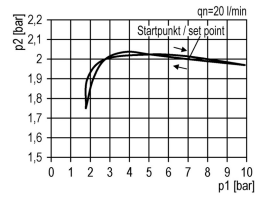


Image shows:
91732.DD00

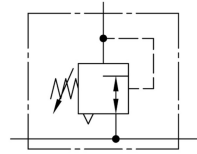
flow characteristic



pressure characteristic



symbol



technical data

- **description:** air line regulator with diaphragm and relieving feature
- **medium:** compressed air, neutral gases
- **supply pressure P1 max.:** 16 bar
- **temperature range:** 0 - 50°C
- **locking:** lockable setting knob

accessories



- **mounting bracket:**
[KBW.2-1225](#)



- **coupling kit wall mounting:**
[KKOP.2W](#)

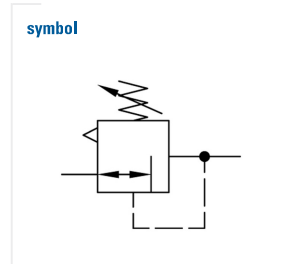
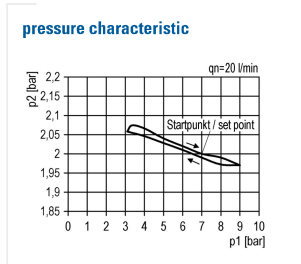
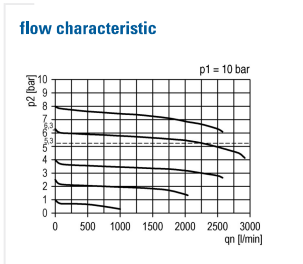
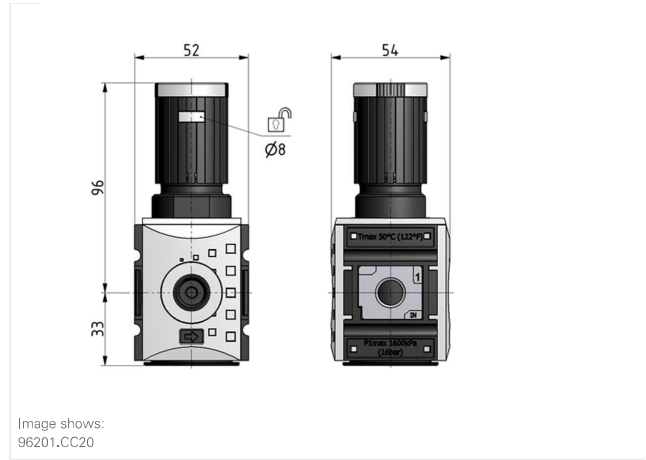


- **control panel mounting:**
[KBW.2-1227](#) + SM.2

- **rotary lock:** VH.31 without key or VH.32 with key

type	part-number	description	price (pre-tax)
KRBE-238/8	91732.DD00	Pressure regulator with continuous pressure supply G3/8 0,5-8	49.49 €
KRBE-212/8	91732.EE00	Pressure regulator with continuous pressure supply G1/2 0,5-8	49.49 €

Precision pressure regulator | BG1



technical data

- **description:** air line regulator with diaphragm and relieving feature
- **medium:** compressed air, neutral gases
- **supply pressure P1 max.:** 16 bar
- **temperature range:** 0 - 50°C
- **locking:** lockable setting knob
- **air consumption:** 2,6 l/min at P2 = 6 bar

- ### accessories
- **mounting bracket:** [KBW.1-1225](#)
 - **coupling kit wall mounting:** [KKOP.1W](#)
 - **control panel mounting:** [KBW.1-1227](#) + SM.1
 - **rotary lock:** VH.31 without key or VH.32 with key

type	part-number	description	price (pre-tax)
KPRG-114/8	96201.CC20	Precision pressure regulator G1/4 0,5-8	48.70 €
KPRG-138/8	96201.DD20	Precision pressure regulator G3/8 0,5-8	48.70 €

- Service 3 unit
- Service 2 unit
- Filter regulator
- Filter
- Pressure regulator
- Lubricator
- System extensions
- Accessories
- Special products

Precision pressure regulator | BG2

Service 3 unit

Service 2 unit



Image shows:
96202.DD20

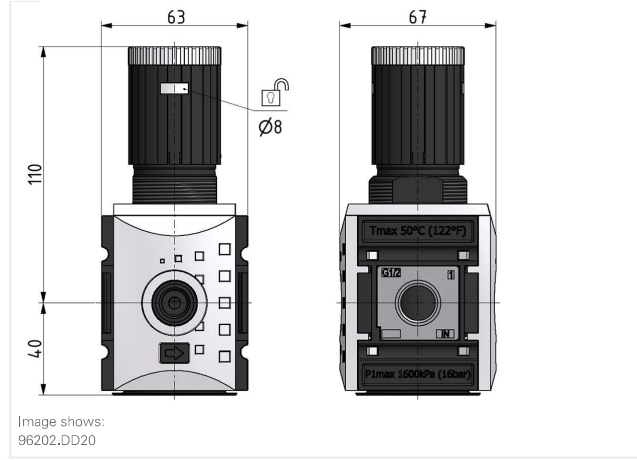
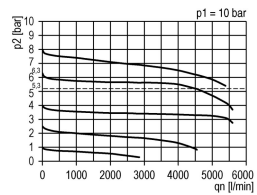


Image shows:
96202.DD20

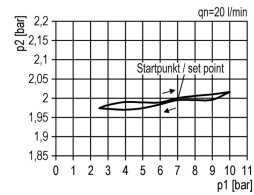
Filter regulator

Filter

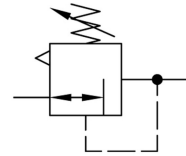
flow characteristic



pressure characteristic



symbol



Pressure regulator

Lubricator

System extensions

technical data

- **description:** air line regulator with diaphragm and relieving feature
- **medium:** compressed air, neutral gases
- **supply pressure P1 max.:** 16 bar
- **temperature range:** 0 - 50°C
- **locking:** lockable setting knob
- **air consumption:** 2,6 l/min at P2 = 6 bar

accessories



- **mounting bracket:**
[KBW.2-1225](#)



- **coupling kit wall mounting:**
[KKOP.2W](#)



- **control panel mounting:**
[KBW.2-1227](#) + SM.2

- **rotary lock:** VH.31 without key or VH.32 with key

Accessories

Special products

type	part-number	description	price (pre-tax)
KPRG-238/8	96202.DD20	Precision pressure regulator G3/8 0,5-8	63.69 €
KPRG-212/8	96202.EE20	Precision pressure regulator G1/2 0,5-8	63.69 €

Precision pressure regulator with continuous pressure supply | BG1



Image shows:
96231.CC20

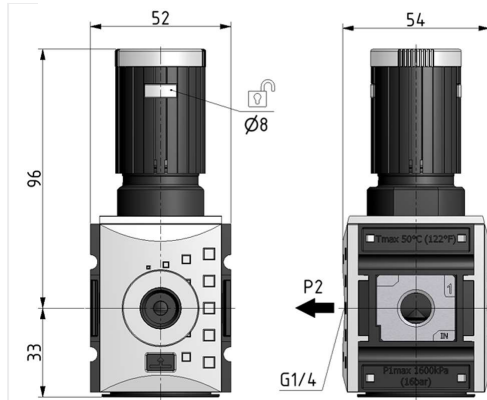
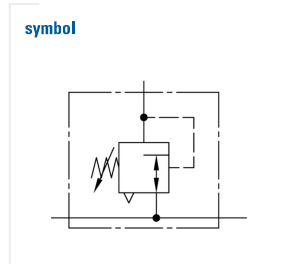
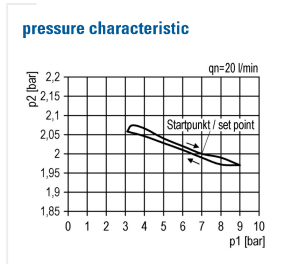
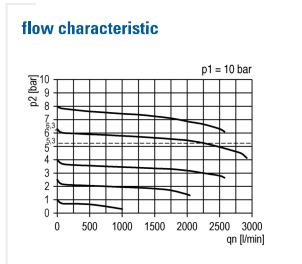


Image shows:
96231.CC20



technical data

- **description:** air line regulator with diaphragm and relieving feature
- **medium:** compressed air, neutral gases
- **supply pressure P1 max.:** 16 bar
- **temperature range:** 0 - 50°C
- **locking:** lockable setting knob
- **air consumption:** 2,6 l/min at P2 = 6 bar

accessories

- **mounting bracket:** [KBW.1-1225](#)
- **coupling kit wall mounting:** [KKOP.1W](#)
- **control panel mounting:** [KBW.1-1227](#) + SM.1
- **rotary lock:** VH.31 without key or VH.32 with key

type	part-number	description	price (pre-tax)
KPRB-114/8	96231.CC20	Precision pressure regulator with continuous pressure supply G1/4 0,5-8	48.70 €
KPRB-138/8	96231.DD20	Precision pressure regulator with continuous pressure supply G3/8 0,5-8	48.70 €

- Service 3 unit
- Service 2 unit
- Filter regulator
- Filter
- Pressure regulator
- Lubricator
- System extensions
- Accessories
- Special products

Precision pressure regulator with continuous pressure supply | BG2

Service 3 unit

Service 2 unit



Image shows:
96232.DD20

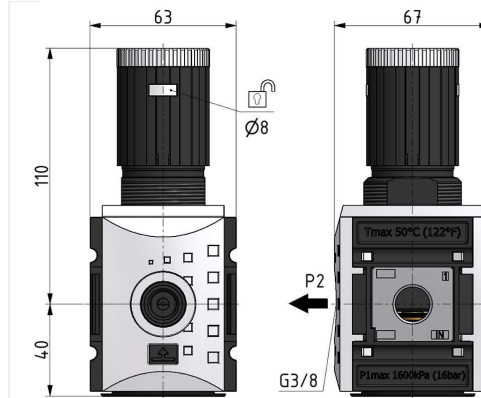
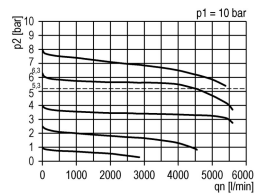


Image shows:
96232.DD20

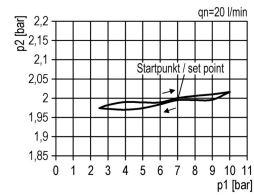
Filter regulator

Filter

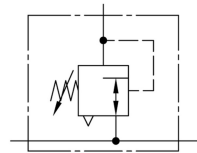
flow characteristic



pressure characteristic



symbol



Pressure regulator

Lubricator

System extensions

technical data

- **description:** air line regulator with diaphragm and relieving feature
- **medium:** compressed air, neutral gases
- **supply pressure P1 max.:** 16 bar
- **temperature range:** 0 - 50°C
- **locking:** lockable setting knob
- **air consumption:** 2,6 l/min at P2 = 6 bar

accessories



- **mounting bracket:**
[KBW.2-1225](#)



- **coupling kit wall mounting:**
[KKOP.2W](#)



- **control panel mounting:**
[KBW.2-1227](#) + SM.2

- **rotary lock:** VH.31 without key or VH.32 with key

Accessories

Special products

type	part-number	description	price (pre-tax)
KPRB-238/8	96232.DD20	Precision pressure regulator with continuous pressure supply G3/8 0,5-8	69.16 €
KPRB-212/8	96232.EE20	Precision pressure regulator with continuous pressure supply G1/2 0,5-8	69.16 €