

## Filter | BGO



Image shows:  
9.1300.00.000

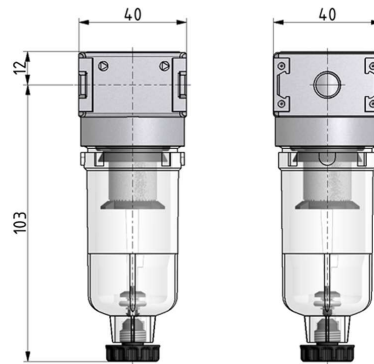


Image shows:  
9.1300.00.000

Service 3 unit

Service 2 unit

Filter regulator

**Filter**

Pressure regulator

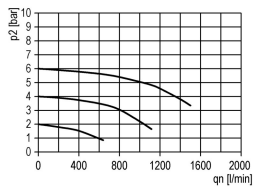
Lubricator

System extensions

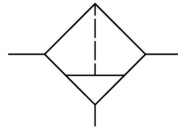
Accessories

Special products

### flow characteristic



### symbol



### technical data

- **description:** sinter filter centrifugal principle
- **medium:** compressed air, neutral gases
- **supply pressure P1 min.:** 1,5 bar
- **supply pressure P1 max.:** 16 bar
- **temperature range:** 0 - 60°C
- **bowl:** PC
- **drain:** HA
- **mounting:** vertical
- **filter element:** 5 µm

### accessories



- **coupling kit wall mounting:**  
[ZW.00-1](#)

	type	part-number	description	price (pre-tax)
Service 3 unit	F.00 HA	9.1300.00.000	Filter G1/8 5µm with PC bowl and semi automatic drain	18.80 €
	F.00 B HA4	9.1300.00.001	Filter G1/8 5µm with PC bowl, bowl guard and semi automatic drain	25.19 €
	F.00 AM10	9.1300.00.004	Filter G1/8 5µm with PC bowl and automatic drain	60.70 €
	F.00 M HA4	9.1300.00.006	Filter G1/8 5µm with metal bowl and semi automatic drain	28.50 €
	F.00 M AM10	9.1300.00.007	Filter G1/8 5µm with metal bowl and automatic drain	69.19 €
Service 2 unit	F.01 HA4	9.1301.00.000	Filter G1/4 5µm with PC bowl and semi automatic drain	18.80 €
	F.01 B HA	9.1301.00.001	Filter G1/4 5µm with PC bowl, bowl guard and semi automatic drain	25.19 €
	F.01 AM10	9.1301.00.004	Filter G1/4 5µm with PC bowl and automatic drain	60.70 €
	F.01 M HA4	9.1301.00.006	Filter G1/4 5µm with metal bowl and semi automatic drain	28.50 €
	F.01 M AM10	9.1301.00.007	Filter G1/4 5µm with metal bowl and automatic drain	69.19 €
Filter regulator				
<b>Filter</b>				
Pressure regulator				
Lubricator				
System extensions				
Accessories				
Special products				

## Filter | BG1



Image shows:  
9.1311.050

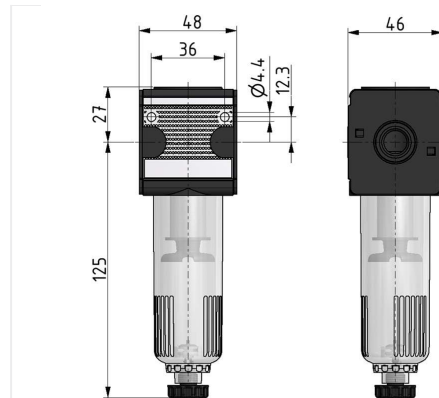


Image shows:  
9.1311.050

Service 3 unit

Service 2 unit

Filter regulator

**Filter**

Pressure regulator

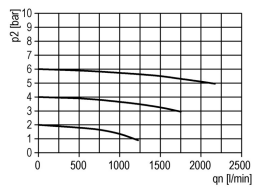
Lubricator

System extensions

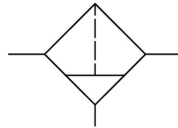
Accessories

Special products

### flow characteristic



### symbol



### technical data

- **description:** sinter filter centrifugal principle
- **medium:** compressed air, neutral gases
- **supply pressure P1 min.:** 1,5 bar
- **supply pressure P1 max.:** 16 bar
- **temperature range:** 0 - 60°C
- **bowl:** PC
- **drain:** HA
- **mounting:** vertical
- **filter element:** 5 µm

### accessories



- **mounting bracket:** [ZW.11-1](#)

	type	part-number	description	price (pre-tax)
Service 3 unit	F.11 HA4	9.1311.050	Filter G1/4 5µm with PC bowl and semi automatic drain	28.78 €
	F.11 H HA3	9.1311.053	Filter G1/4 5µm with metal bowl/visual display and semi automatic drain	50.56 €
	F.11 HA4 B	9.1311.054	Filter G1/4 5µm with PC bowl, bowl guard and semi automatic drain	39.97 €
	F.11 AM10	9.1311.100	Filter G1/4 5µm with PC bowl and automatic drain	69.47 €
	F.11 H AM10	9.1311.103	Filter G1/4 5µm with metal bowl/visual display and automatic drain	91.24 €
Service 2 unit	F.11 AM10 B	9.1311.104	Filter G1/4 5µm with PC bowl, bowl guard and automatic drain	80.66 €
	F.12 HA4	9.1312.050	Filter G3/8 5µm with PC bowl and semi automatic drain	28.78 €
	F.12 H HA3	9.1312.053	Filter G3/8 5µm with metal bowl/visual display and semi automatic drain	50.56 €
	F.12 HA4 B	9.1312.054	Filter G3/8 5µm with PC bowl, bowl guard and semi automatic drain	39.97 €
	F.12 AM10	9.1312.100	Filter G3/8 5µm with PC bowl and automatic drain	69.47 €
Filter regulator	F.12 H AM10	9.1312.103	Filter G3/8 5µm with metal bowl/visual display and automatic drain	91.24 €
	F.12 AM10 B	9.1312.104	Filter G3/8 5µm with PC bowl, bowl guard and automatic drain	80.66 €
<b>Filter</b>				
Pressure regulator				
Lubricator				
System extensions				
Accessories				
Special products				



## Filter | BG2



Image shows:  
9.1322.054

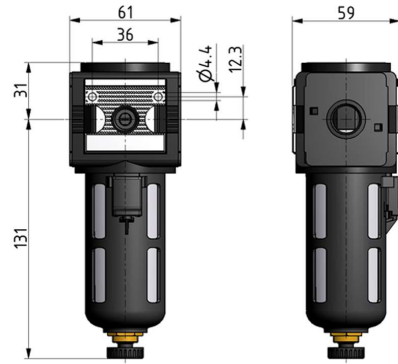


Image shows:  
9.1322.054

Service 3 unit

Service 2 unit

Filter regulator

**Filter**

Pressure regulator

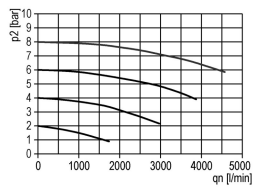
Lubricator

System extensions

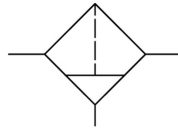
Accessories

Special products

### flow characteristic



### symbol



### technical data

- **description:** sinter filter centrifugal principle
- **medium:** compressed air, neutral gases
- **supply pressure P1 min.:** 1,5 bar
- **supply pressure P1 max.:** 16 bar
- **temperature range:** 0 - 60°C
- **bowl:** PC with steel bowl guard
- **drain:** HA
- **mounting:** vertical
- **filter element:** 5 µm

### accessories



- mounting bracket: [ZW.22-1](#)

### type

F.22 HA3 B

### part-number

9.1322.054

### description

Filter G3/8 5µm with PC bowl, bowl guard and semi automatic drain  
**discontinued december 2013**

### price (pre-tax)

42.51 €

## Filter | BG3

Service 3 unit

Service 2 unit



Image shows:  
9.1333.050

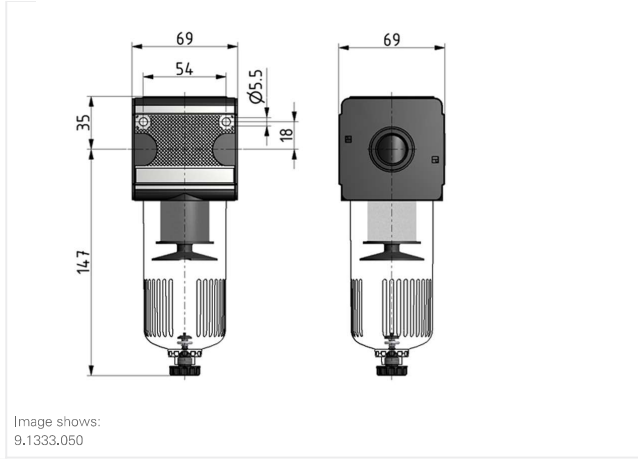
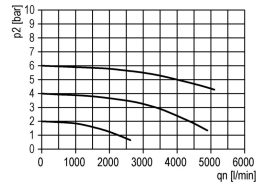


Image shows:  
9.1333.050

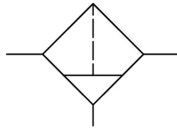
Filter regulator

**Filter**

### flow characteristic



### symbol



Pressure regulator

Lubricator

System extensions

Accessories

Special products

### technical data

- **description:** sinter filter centrifugal principle
- **medium:** compressed air, neutral gases
- **supply pressure P1 min.:** 1,5 bar
- **supply pressure P1 max.:** 16 bar
- **temperature range:** 0 - 60°C
- **bowl:** PC
- **drain:** HA
- **mounting:** vertical
- **filter element:** 5 µm

### accessories



- **mounting bracket:** [ZW.33-1](#)

type	part-number	description	price (pre-tax)
F.33 HA4	9.1333.050	Filter G1/2 5µm with PC bowl and semi automatic drain	50.39 €
F.33 H HA3	9.1333.053	Filter G1/2 5µm with metal bowl/visual display and semi automatic drain	74.58 €
F.33 HA4 B	9.1333.054	Filter G1/2 5µm with PC bowl, bowl guard and semi automatic drain	63.33 €
F.33 AM10	9.1333.100	Filter G1/2 5µm with PC bowl and automatic drain	91.08 €
F.33 H AM10	9.1333.103	Filter G1/2 5µm with metal bowl/visual display and automatic drain	115.27 €
F.33 AM10 B	9.1333.104	Filter G1/2 5µm with PC bowl, bowl guard and automatic drain	104.01 €
F.34 HA4	9.1334.050	Filter G3/4 5µm with PC bowl and semi automatic drain	50.39 €
F.34 H HA3	9.1334.053	Filter G3/4 5µm with metal bowl/visual display and semi automatic drain	74.58 €
F.34 HA4 B	9.1334.054	Filter G3/4 5µm with PC bowl, bowl guard and semi automatic drain	63.33 €
F.34 AM10	9.1334.100	Filter G3/4 5µm with PC bowl and automatic drain	91.08 €
F.34 H AM10	9.1334.103	Filter G3/4 5µm with metal bowl/visual display and automatic drain	115.27 €
F.34 AM10 B	9.1334.104	Filter G3/4 5µm with PC bowl, bowl guard and automatic drain	104.01 €

Service 3 unit

Service 2 unit

Filter regulator

**Filter**

Pressure regulator

Lubricator

System extensions

Accessories

Special products

## Filter | BG5

Service 3 unit

Service 2 unit



Image shows:  
9.1354.00.350

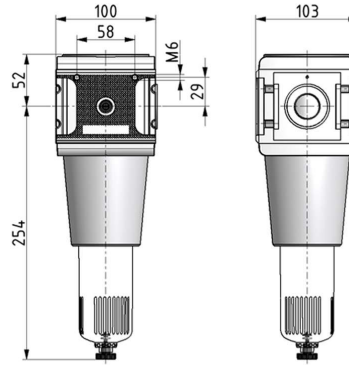
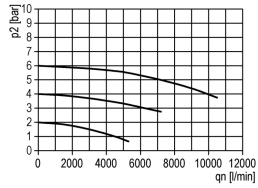


Image shows:  
9.1354.00.350

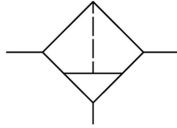
Filter regulator

**Filter**

### flow characteristic



### symbol



Pressure regulator

Lubricator

System extensions

Accessories

Special products

### technical data

- **description:** sinter filter centrifugal principle
- **medium:** compressed air, neutral gases
- **supply pressure P1 min.:** 1,5 bar
- **supply pressure P1 max.:** 16 bar
- **temperature range:** 0 - 60°C
- **owl:** PC
- **drain:** HA
- **mounting:** vertical
- **filter element:** 40 µm

### accessories



- **mounting bracket:** [ZW.55](#)



type	part-number	description	price (pre-tax)
F.54 HA4	9.1354.00.350	Filter G3/4 40µm with PC bowl and semi automatic drain	125.64 €
F.54 H HA3	9.1354.00.353	Filter G3/4 40µm with metal bowl/visual display and semi automatic drain	149.82 €
F.54 HA4 B	9.1354.00.354	Filter G3/4 40µm with PC bowl, bowl guard and semi automatic drain	138.57 €
F.54 AM10	9.1354.00.400	Filter G3/4 40µm with PC bowl and automatic drain	166.32 €
F.54 H AM10	9.1354.00.403	Filter G3/4 40µm with metal bowl/visual display and automatic drain	190.51 €
F.54 AM10 B	9.1354.00.404	Filter G3/4 40µm with PC bowl, bowl guard and automatic drain	179.26 €
F.55 HA4	9.1355.00.350	Filter G1 40µm with PC bowl and semi automatic drain	125.64 €
F.55 H HA3	9.1355.00.353	Filter G1 40µm with metal bowl/visual display and semi automatic drain	149.82 €
F.55 HA4 B	9.1355.00.354	Filter G1 40µm with PC bowl, bowl guard and semi automatic drain	138.57 €
F.55 AM10	9.1355.00.400	Filter G1 40µm with PC bowl and automatic drain	166.32 €
F.55 H AM10	9.1355.00.403	Filter G1 40µm with metal bowl/visual display and automatic drain	190.51 €
F.55 AM10 B	9.1355.00.404	Filter G1 40µm with PC bowl, bowl guard and automatic drain	179.26 €

Service 3 unit

Service 2 unit

Filter regulator

**Filter**

Pressure regulator

Lubricator

System extensions

Accessories

Special products

## Prefilter | BGO

Service 3 unit

Service 2 unit



Image shows:  
9.1300.00.060

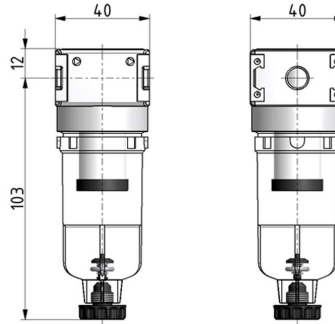
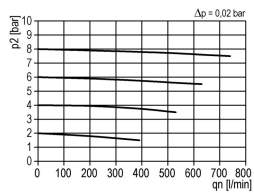


Image shows:  
9.1300.00.060

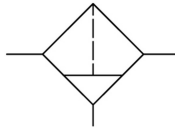
Filter regulator

Filter

### flow characteristic



### symbol



Pressure regulator

Lubricator

System extensions

Accessories

Special products

### technical data

- **description:** prefilter
- **medium:** compressed air, neutral gases
- **supply pressure P1 min.:** 1,5 bar
- **supply pressure P1 max.:** 16 bar
- **temperature range:** 0 - 60°C
- **bowl:** PC
- **drain:** HA
- **mounting:** vertical
- **filter element:** 0,3 μm
- **particle separation:** > 0,3 μm 99,999%

### accessories



- **coupling kit wall mounting:**  
[ZW.00-1](#)

type	part-number	description	price (pre-tax)
FV.00 HA4	9.1300.00.060	Prefilter G1/8 0,3µm with PC bowl and semi automatic drain	65.65 €
FV.00 HA4 B	9.1300.00.061	Prefilter G1/8 0,3µm with PC bowl, bowl guard and semi automatic drain	72.04 €
FV.00 AM10	9.1300.00.062	Prefilter G1/8 0,3µm with PC bowl and automatic drain	107.56 €
FV.00 M HA4	9.1300.00.065	Prefilter G1/8 0,3µm with metal bowl and semi automatic drain	75.41 €
FV.00 M AM10	9.1300.00.066	Prefilter G1/8 0,3µm with metal bowl and automatic drain	117.31 €
FV.01 HA4	9.1301.00.060	Prefilter G1/4 0,3µm with PC bowl and semi automatic drain	70.17 €
FV.01 HA4 B	9.1301.00.061	Prefilter G1/4 0,3µm with PC bowl, bowl guard and semi automatic drain	81.36 €
FV.01 AM10	9.1301.00.062	Prefilter G1/4 0,3µm with PC bowl and automatic drain	112.08 €
FV.01 M HA4	9.1301.00.065	Prefilter G1/4 0,3µm with metal bowl and semi automatic drain	79.93 €
FV.01 M AM10	9.1301.00.066	Prefilter G1/4 0,3µm with metal bowl and automatic drain	121.83 €

Service 3 unit

Service 2 unit

Filter regulator

**Filter**

Pressure regulator

Lubricator

System extensions

Accessories

Special products

## Prefilter | BG1

Service 3 unit

Service 2 unit



Image shows:  
9.1311.901

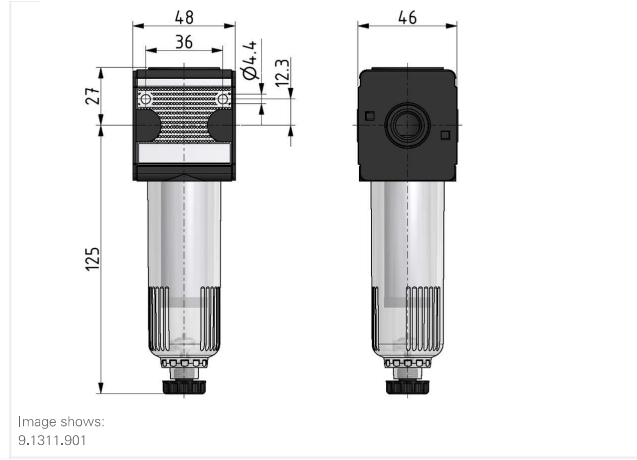
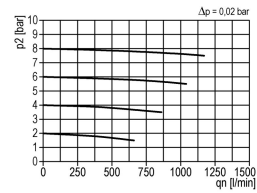


Image shows:  
9.1311.901

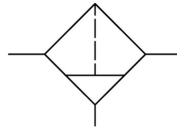
Filter regulator

Filter

### flow characteristic



### symbol



Pressure regulator

Lubricator

System extensions

### technical data

- **description:** prefilter
- **medium:** compressed air, neutral gases
- **supply pressure P1 min.:** 1,5 bar
- **supply pressure P1 max.:** 16 bar
- **temperature range:** 0 - 60°C
- **bowl:** PC
- **drain:** HA
- **mounting:** vertical
- **filter element:** 0,3 µm
- **particle separation:** > 0,3 µm 99,999%

### accessories



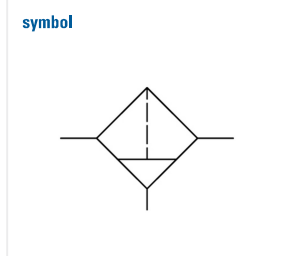
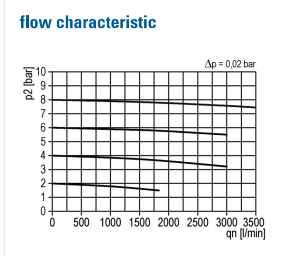
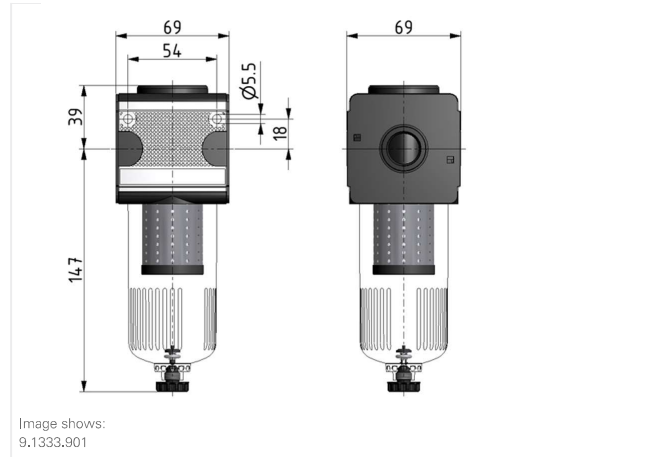
- **mounting bracket:** [ZW.11-1](#)

Accessories

Special products

type	part-number	description	price (pre-tax)
FV.11 HA4	9.1311.901	Prefilter G1/4 0,3µm with PC bowl and semi automatic drain	86.16 €
FV.11 AM10	9.1311.902	Prefilter G1/4 0,3µm with PC bowl and automatic drain	128.07 €
FV.11 HA4 B	9.1311.904	Prefilter G1/4 0,3µm with PC bowl, bowl guard and semi automatic drain	97.35 €
FV.11 AM10 B	9.1311.905	Prefilter G1/4 0,3µm with PC bowl, bowl guard and automatic drain	139.26 €
FV.11 H HA3	9.1311.916	Prefilter G1/4 0,3µm with metal bowl/visual display and semi automatic drain	107.99 €
FV.11 H AM10	9.1311.917	Prefilter G1/4 0,3µm with metal bowl/visual display and automatic drain	148.68 €

## Prefilter | BG3



**technical data**

- **description:** prefilter
- **medium:** compressed air, neutral gases
- **supply pressure P1 min.:** 1,5 bar
- **supply pressure P1 max.:** 16 bar
- **temperature range:** 0 - 60°C
- **bowl:** PC
- **drain:** HA
- **mounting:** vertical
- **filter element:** 0,3 μm
- **particle separation:** > 0,3 μm 99,999%

**accessories**

- mounting bracket: [ZW33-1](#)
- differential pressure display: [DM2](#)
- differential pressure gauge: [DM2](#)

type	part-number	description	price (pre-tax)
FV.33 HA4	9.1333.901	Prefilter G1/2 0,3μm with PC bowl and semi automatic drain	141.29 €
FV.33 AM10	9.1333.902	Prefilter G1/2 0,3μm with PC bowl and automatic drain	181.98 €
FV.33 HA4 B	9.1333.904	Prefilter G1/2 0,3μm with PC bowl, bowl guard and semi automatic drain	154.23 €
FV.33 AM10 B	9.1333.905	Prefilter G1/2 0,3μm with PC bowl, bowl guard and automatic drain	194.92 €
FV.33 H HA3	9.1333.916	Prefilter G1/2 0,3μm with metal bowl/visual display and semi automatic drain	165.48 €
FV.33 H AM10	9.1333.917	Prefilter G1/2 0,3μm with metal bowl/visual display and automatic drain	206.17 €

- Service 3 unit
- Service 2 unit
- Filter regulator
- Filter**
- Pressure regulator
- Lubricator
- System extensions
- Accessories
- Special products

## Prefilter | BG3

Service 3 unit

Service 2 unit



Image shows:  
9.1333.914

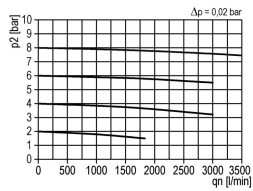


Image shows:  
9.1333.914

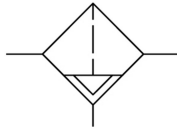
Filter regulator

Filter

### flow characteristic



### symbol



Pressure regulator

Lubricator

### technical data

- **description:** prefilter
- **medium:** compressed air, neutral gases
- **supply pressure P1 min.:** 1,5 bar
- **supply pressure P1 max.:** 16 bar
- **temperature range:** 0 - 60°C
- **bowl:** metal bowl
- **drain:** AM NO
- **mounting:** vertical
- **filter element:** 0,3 µm
- **particle separation:** > 0,3 µm 99,999%

### accessories



- mounting bracket: [ZW.33-1](#)



- differential pressure display
- differential pressure gauge: [DM.2](#)

System extensions

Accessories

Special products

### type

FV.33 M AM10

### part-number

9.1333.914

### description

Prefilter G1/2 0,3µm with metal bowl and automatic drain

### price (pre-tax)

259,94 €

## Prefilter | BG5



Image shows:  
9.1354.00.914

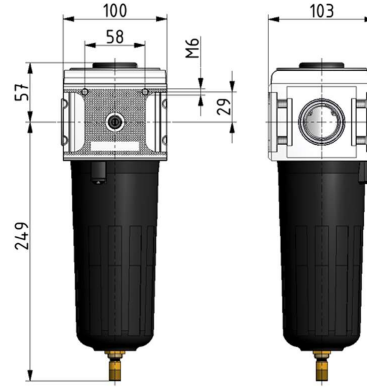
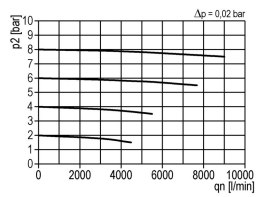
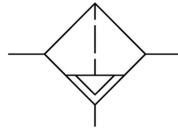


Image shows:  
9.1354.00.914

### flow characteristic



### symbol



### technical data

- **description:** prefilter
- **medium:** compressed air, neutral gases
- **supply pressure P1 min.:** 1,5 bar
- **supply pressure P1 max.:** 16 bar
- **temperature range:** 0 - 60°C
- **bowl:** metal bowl
- **drain:** AM NO
- **mounting:** vertical
- **filter element:** 0,3 µm
- **particle separation:** > 0,3 µm 99,999%

### accessories



- mounting bracket: [ZW.55](#)

- differential pressure display



- differential pressure gauge: [DM.2](#)

### type

FV.54 M AM10

### part-number

9.1354.00.914

### description

Prefilter G3/4 0,3µm with metal bowl and automatic drain

### price (pre-tax)

358.01 €

Service 3 unit

Service 2 unit

Filter regulator

**Filter**

Pressure regulator

Lubricator

System extensions

Accessories

Special products

## Prefilter | BG5

Service 3 unit

Service 2 unit



Image shows:  
9.1355.00.914

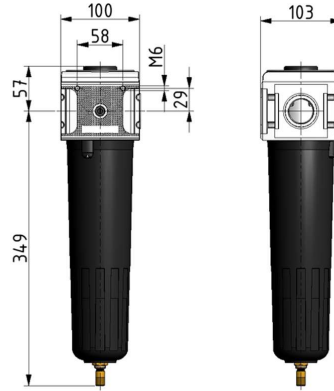
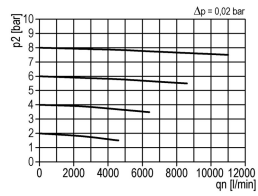


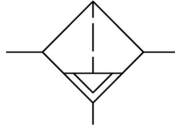
Image shows:  
9.1355.00.914

Filter regulator

### flow characteristic



### symbol



Filter

Pressure regulator

### technical data

- **description:** prefilter
- **medium:** compressed air, neutral gases
- **supply pressure P1 min.:** 1,5 bar
- **supply pressure P1 max.:** 16 bar
- **temperature range:** 0 - 60°C
- **bowl:** metal bowl
- **drain:** AM NO
- **mounting:** vertical
- **filter element:** 0,3 µm
- **particle separation:** > 0,3 µm 99,999%

Lubricator

System extensions

Accessories

### accessories



- mounting bracket: [ZW.55](#)

- differential pressure display



- differential pressure gauge: [DM.2](#)

### type

FV.55 M AM10

### part-number

9.1355.00.914

### description

Prefilter G1 0,3µm with metal bowl and automatic drain

### price (pre-tax)

450.29 €

Special products



## Finefilter | BGO



Image shows:  
9.1300.00.050

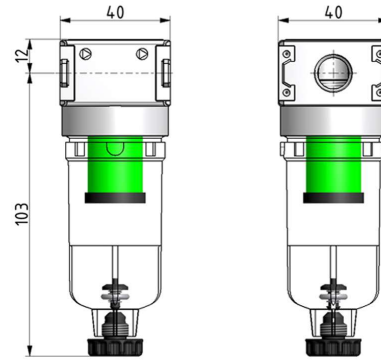
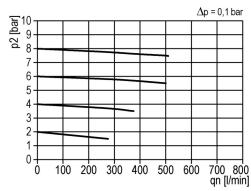
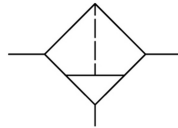


Image shows:  
9.1300.00.050

### flow characteristic



### symbol



### technical data

- **description:** finefilter
- **medium:** compressed air, neutral gases
- **supply pressure P1 min.:** 1,5 bar
- **supply pressure P1 max.:** 16 bar
- **temperature range:** 0 - 60°C
- **bowl:** PC
- **drain:** HA
- **mounting:** vertical
- **filter element:** 0,01 µm
- **particle separation:** > 0,01 µm 99,999%
- **residual oil concent:** 0,01 mg/m<sup>3</sup>

### accessories



- **coupling kit wall mounting:**  
[ZW.00-1](#)

Service 3 unit

Service 2 unit

Filter regulator

**Filter**

Pressure regulator

Lubricator

System extensions

Accessories

Special products

	type	part-number	description	price (pre-tax)
Service 3 unit	FX.00 HA4	9.1300.00.050	Finefilter G1/8 0,01µm (element X23/35) with PC bowl and semi automatic drain	65.65 €
	FX.00 HA4 B	9.1300.00.051	Finefilter G1/8 0,01µm (element X23/35) with PC bowl, bowl guard and semi automatic drain	72.04 €
	FX.00 AM10	9.1300.00.054	Finefilter G1/8 0,01µm (element X23/40) with PC bowl and automatic drain	107.56 €
Service 2 unit	FX.00 M HA4	9.1300.00.055	Finefilter G1/8 0,01µm (element X23/40) with metal bowl and semi automatic drain	75.41 €
	FX.00 M AM10	9.1300.00.056	Finefilter G1/8 0,01µm (element X23/35) with metal bowl and automatic drain	116.10 €
	FX.01 HA4	9.1301.00.050	Finefilter G1/4 0,01µm (element X23/35) with PC bowl and semi automatic drain	70.17 €
Filter regulator	FX.01 HA4 B	9.1301.00.051	Finefilter G1/4 0,01µm (element X23/40) with PC bowl, bowl guard and semi automatic drain	81.36 €
	FX.01 AM10	9.1301.00.054	Finefilter G1/4 0,01µm (element X23/40) with PC bowl and automatic drain	112.08 €
	FX.01 M HA4	9.1301.00.055	Finefilter G1/4 0,01µm (element X23/35) with metal bowl and semi automatic drain	79.93 €
<b>Filter</b>	FX.01 M AM10	9.1301.00.056	Finefilter G1/4 0,01µm (element X23/35) with metal bowl and automatic drain	120.62 €
Pressure regulator				
Lubricator				
System extensions				
Accessories				
Special products				

## Finefilter | BGO



Image shows:  
9.1301.00.058

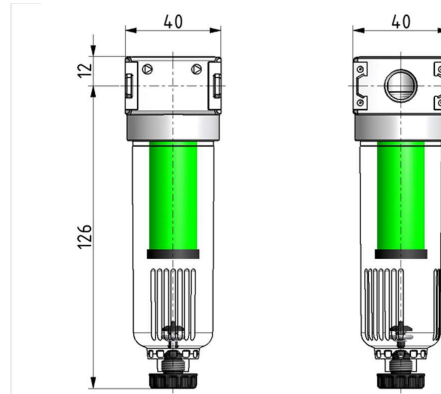


Image shows:  
9.1301.00.058

Service 3 unit

Service 2 unit

Filter regulator

**Filter**

Pressure regulator

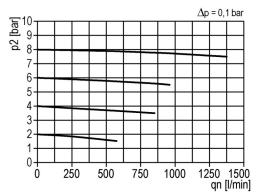
Lubricator

System extensions

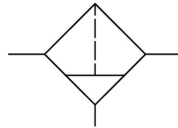
Accessories

Special products

### flow characteristic



### symbol



### technical data

- **description:** finefilter
- **medium:** compressed air, neutral gases
- **supply pressure P1 min.:** 1,5 bar
- **supply pressure P1 max.:** 16 bar
- **temperature range:** 0 - 60°C
- **bowl:** PC
- **drain:** HA
- **mounting:** vertical
- **filter element:** 0,01 µm
- **particle separation:** > 0,01 µm 99,999%
- **residual oil concent:** 0,01 mg/m<sup>3</sup>

### accessories



- coupling kit wall mounting:  
[ZW.00-1](#)

type	part-number	description	price (pre-tax)
FX.01 HA4	9.1301.00.058	Finefilter G1/4 0,01µm (element X23/60) with PC bowl and semi automatic drain	70.17 €

## Finefilter | BG1

Service 3 unit

Service 2 unit



Image shows:  
9.1311.931

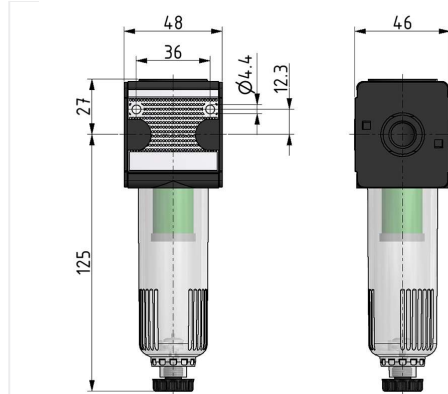
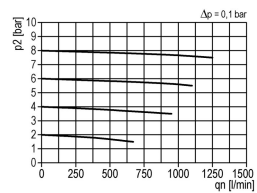


Image shows:  
9.1311.931

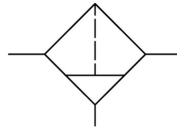
Filter regulator

Filter

### flow characteristic



### symbol



Pressure regulator

Lubricator

System extensions

### technical data

- **description:** finefilter
- **medium:** compressed air, neutral gases
- **supply pressure P1 min.:** 1,5 bar
- **supply pressure P1 max.:** 16 bar
- **temperature range:** 0 - 60°C
- **bowl:** PC
- **drain:** HA
- **mounting:** vertical
- **filter element:** 0,01 µm
- **particle separation:** > 0,01 µm 99,999%
- **residual oil concent:** 0,01 mg/m<sup>3</sup>

### accessories



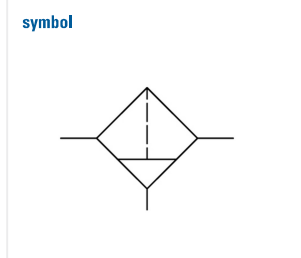
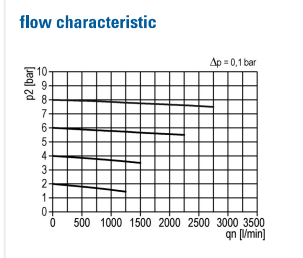
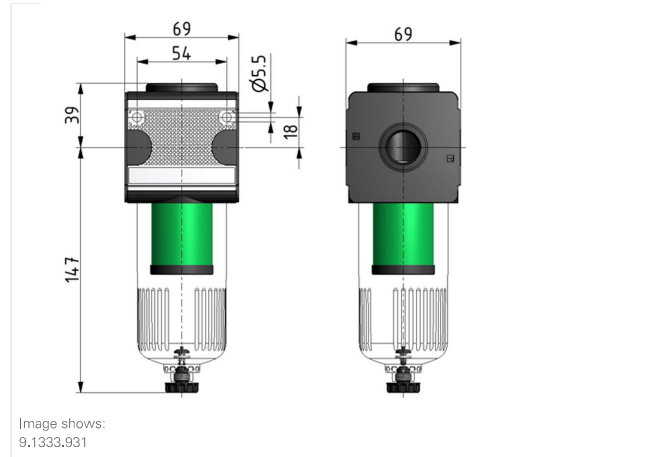
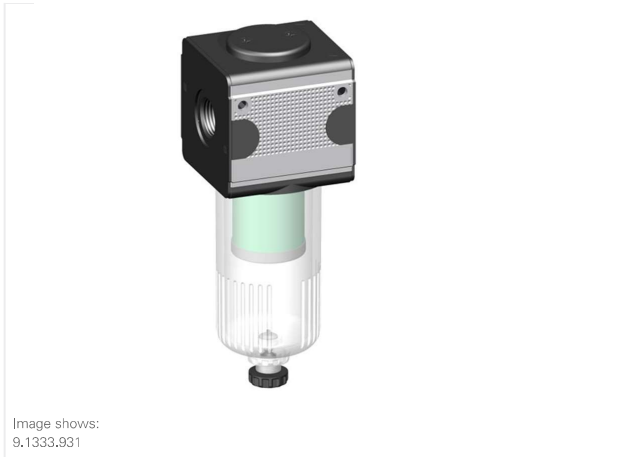
- **mounting bracket:** [ZW.11-1](#)

Accessories

Special products

type	part-number	description	price (pre-tax)
FX.11 HA4	9.1311.931	Finefilter G1/4 0,01µm with PC bowl and semi automatic drain	86.16 €
FX.11 AM10	9.1311.932	Finefilter G1/4 0,01µm with PC bowl and automatic drain	128.07 €
FX.11 HA4 B	9.1311.934	Finefilter G1/4 0,01µm with PC bowl, bowl guard and semi automatic drain	97.35 €
FX.11 AM10 B	9.1311.935	Finefilter G1/4 0,01µm with PC bowl, bowl guard and automatic drain	139.26 €
FX.11 H HA3	9.1311.961	Finefilter G1/4 0,01µm with metal bowl/visual display and semi automatic drain	107.99 €
FX.11 H AM10	9.1311.962	Finefilter G1/4 0,01µm (element X23/35) with metal bowl/visual display and automatic drain	148.68 €

## Finefilter | BG3



**technical data**

- **description:** finefilter
- **medium:** compressed air, neutral gases
- **supply pressure P1 min.:** 1,5 bar
- **supply pressure P1 max.:** 16 bar
- **temperature range:** 0 - 60°C
- **bowl:** PC
- **drain:** HA
- **mounting:** vertical
- **filter element:** 0,01 µm
- **particle separation:** > 0,01 µm 99,999%
- **residual oil concent:** 0,01 mg/m<sup>3</sup>

**accessories**

- mounting bracket: [ZW33-1](#)
- differential pressure display: [DM2](#)
- differential pressure gauge: [DM2](#)

type	part-number	description	price (pre-tax)
FX.33 HA4	9.1333.931	Finefilter G1/2 0,01µm with PC bowl and semi automatic drain	141.29 €
FX.33 AM10	9.1333.932	Finefilter G1/2 0,01µm with PC bowl and automatic drain	181.98 €
FX.33 HA4 B	9.1333.934	Finefilter G1/2 0,01µm with PC bowl, bowl guard and semi automatic drain	154.23 €
FX.33 AM10 B	9.1333.935	Finefilter G1/2 0,01µm with PC bowl, bowl guard and automatic drain	194.92 €
FX.33 H HA3	9.1333.961	Finefilter G1/2 0,01µm with metal bowl/visual display and semi automatic drain	165.48 €
FX.33 H AM10	9.1333.962	Finefilter G1/2 0,01µm with metal bowl/visual display and automatic drain	206.17 €

- Service 3 unit
- Service 2 unit
- Filter regulator
- Filter**
- Pressure regulator
- Lubricator
- System extensions
- Accessories
- Special products

## Finefilter | BG3

Service 3 unit

Service 2 unit



Image shows:  
9.1333.952

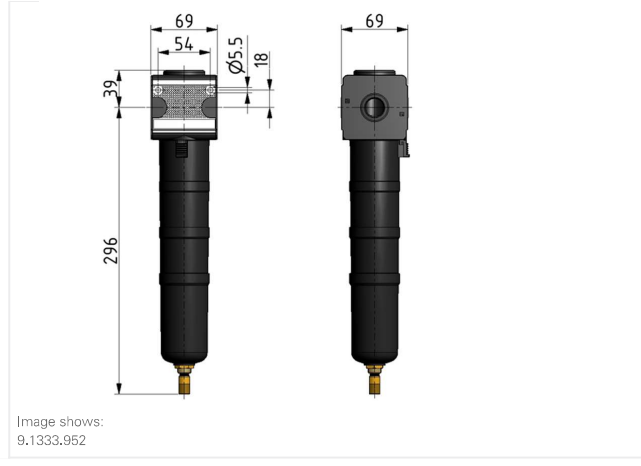
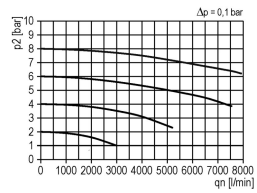


Image shows:  
9.1333.952

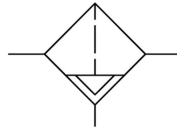
Filter regulator

Filter

### flow characteristic



### symbol



Pressure regulator

Lubricator

System extensions

### technical data

- **description:** finefilter
- **medium:** compressed air, neutral gases
- **supply pressure P1 min.:** 1,5 bar
- **supply pressure P1 max.:** 16 bar
- **temperature range:** 0 - 60°C
- **bowl:** metal bowl
- **drain:** AM NO
- **mounting:** vertical
- **filter element:** 0,01 µm
- **particle separation:** > 0,01 µm 99,999%
- **residual oil concent:** 0,01 mg/m<sup>3</sup>

### accessories



- mounting bracket: [ZW.33-1](#)



- differential pressure display
- differential pressure gauge: [DM.2](#)

Accessories

Special products

type	part-number	description	price (pre-tax)
FX.33 M AM10	9.1333.952	Finefilter G1/2 0,01µm with metal bowl and automatic drain	259,94 €

## Finefilter | BG5



Image shows:  
9.1354.00.952

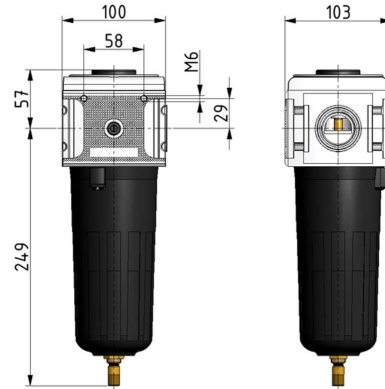


Image shows:  
9.1354.00.952

Service 3 unit

Service 2 unit

Filter regulator

**Filter**

Pressure regulator

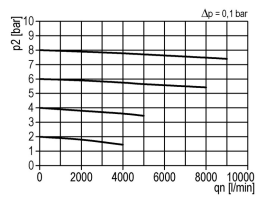
Lubricator

System extensions

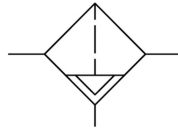
Accessories

Special products

### flow characteristic



### symbol



### technical data

- **description:** finefilter
- **medium:** compressed air, neutral gases
- **supply pressure P1 min.:** 1,5 bar
- **supply pressure P1 max.:** 16 bar
- **temperature range:** 0 - 60°C
- **bowl:** metal bowl
- **drain:** AM NO
- **mounting:** vertical
- **filter element:** 0,01 µm
- **particle separation:** > 0,01 µm 99,999%
- **residual oil concent:** 0,01 mg/m<sup>3</sup>

### accessories



- mounting bracket: [ZW.55](#)

- differential pressure display



- differential pressure gauge: [DM.2](#)

### type

FX.54 M AM10

### part-number

9.1354.00.952

### description

Finefilter G3/4 0,01µm with metal bowl and automatic drain

### price (pre-tax)

358.01 €

## Finefilter | BG5

Service 3 unit

Service 2 unit



Image shows:  
9.1355.00.952

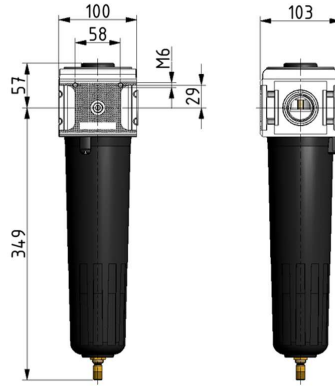
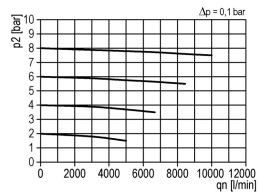


Image shows:  
9.1355.00.952

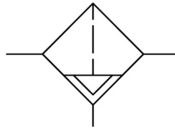
Filter regulator

Filter

### flow characteristic



### symbol



Pressure regulator

Lubricator

System extensions

Accessories

Special products

### technical data

- **description:** finefilter
- **medium:** compressed air, neutral gases
- **supply pressure P1 min.:** 1,5 bar
- **supply pressure P1 max.:** 16 bar
- **temperature range:** 0 - 60°C
- **bowl:** metal bowl
- **drain:** AM NO
- **mounting:** vertical
- **filter element:** 0,01 µm
- **particle separation:** > 0,01 µm 99,999%
- **residual oil concent:** 0,01 mg/m<sup>3</sup>

### accessories



- mounting bracket: [ZW.55](#)



- differential pressure display
- differential pressure gauge: [DM.2](#)

### type

FX.55 M AM10

### part-number

9.1355.00.952

### description

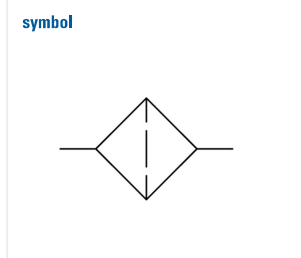
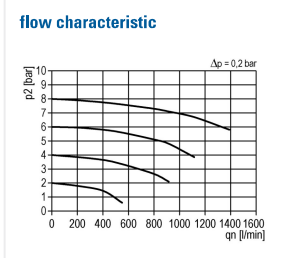
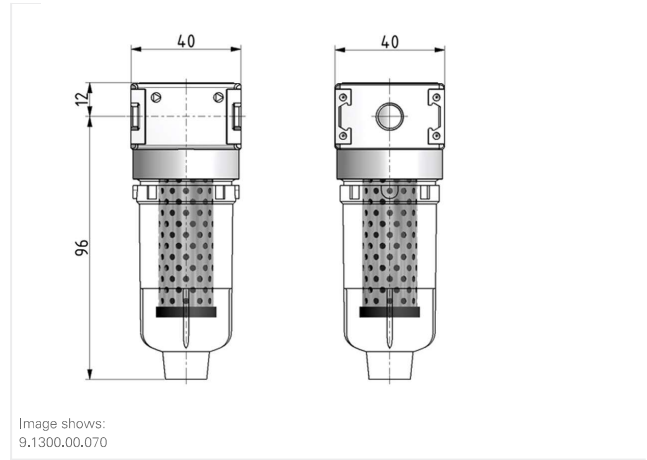
Finefilter G1 0,01µm with metal bowl and automatic drain

### price (pre-tax)

450.29 €



## Active carbon filter | BGO



**technical data**

- **description:** active carbon filter
- **medium:** compressed air, neutral gases
- **supply pressure P1 min.:** 0 bar
- **supply pressure P1 max.:** 16 bar
- **temperature range:** 0 - 60°C
- **bowl:** PC
- **mounting:** vertical
- **residual oil concent:** 0,005 mg/m<sup>3</sup>

**accessories**

- **coupling kit wall mounting:**  
[ZW.00-1](#)

type	part-number	description	price (pre-tax)
FA.00	9.1300.00.070	Activated carbon filter G1/8 (element A 23/60) with PC bowl	64.28 €
FA.00 M	9.1300.00.071	Activated carbon filter G1/8 (element A 23/60) with metal bowl	68.97 €
FA.00 B	9.1300.00.072	Activated carbon filter G1/8 (element A 23/60) with PC bowl and bowl guard	70.67 €
FA.01 M	9.1301.00.071	Activated carbon filter G1/4 (element A 23/60) with metal bowl	76.84 €
FA.01 B	9.1301.00.072	Activated carbon filter G1/4 (element A 23/60) with PC bowl and bowl guard	78.28 €

- Service 3 unit
- Service 2 unit
- Filter regulator
- Filter**
- Pressure regulator
- Lubricator
- System extensions
- Accessories
- Special products

## Active carbon filter | BGO

Service 3 unit

Service 2 unit



Image shows:  
9.1301.00.070

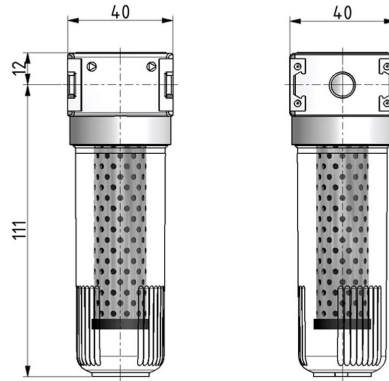
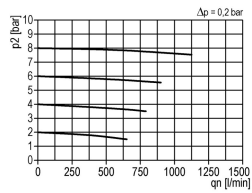


Image shows:  
9.1301.00.070

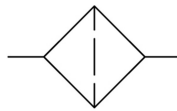
Filter regulator

Filter

### flow characteristic



### symbol



Pressure regulator

Lubricator

System extensions

Accessories

Special products

### technical data

- **description:** active carbon filter
- **medium:** compressed air, neutral gases
- **supply pressure P1 min.:** 0 bar
- **supply pressure P1 max.:** 16 bar
- **temperature range:** 0 - 60°C
- **bowl:** PC
- **mounting:** vertical
- **residual oil concent:** 0,005 mg/m<sup>3</sup>

### accessories



- **coupling kit wall mounting:**  
[ZW.00-1](#)

type	part-number	description	price (pre-tax)
FA.01	9.1301.00.070	Activated carbon filter G1/4 (element A 23/80) with PC bowl	67.09 €

## Active carbon filter | BG1



Image shows:  
9.1311.970

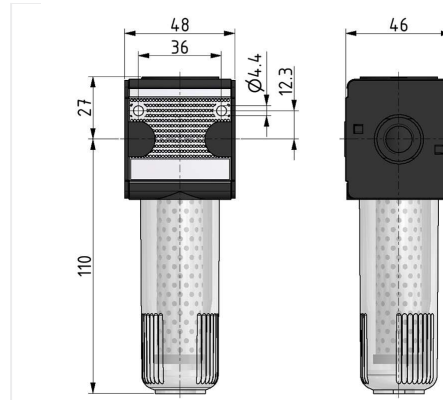
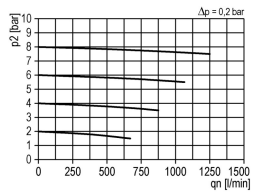


Image shows:  
9.1311.970

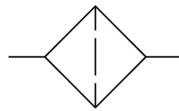
Service 3 unit

Service 2 unit

### flow characteristic



### symbol



Filter regulator

**Filter**

### technical data

- **description:** active carbon filter
- **medium:** compressed air, neutral gases
- **supply pressure P1 min.:** 0 bar
- **supply pressure P1 max.:** 16 bar
- **temperature range:** 0 - 60°C
- **bowl:** PC
- **mounting:** vertical
- **residual oil concent:** 0,005 mg/m<sup>3</sup>

### accessories



- **mounting bracket:** [ZW.11-1](#)

Pressure regulator

Lubricator

System extensions

type	part-number	description	price (pre-tax)
FA.11	9.1311.970	Activated carbon filter G1/4 with PC bowl	83.46 €
FA.11 B	9.1311.971	Activated carbon filter G1/4 with PC bowl and bowl guard	94.65 €
FA.11 M	9.1311.975	Activated carbon filter G1/4 with metal bowl	93.22 €

Accessories

Special products

## Active carbon filter | BG3

Service 3 unit

Service 2 unit



Image shows:  
9.1333.970

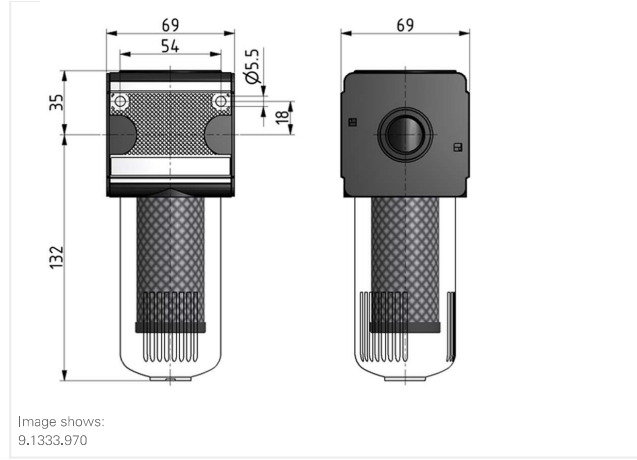
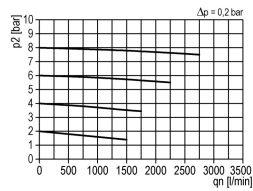


Image shows:  
9.1333.970

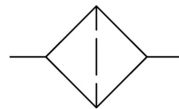
Filter regulator

Filter

### flow characteristic



### symbol



Pressure regulator

Lubricator

System extensions

### technical data

- **description:** active carbon filter
- **medium:** compressed air, neutral gases
- **supply pressure P1 min.:** 0 bar
- **supply pressure P1 max.:** 16 bar
- **temperature range:** 0 - 60°C
- **bowl:** PC
- **mounting:** vertical
- **residual oil concent:** 0,005 mg/m<sup>3</sup>

### accessories



- **mounting bracket:** [ZW.33-1](#)

Accessories

Special products

type	part-number	description	price (pre-tax)
FA.33	9.1333.970	Activated carbon filter G1/2 with PC bowl	136.11 €
FA.33 B	9.1333.971	Activated carbon filter G1/2 with PC bowl and bowl guard	149.04 €

## Active carbon filter | BG3



Image shows:  
9.1333.974

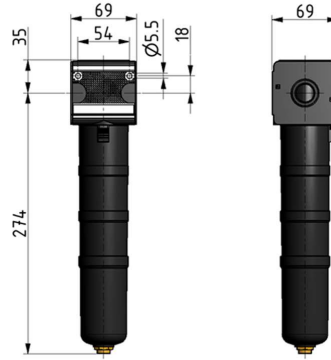
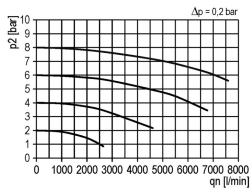
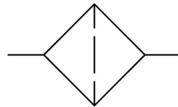


Image shows:  
9.1333.974

### flow characteristic



### symbol



### technical data

- **description:** active carbon filter
- **medium:** compressed air, neutral gases
- **supply pressure P1 min.:** 0 bar
- **supply pressure P1 max.:** 20 bar
- **temperature range:** 0 - 60°C
- **bowl:** metal bowl
- **mounting:** vertical
- **residual oil concent:** 0,005 mg/m<sup>3</sup>

### accessories



- **mounting bracket:** [ZW33-1](#)

Service 3 unit

Service 2 unit

Filter regulator

**Filter**

Pressure regulator

Lubricator

System extensions

Accessories

Special products

type	part-number	description	price (pre-tax)
FA.33 M	9.1333.974	Activated carbon filter G1/2 with metal bowl	229.50 €

## Active carbon filter | BG5

Service 3 unit

Service 2 unit



Image shows:  
9.1354.00.974

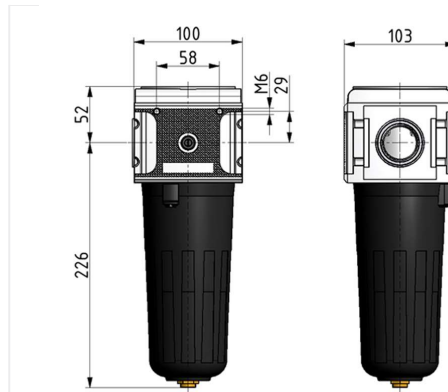
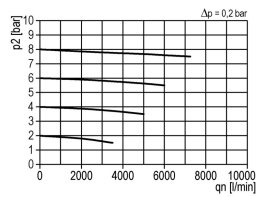


Image shows:  
9.1354.00.974

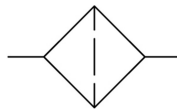
Filter regulator

Filter

### flow characteristic



### symbol



Pressure regulator

Lubricator

System extensions

### technical data

- **description:** active carbon filter
- **medium:** compressed air, neutral gases
- **supply pressure P1 min.:** 0 bar
- **supply pressure P1 max.:** 20 bar
- **temperature range:** 0 - 60°C
- **bowl:** metal bowl
- **mounting:** vertical
- **residual oil concent:** 0,005 mg/m<sup>3</sup>

### accessories



- **mounting bracket:** [ZW.55](#)

Accessories

Special products

### type

FA.54 M

### part-number

9.1354.00.974

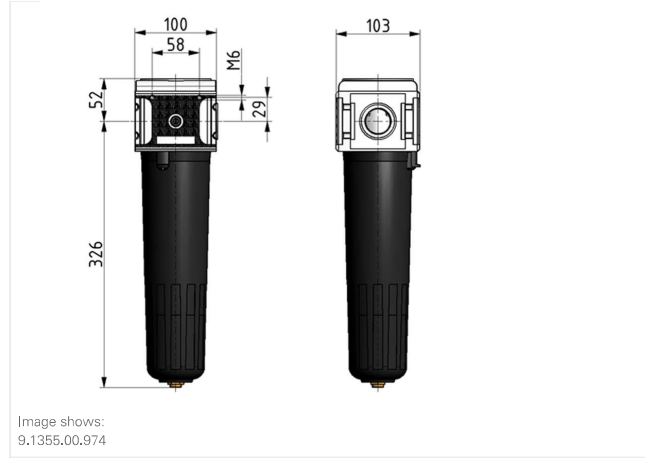
### description

Activated carbon filter G3/4 with metal bowl

### price (pre-tax)

320.69 €

## Active carbon filter | BG5



Service 3 unit

Service 2 unit

Filter regulator

**Filter**

Pressure regulator

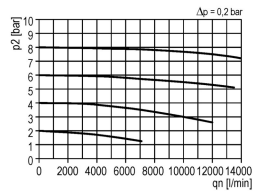
Lubricator

System extensions

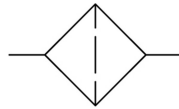
Accessories

Special products

### flow characteristic



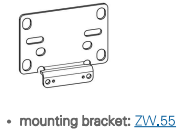
### symbol



### technical data

- **description:** active carbon filter
- **medium:** compressed air, neutral gases
- **supply pressure P1 min.:** 0 bar
- **supply pressure P1 max.:** 20 bar
- **temperature range:** 0 - 60°C
- **bowl:** metal bowl
- **mounting:** vertical
- **residual oil concent:** 0,005 mg/m<sup>3</sup>

### accessories



type	part-number	description	price (pre-tax)
FA.55 M	9.1355.00.974	Activated carbon filter G1 with metal bowl	412.97 €