

## Filter | BGO



Image shows:  
9.1100.00.050.0V

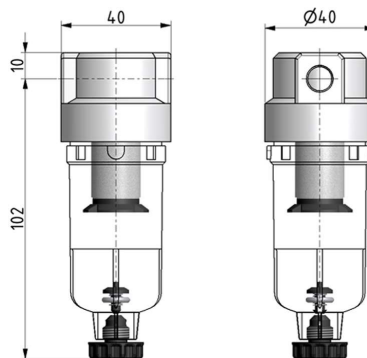


Image shows:  
9.1100.00.050.0V

Service 3 unit

Service 2 unit

Filter regulator

**Filter**

Pressure regulator

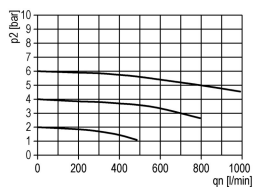
Lubricator

System extensions

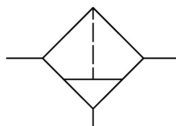
Accessories

Special products

### flow characteristic



### symbol



### technical data

- **description:** sinter filter centrifugal principle
- **medium:** compressed air, neutral gases
- **supply pressure P1 min.:** 1,5 bar
- **supply pressure P1 max.:** 16 bar
- **temperature range:** 0 - 60°C
- **bowl:** PC
- **drain:** HA
- **mounting:** vertical
- **filter element:** 5 µm

### accessories

type	part-number	description	price (pre-tax)
DF.00 HA4	9.1100.00.050.0V	Filter G1/8 5µm with PC bowl and semi automatic drain	30.48 €
DF.00 M HA4	9.1100.00.052.0V	Filter G1/8 5µm with metal bowl and semi automatic drain	40.24 €
DF.01 HA4	9.1101.00.050.0V	Filter G1/4 5µm with PC bowl and semi automatic drain	30.48 €
DF.01 M HA4	9.1101.00.052.0V	Filter G1/4 5µm with metal bowl and semi automatic drain	40.24 €

# Filter | BG1

Service 3 unit

Service 2 unit



Image shows:  
9.1111.00.050.0V

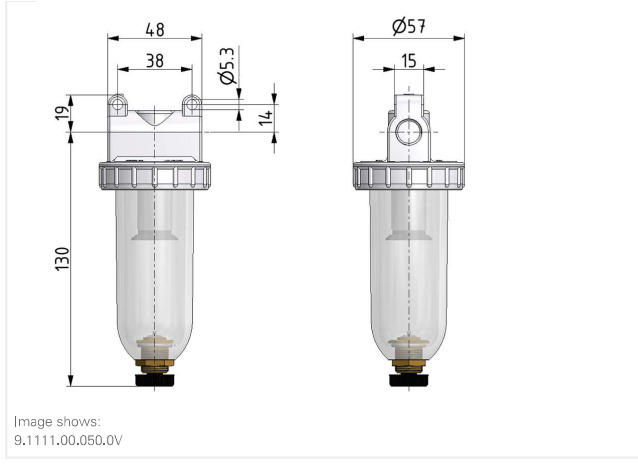
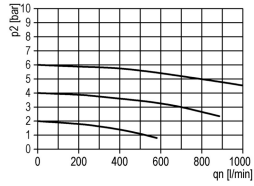


Image shows:  
9.1111.00.050.0V

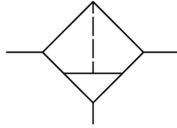
Filter regulator

**Filter**

### flow characteristic



### symbol



Pressure regulator

Lubricator

System extensions

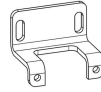
Accessories

Special products

### technical data

- **description:** sinter filter centrifugal principle
- **medium:** compressed air, neutral gases
- **supply pressure P1 min.:** 1,5 bar
- **supply pressure P1 max.:** 16 bar
- **temperature range:** 0 - 60°C
- **body:** PC
- **drain:** HA3
- **mounting:** vertical
- **filter element:** 5 µm

### accessories



- **mounting bracket:** [ZW.10](#)

type	part-number	description	price (pre-tax)
DF.11 HA3	9.1111.00.050.0V	Filter G1/4 5µm with PC bowl and semi automatic drain	32.14 €
DF.11 M HA3	9.1111.00.052.0V	Filter G1/4 5µm with metal bowl and semi automatic drain	36.27 €
DF.11 HA3 B	9.1111.00.053.0V	Filter G1/4 5µm with PC bowl, bowl guard and semi automatic drain	44.54 €
DF.11 AM10	9.1111.00.100.0V	Filter G1/4 5µm with PC bowl and automatic drain	72.82 €
DF.11 M AM10	9.1111.00.102.0V	Filter G1/4 5µm with metal bowl and automatic drain	76.96 €
DF.11 AM10 B	9.1111.00.103.0V	Filter G1/4 5µm with PC bowl, bowl guard and automatic drain	85.23 €
DF.12 HA3	9.1112.00.050.0V	Filter G3/8 5µm with PC bowl and semi automatic drain	32.14 €
DF.12 M HA3	9.1112.00.052.0V	Filter G3/8 5µm with metal bowl and semi automatic drain	36.27 €
DF.12 HA3 B	9.1112.00.053.0V	Filter G3/8 5µm with PC bowl, bowl guard and semi automatic drain	44.54 €
DF.12 AM10	9.1112.00.100.0V	Filter G3/8 5µm with PC bowl and automatic drain	72.82 €
DF.12 M AM10	9.1112.00.102.0V	Filter G3/8 5µm with metal bowl and automatic drain	76.96 €
DF.12 AM10 B	9.1112.00.103.0V	Filter G3/8 5µm with PC bowl, bowl guard and automatic drain	85.23 €

Service 3 unit

Service 2 unit

Filter regulator

**Filter**

Pressure regulator

Lubricator

System extensions

Accessories

Special products

## Filter | BG2

Service 3 unit

Service 2 unit



Image shows:  
9.1122.00.350.0V

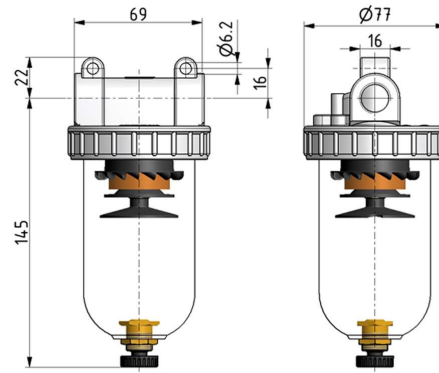
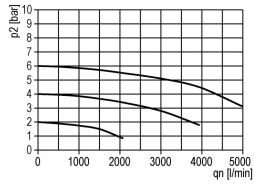


Image shows:  
9.1122.00.350.0V

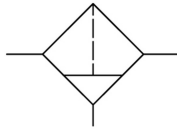
Filter regulator

Filter

### flow characteristic



### symbol



Pressure regulator

Lubricator

System extensions

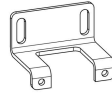
Accessories

Special products

### technical data

- **description:** sinter filter centrifugal principle
- **medium:** compressed air, neutral gases
- **supply pressure P1 min.:** 1,5 bar
- **supply pressure P1 max.:** 16 bar
- **temperature range:** 0 - 60°C
- **bowl:** PC
- **drain:** HA3
- **mounting:** vertical
- **filter element:** 40 µm

### accessories



- **mounting bracket:** [ZW.30](#)

type	part-number	description	price (pre-tax)
DF.22 HA3	9.1122.00.350.0V	Filter G3/8 40µm with PC bowl and semi automatic drain	50.39 €
DF.22 M HA3	9.1122.00.352.0V	Filter G3/8 40µm with metal bowl and semi automatic drain	55.41 €
DF.22 HA3 B	9.1122.00.353.0V	Filter G3/8 40µm with PC bowl, bowl guard and semi automatic drain	66.77 €
DF.22 AM10	9.1122.00.400.0V	Filter G3/8 40µm with PC bowl and automatic drain	91.08 €
DF.22 M AM10	9.1122.00.402.0V	Filter G3/8 40µm with metal bowl and automatic drain	96.10 €
DF.22 AM10 B	9.1122.00.403.0V	Filter G3/8 40µm with PC bowl, bowl guard and automatic drain	107.45 €
DF.23 HA3	9.1123.00.350.0V	Filter G1/2 40µm with PC bowl and semi automatic drain	54.30 €
DF.23 M HA3	9.1123.00.352.0V	Filter G1/2 40µm with metal bowl and semi automatic drain	59.32 €
DF.23 HA3 B	9.1123.00.353.0V	Filter G1/2 40µm with PC bowl, bowl guard and semi automatic drain	70.67 €
DF.23 AM10	9.1123.00.400.0V	Filter G1/2 40µm with PC bowl and automatic drain	94.99 €
DF.23 M AM10	9.1123.00.402.0V	Filter G1/2 40µm with metal bowl and automatic drain	100.00 €
DF.23 AM10 B	9.1123.00.403.0V	Filter G1/2 40µm with PC bowl, bowl guard and automatic drain	111.36 €

Service 3 unit

Service 2 unit

Filter regulator

**Filter**

Pressure regulator

Lubricator

System extensions

Accessories

Special products

# Filter | BG3

Service 3 unit

Service 2 unit



Image shows:  
9.1133.00.050.0V

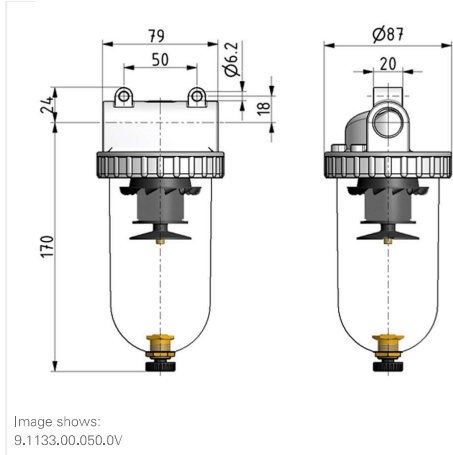
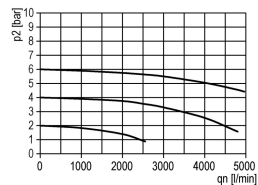


Image shows:  
9.1133.00.050.0V

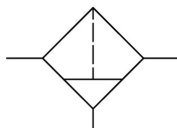
Filter regulator

**Filter**

**flow characteristic**



**symbol**



Pressure regulator

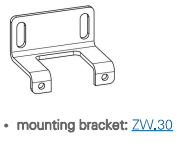
Lubricator

System extensions

**technical data**

- **description:** sinter filter centrifugal principle
- **medium:** compressed air, neutral gases
- **supply pressure P1 min.:** 1,5 bar
- **supply pressure P1 max.:** 16 bar
- **temperature range:** 0 - 60°C
- **bowl:** PC
- **drain:** HA3
- **mounting:** vertical
- **filter element:** 5 µm

**accessories**



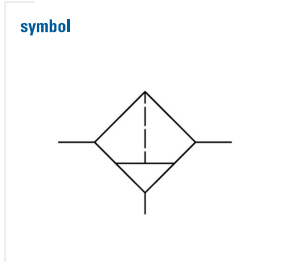
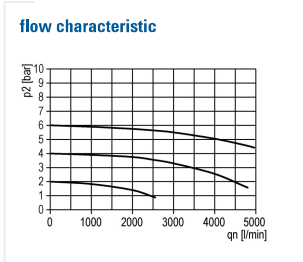
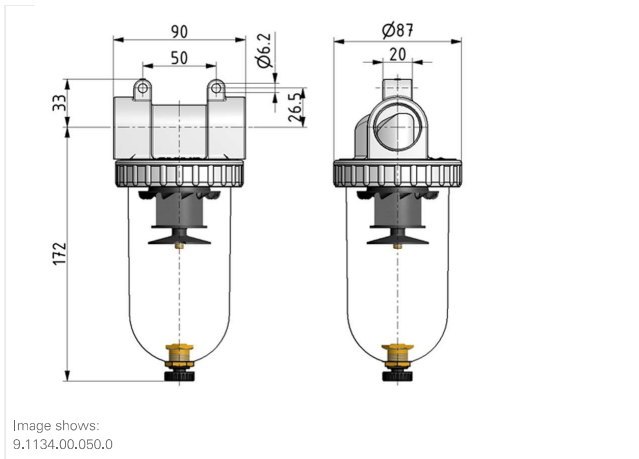
- **mounting bracket:** [ZW.30](#)

Accessories

Special products

type	part-number	description	price (pre-tax)
DF.33 HA3	9.1133.00.050.0V	Filter G1/2 5µm with PC bowl and semi automatic drain	57.39 €
DF.33 M HA3	9.1133.00.052.0V	Filter G1/2 5µm with metal bowl and semi automatic drain	63.08 €
DF.33 HA3 B	9.1133.00.053.0V	Filter G1/2 5µm with PC bowl, bowl guard and semi automatic drain	76.14 €
DF.33 AM10	9.1133.00.100.0V	Filter G1/2 5µm with PC bowl and automatic drain	98.08 €
DF.33 M AM10	9.1133.00.102.0V	Filter G1/2 5µm with metal bowl and automatic drain	103.76 €
DF.33 AM10 B	9.1133.00.103.0V	Filter G1/2 5µm with PC bowl, bowl guard and automatic drain	116.83 €

## Filter | BG3



**technical data**

- **description:** sinter filter centrifugal principle
- **medium:** compressed air, neutral gases
- **supply pressure P1 min.:** 1,5 bar
- **supply pressure P1 max.:** 16 bar
- **temperature range:** 0 - 60°C
- **bowl:** PC
- **drain:** HA3
- **mounting:** vertical
- **filter element:** 5  $\mu$ m

**accessories**

- **mounting bracket:** [ZW.30](#)

Service 3 unit

Service 2 unit

Filter regulator

**Filter**

Pressure regulator

Lubricator

System extensions

Accessories

Special products

	type	part-number	description	price (pre-tax)
Service 3 unit	DF.34 HA3	9.1134.00.050.0	Filter G3/4 5µm with PC bowl and semi automatic drain	106.35 €
	DF.34 M HA3	9.1134.00.052.0	Filter G3/4 5µm with metal bowl and semi automatic drain	112.04 €
	DF.34 HA3 B	9.1134.00.053.0	Filter G3/4 5µm with PC bowl, bowl guard and semi automatic drain	125.10 €
	DF.34 AM10	9.1134.00.100.0	Filter G3/4 5µm with PC bowl and automatic drain	147.04 €
	DF.34 M AM10	9.1134.00.102.0V	Filter G3/4 5µm with metal bowl and automatic drain	152.72 €
Service 2 unit	DF.34 AM10 B	9.1134.00.103.0	Filter G3/4 5µm with PC bowl, bowl guard and automatic drain	165.78 €
	DF.35 HA3	9.1135.00.050.0V	Filter G1 5µm with PC bowl and semi automatic drain	86.17 €
	DF.35 M HA3	9.1135.00.052.0	Filter G1 5µm with metal bowl and semi automatic drain	91.85 €
	DF.35 HA3 B	9.1135.00.053.0	Filter G1 5µm with PC bowl, bowl guard and semi automatic drain	104.91 €
	DF.35 AM10	9.1135.00.100.0V	Filter G1 5µm with PC bowl and automatic drain	126.85 €
Filter regulator	DF.35 M AM10	9.1135.00.102.0	Filter G1 5µm with metal bowl and automatic drain	132.53 €
	DF.35 AM10 B	9.1135.00.103.0	Filter G1 5µm with PC bowl, bowl guard and automatic drain	145.60 €
<b>Filter</b>				
Pressure regulator				
Lubricator				
System extensions				
Accessories				
Special products				



## Filter | BG5



Image shows:  
9.1154.00.350.0V

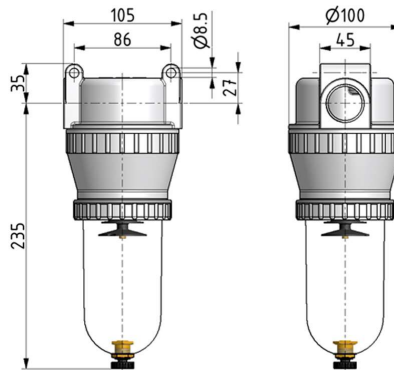
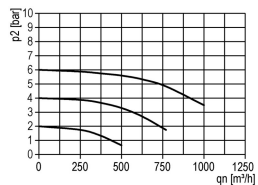
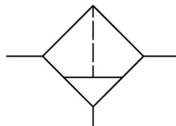


Image shows:  
9.1154.00.350.0V

### flow characteristic



### symbol



### technical data

- **description:** sinter filter centrifugal principle
- **medium:** compressed air, neutral gases
- **supply pressure P1 min.:** 1,5 bar
- **supply pressure P1 max.:** 16 bar
- **temperature range:** 0 - 60°C
- **bowl:** PC
- **drain:** HA3
- **mounting:** vertical
- **filter element:** 40 µm

### accessories

Service 3 unit

Service 2 unit

Filter regulator

**Filter**

Pressure regulator

Lubricator

System extensions

Accessories

Special products

	<b>type</b>	<b>part-number</b>	<b>description</b>	<b>price (pre-tax)</b>
Service 3 unit	DF.54 HA3	9.1154.00.350.0V	Filter G3/4 40µm with PC bowl and semi automatic drain	163.03 €
	DF.54 M HA3	9.1154.00.352.0V	Filter G3/4 40µm with metal bowl and semi automatic drain	168.71 €
	DF.54 HA3 B	9.1154.00.353.0V	Filter G3/4 40µm with PC bowl, bowl guard and semi automatic drain	181.77 €
	DF.54 AM10	9.1154.00.400.0V	Filter G3/4 40µm with PC bowl and automatic drain	203.72 €
Service 2 unit	DF.54 M AM10	9.1154.00.402.0	Filter G3/4 40µm with metal bowl and automatic drain	209.40 €
	DF.54 AM10 B	9.1154.00.403.0V	Filter G3/4 40µm with PC bowl, bowl guard and automatic drain	222.46 €
	DF.55 HA3	9.1155.00.350.0V	Filter G1 40µm with PC bowl and semi automatic drain	142.84 €
	DF.55 M HA3	9.1155.00.352.0V	Filter G1 40µm with metal bowl and semi automatic drain	148.53 €
Filter regulator	DF.55 HA3 B	9.1155.00.353.0V	Filter G1 40µm with PC bowl, bowl guard and semi automatic drain	161.59 €
	DF.55 AM10	9.1155.00.400.0V	Filter G1 40µm with PC bowl and automatic drain	183.53 €
	DF.55 M AM10	9.1155.00.402.0	Filter G1 40µm with metal bowl and automatic drain	189.21 €
	DF.55 AM10 B	9.1155.00.403.0V	Filter G1 40µm with PC bowl, bowl guard and automatic drain	202.27 €
<b>Filter</b>				
Pressure regulator				
Lubricator				
System extensions				
Accessories				
Special products				

## Filter | BG5



Image shows:  
9.1156.00.350.0

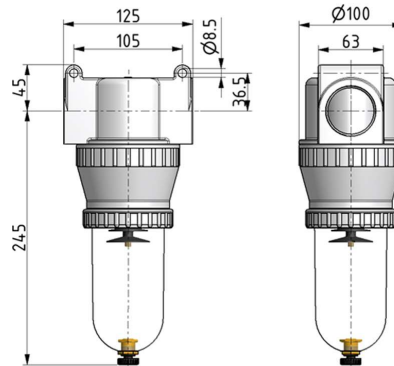


Image shows:  
9.1156.00.350.0

Service 3 unit

Service 2 unit

Filter regulator

**Filter**

Pressure regulator

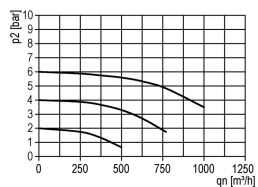
Lubricator

System extensions

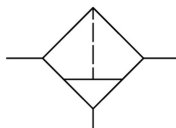
Accessories

Special products

### flow characteristic



### symbol



### technical data

- **description:** sinter filter centrifugal principle
- **medium:** compressed air, neutral gases
- **supply pressure P1 min.:** 1,5 bar
- **supply pressure P1 max.:** 16 bar
- **temperature range:** 0 - 60°C
- **bowl:** PC
- **drain:** HA3
- **mounting:** vertical
- **filter element:** 40 µm

### accessories

	type	part-number	description	price (pre-tax)
Service 3 unit	DF.56 HA3	9.1156.00.350.0	Filter G1 1/4 40µm with PC bowl and semi automatic drain	208.30 €
	DF.56 M HA3	9.1156.00.352.0	Filter G1 1/4 40µm with metal bowl and semi automatic drain	213.98 €
	DF.56 HA3 B	9.1156.00.353.0	Filter G1 1/4 40µm with PC bowl, bowl guard and semi automatic drain	227.04 €
	DF.56 AM10	9.1156.00.400.0	Filter G1 1/4 40µm with PC bowl and automatic drain	248.99 €
Service 2 unit	DF.56 M AM10	9.1156.00.402.0	Filter G1 1/4 40µm with metal bowl and automatic drain	254.67 €
	DF.56 AM10 B	9.1156.00.403.0	Filter G1 1/4 40µm with PC bowl, bowl guard and automatic drain	267.73 €
	DF.57 HA3	9.1157.00.350.0V	Filter G1 1/2 40µm with PC bowl and semi automatic drain	178.61 €
	DF.57 M HA3	9.1157.00.352.0	Filter G1 1/2 40µm with metal bowl and semi automatic drain	184.30 €
Filter regulator	DF.57 HA3 B	9.1157.00.353.0	Filter G1 1/2 40µm with PC bowl, bowl guard and semi automatic drain	197.36 €
	DF.57 AM10	9.1157.00.400.0	Filter G1 1/2 40µm with PC bowl and automatic drain	219.30 €
	DF.57 M AM10	9.1157.00.402.0	Filter G1 1/2 40µm with metal bowl and automatic drain	224.99 €
	DF.57 AM10 B	9.1157.00.403.0	Filter G1 1/2 40µm with PC bowl, bowl guard and automatic drain	238.05 €
<b>Filter</b>				
Pressure regulator				
Lubricator				
System extensions				
Accessories				
Special products				

## Filter | BG8



Image shows:  
9.1186.00.350.0V

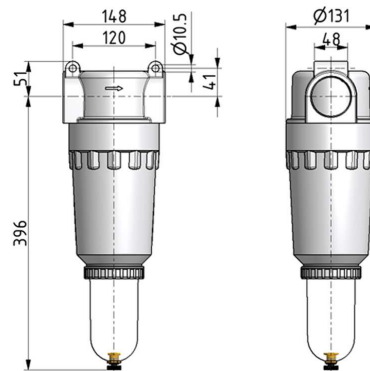
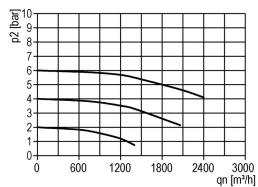
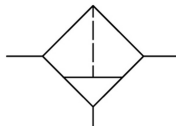


Image shows:  
9.1186.00.350.0V

### flow characteristic



### symbol



### technical data

- **description:** sinter filter centrifugal principle
- **medium:** compressed air, neutral gases
- **supply pressure P1 min.:** 1,5 bar
- **supply pressure P1 max.:** 16 bar
- **temperature range:** 0 - 60°C
- **bowl:** PC
- **drain:** HA3
- **mounting:** vertical
- **filter element:** 60 µm

### accessories

Service 3 unit

Service 2 unit

Filter regulator

**Filter**

Pressure regulator

Lubricator

System extensions

Accessories

Special products

	type	part-number	description	price (pre-tax)
Service 3 unit	DF.86 HA3	9.1186.00.350.0V	Filter G1 1/4 60µm with PC bowl and semi automatic drain	520.91 €
	DF.86 M HA3	9.1186.00.352.0V	Filter G1 1/4 60µm with metal bowl and semi automatic drain	526.60 €
	DF.86 HA3 B	9.1186.00.353.0V	Filter G1 1/4 60µm with PC bowl, bowl guard and semi automatic drain	539.66 €
	DF.86 AM10	9.1186.00.400.0V	Filter G1 1/4 60µm with PC bowl and automatic drain	561.60 €
Service 2 unit	DF.86 M AM10	9.1186.00.402.0V	Filter G1 1/4 60µm with metal bowl and automatic drain	567.28 €
	DF.86 AM10 B	9.1186.00.403.0V	Filter G1 1/4 60µm with PC bowl, bowl guard and automatic drain	580.34 €
	DF.87 HA3	9.1187.00.350.0	Filter G1 1/2 60µm with PC bowl and semi automatic drain	520.91 €
	DF.87 M HA3	9.1187.00.352.0	Filter G1 1/2 60µm with metal bowl and semi automatic drain	526.60 €
Filter regulator	DF.87 HA3 B	9.1187.00.353.0	Filter G1 1/2 60µm with PC bowl, bowl guard and semi automatic drain	539.66 €
	DF.87 AM10	9.1187.00.400.0	Filter G1 1/2 60µm with PC bowl and automatic drain	561.60 €
	DF.87 M AM10	9.1187.00.402.0	Filter G1 1/2 60µm with metal bowl and automatic drain	567.28 €
	DF.87 AM10 B	9.1187.00.403.0	Filter G1 1/2 60µm with PC bowl, bowl guard and automatic drain	580.34 €
Filter	DF.88 HA3	9.1188.00.350.0	Filter G2 60µm with PC bowl and semi automatic drain	477.80 €
	DF.88 M HA3	9.1188.00.352.0	Filter G2 60µm with metal bowl and semi automatic drain	483.49 €
	DF.88 HA3 B	9.1188.00.353.0	Filter G2 60µm with PC bowl, bowl guard and semi automatic drain	496.55 €
	DF.88 AM10	9.1188.00.400.0	Filter G2 60µm with PC bowl and automatic drain	518.49 €
Pressure regulator	DF.88 M AM10	9.1188.00.402.0	Filter G2 60µm with metal bowl and automatic drain	524.18 €
	DF.88 AM10 B	9.1188.00.403.0	Filter G2 60µm with PC bowl, bowl guard and automatic drain	537.24 €
Lubricator				
System extensions				
Accessories				
Special products				

## Filter | BG9



Image shows:  
9.1198.00.102.0

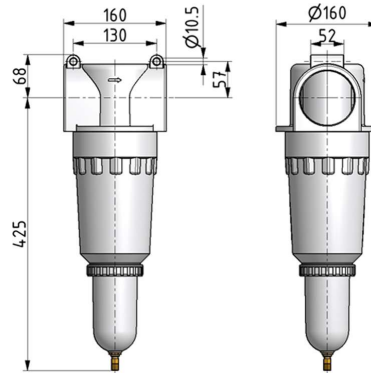
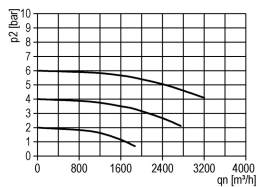
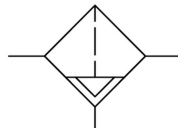


Image shows:  
9.1198.00.102.0

### flow characteristic



### symbol



### technical data

- **description:** sinter filter centrifugal principle
- **medium:** compressed air, neutral gases
- **supply pressure P1 min.:** 1,5 bar
- **supply pressure P1 max.:** 16 bar
- **temperature range:** 0 - 60°C
- **bowl:** metal bowl
- **drain:** AM NO
- **mounting:** vertical
- **filter element:** 8 µm

### accessories

Service 3 unit

Service 2 unit

Filter regulator

**Filter**

Pressure regulator

Lubricator

System extensions

Accessories

Special products

	type	part-number	description	price (pre-tax)
Service 3 unit	DF.98 M AM10	9.1198.00.102.0	Filter G2 1/2 8µm with metal bowl and automatic drain	632.99 €
	DF.98 AM10 B	9.1198.00.103.0	Filter G2 1/2 8µm with PC bowl, bowl guard and automatic drain	646.05 €
	DF.98 HA3	9.1198.00.350.0	Filter G2 1/2 60µm with PC bowl and semi automatic drain	586.62 €
	DF.98 M HA3	9.1198.00.352.0	Filter G2 1/2 60µm with metal bowl and semi automatic drain	592.30 €
	DF.98 HA3 B	9.1198.00.353.0	Filter G2 1/2 60µm with PC bowl, bowl guard and semi automatic drain	605.36 €
Service 2 unit	DF.98 AM10	9.1198.00.400.0	Filter G2 1/2 60µm with PC bowl and automatic drain	627.31 €
	DF.99 HA3	9.1199.00.350.0	Filter G3 60µm with PC bowl and semi automatic drain	502.55 €
	DF.99 M HA3	9.1199.00.352.0	Filter G3 60µm with metal bowl and semi automatic drain	508.24 €
	DF.99 HA3 B	9.1199.00.353.0	Filter G3 60µm with PC bowl, bowl guard and semi automatic drain	521.30 €
	DF.99 AM10	9.1199.00.400.0	Filter G3 60µm with PC bowl and automatic drain	543.24 €
Filter regulator	DF.99 M AM10	9.1199.00.402.0	Filter G3 60µm with metal bowl and automatic drain	548.92 €
	DF.99 AM10 B	9.1199.00.403.0	Filter G3 60µm with PC bowl, bowl guard and automatic drain	561.98 €
<b>Filter</b>				
Pressure regulator				
Lubricator				
System extensions				
Accessories				
Special products				



## Prefilter | BG3



Image shows:  
9.1133.00.914.0

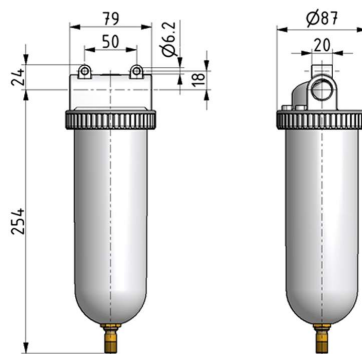
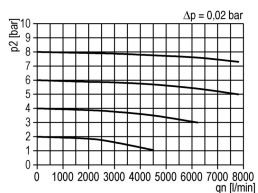
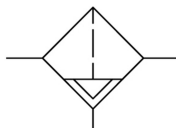


Image shows:  
9.1133.00.914.0

### flow characteristic



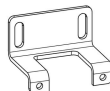
### symbol



### technical data

- **description:** prefilter
- **medium:** compressed air, neutral gases
- **supply pressure P1 min.:** 1,5 bar
- **supply pressure P1 max.:** 16 bar
- **temperature range:** 0 - 60°C
- **bowl:** metal bowl
- **drain:** AM NO
- **mounting:** vertical
- **filter element:** 0,3 µm
- **particle separation:** > 0,3 µm 99,999%

### accessories



- **mounting bracket:** [ZW.30](#)

type	part-number	description	price (pre-tax)
DFV.33 M AM10	9.1133.00.914.0	Prefilter G1/2 0,3µm with metal bowl and automatic drain	255.85 €

Service 3 unit

Service 2 unit

Filter regulator

**Filter**

Pressure regulator

Lubricator

System extensions

Accessories

Special products

## Prefilter | BG5

Service 3 unit

Service 2 unit



Image shows:  
9.1155.00.908.0

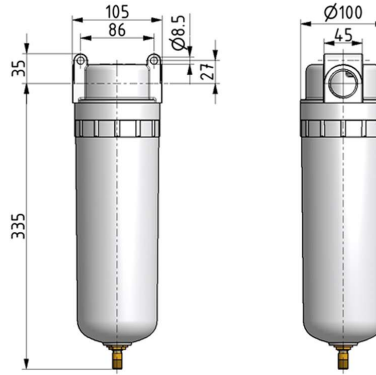
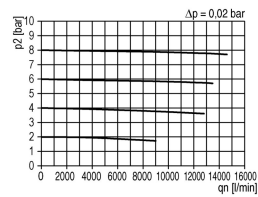


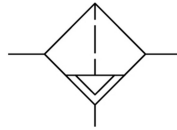
Image shows:  
9.1155.00.908.0

Filter regulator

### flow characteristic



### symbol



Filter

Pressure regulator

### technical data

- **description:** prefilter
- **medium:** compressed air, neutral gases
- **supply pressure P1 min.:** 1,5 bar
- **supply pressure P1 max.:** 16 bar
- **temperature range:** 0 - 60°C
- **bowl:** metal bowl
- **drain:** AM NO
- **mounting:** vertical
- **filter element:** 0,3 µm
- **particle separation:** > 0,3 µm 99,999%

### accessories

Lubricator

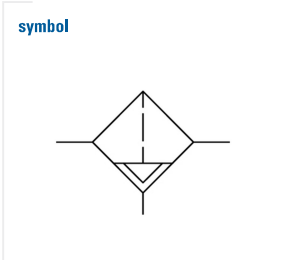
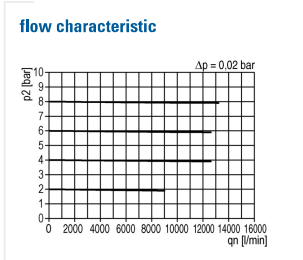
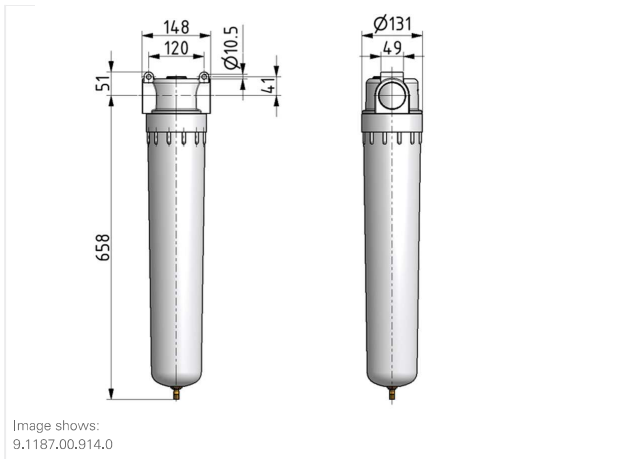
System extensions

Accessories

type	part-number	description	price (pre-tax)
DFV.55 M AM10	9.1155.00.908.0	Prefilter G1 0,3µm with metal bowl and automatic drain	477.80 €

Special products

# Prefilter | BG8



**technical data**

- **description:** prefilter
- **medium:** compressed air, neutral gases
- **supply pressure P1 min.:** 1,5 bar
- **supply pressure P1 max.:** 16 bar
- **temperature range:** 0 - 60°C
- **bowl:** metal bowl
- **drain:** AM NO
- **mounting:** vertical
- **filter element:** 0,3 µm
- **particle separation:** > 0,3 µm 99,999%

**accessories**

- **differential pressure gauge:**  
[DM 2](#)

type	part-number	description	price (pre-tax)
DFV.87 M AM10	9.1187.00.914.0	Prefilter G1 1/2 0,3µm with metal bowl and automatic drain	829.75 €

- Service 3 unit
- Service 2 unit
- Filter regulator
- Filter**
- Pressure regulator
- Lubricator
- System extensions
- Accessories
- Special products

## Prefilter | BG8

Service 3 unit

Service 2 unit



Image shows:  
9.1188.00.914.0

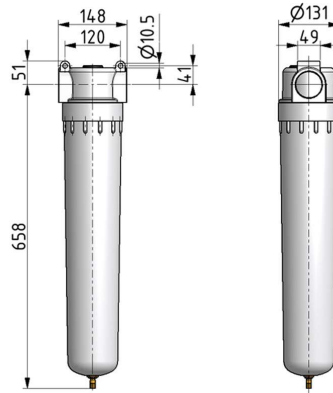
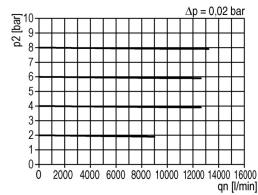


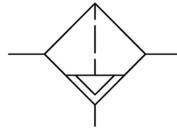
Image shows:  
9.1188.00.914.0

Filter regulator

### flow characteristic



### symbol



Filter

Pressure regulator

### technical data

- **description:** prefilter
- **medium:** compressed air, neutral gases
- **supply pressure P1 min.:** 1,5 bar
- **supply pressure P1 max.:** 16 bar
- **temperature range:** 0 - 60°C
- **bowl:** metal bowl
- **drain:** AM NO
- **mounting:** vertical
- **filter element:** 0,3 µm
- **particle separation:** > 0,3 µm 99,999%

### accessories



- **differential pressure gauge:**  
[DM 2](#)

Lubricator

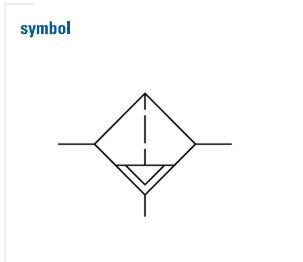
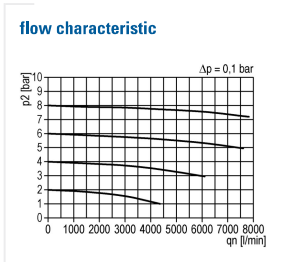
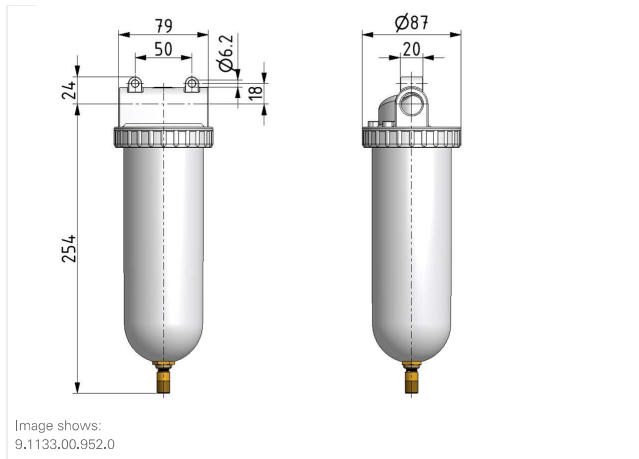
System extensions

Accessories

type	part-number	description	price (pre-tax)
DFV.88 M AM10	9.1188.00.914.0	Prefilter G2 0,3µm with metal bowl and automatic drain	786.64 €

Special products

## Finefilter | BG3



**technical data**

- **description:** finefilter
- **medium:** compressed air, neutral gases
- **supply pressure P1 min.:** 1,5 bar
- **supply pressure P1 max.:** 16 bar
- **temperature range:** 0 - 60°C
- **bowl:** metal bowl
- **drain:** AM NO
- **mounting:** vertical
- **filter element:** 0,01 μm
- **particle separation:** > 0,01 μm 99,999%
- **residual oil concent:** 0,01 mg/m<sup>3</sup>

**accessories**

- **mounting bracket:** [ZW.30](#)

type	part-number	description	price (pre-tax)
DFX.33 M AM10	9.1133.00.952.0	Finefilter G1/2 0,01μm with metal bowl and automatic drain	255.85 €

- Service 3 unit
- Service 2 unit
- Filter regulator
- Filter**
- Pressure regulator
- Lubricator
- System extensions
- Accessories
- Special products

# Finefilter | BG5

Service 3 unit

Service 2 unit



Image shows:  
9.1155.00.952.0

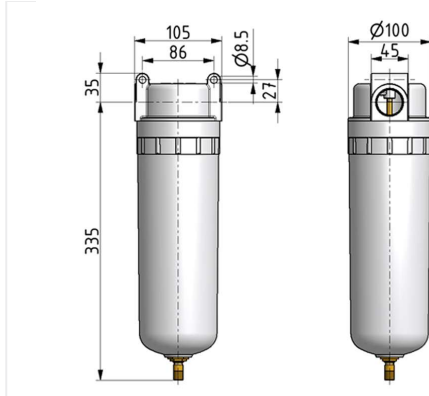
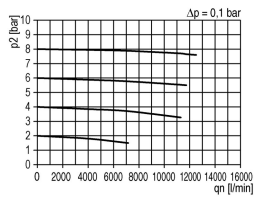


Image shows:  
9.1155.00.952.0

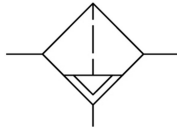
Filter regulator

Filter

### flow characteristic



### symbol



Pressure regulator

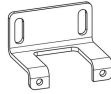
Lubricator

System extensions

### technical data

- **description:** finefilter
- **medium:** compressed air, neutral gases
- **supply pressure P1 min.:** 1,5 bar
- **supply pressure P1 max.:** 16 bar
- **temperature range:** 0 - 60°C
- **bowl:** metal bowl
- **drain:** AM NO
- **mounting:** vertical
- **filter element:** 0,01 µm
- **particle separation:** > 0,01 µm 99,999%
- **residual oil concent:** 0,01 mg/m<sup>3</sup>

### accessories



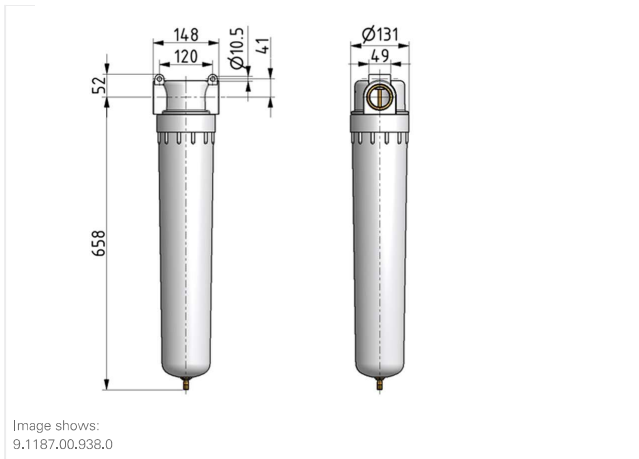
- **mounting bracket:** [ZW.30](#)

Accessories

Special products

type	part-number	description	price (pre-tax)
DFX.55 M AM10	9.1155.00.952.0	Finefilter G1 0,01µm with metal bowl and automatic drain	477.80 €

# Finefilter | BG8



Service 3 unit

Service 2 unit

Filter regulator

**Filter**

Pressure regulator

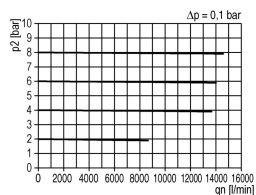
Lubricator

System extensions

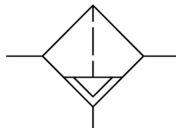
Accessories

Special products

### flow characteristic



### symbol



### technical data

- **description:** finefilter
- **medium:** compressed air, neutral gases
- **supply pressure P1 min.:** 1,5 bar
- **supply pressure P1 max.:** 16 bar
- **temperature range:** 0 - 60°C
- **bowl:** metal bowl
- **drain:** AM NO
- **mounting:** vertical
- **filter element:** 0,01 μm
- **particle separation:** > 0,01 μm 99,999%
- **residual oil concent:** 0,01 mg/m<sup>3</sup>

### accessories



- differential pressure gauge:  
[DM 2](#)

type	part-number	description	price (pre-tax)
DFX.87 M AM10	9.1187.00.938.0	Finefilter G1 1/2 0,01μm with metal bowl and automatic drain	829.75 €

## Finefilter | BG8

Service 3 unit

Service 2 unit



Image shows:  
9.1188.00.952.0

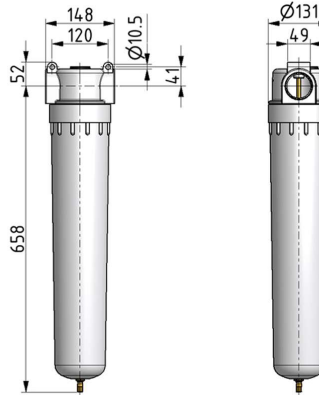
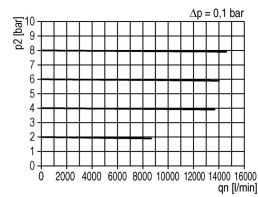


Image shows:  
9.1188.00.952.0

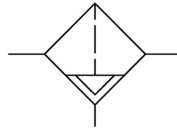
Filter regulator

Filter

### flow characteristic



### symbol



Pressure regulator

Lubricator

System extensions

### technical data

- **description:** finefilter
- **medium:** compressed air, neutral gases
- **supply pressure P1 min.:** 1,5 bar
- **supply pressure P1 max.:** 16 bar
- **temperature range:** 0 - 60°C
- **bowl:** metal bowl
- **drain:** AM NO
- **mounting:** vertical
- **filter element:** 0,01 µm
- **particle separation:** > 0,01 µm 99,999%
- **residual oil concent:** 0,01 mg/m<sup>3</sup>

### accessories



- **differential pressure gauge:**  
[DM 2](#)

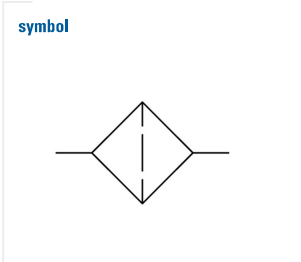
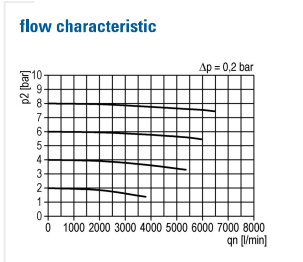
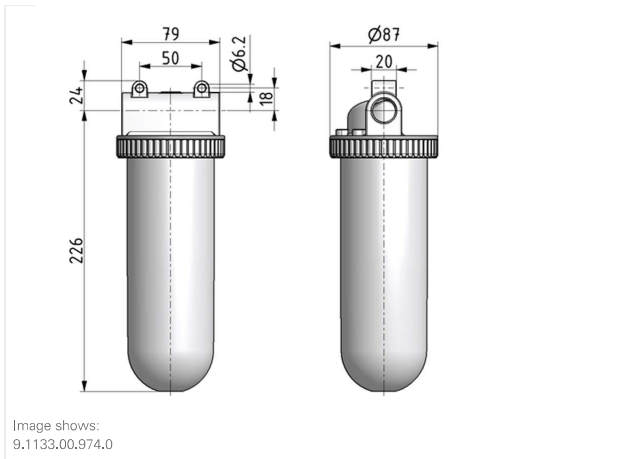
Accessories

Special products

type	part-number	description	price (pre-tax)
DFX.88 M AM10	9.1188.00.952.0	Finefilter G2 0,01µm with metal bowl and automatic drain	786.64 €



## Active carbon filter | BG3



**technical data**

- **description:** active carbon filter
- **medium:** compressed air, neutral gases
- **supply pressure P1 min.:** 0 bar
- **supply pressure P1 max.:** 25 bar
- **temperature range:** 0 - 60°C
- **bowl:** metal bowl
- **mounting:** vertical
- **residual oil concent:** 0,005 mg/m<sup>3</sup>

**accessories**

- **mounting bracket:** [ZW.30](#)

type	part-number	description	price (pre-tax)
DFA.33 M	9.1133.00.974.0	Activated carbon filter G1/2 with metal bowl	255.85 €

Service 3 unit

Service 2 unit

Filter regulator

**Filter**

Pressure regulator

Lubricator

System extensions

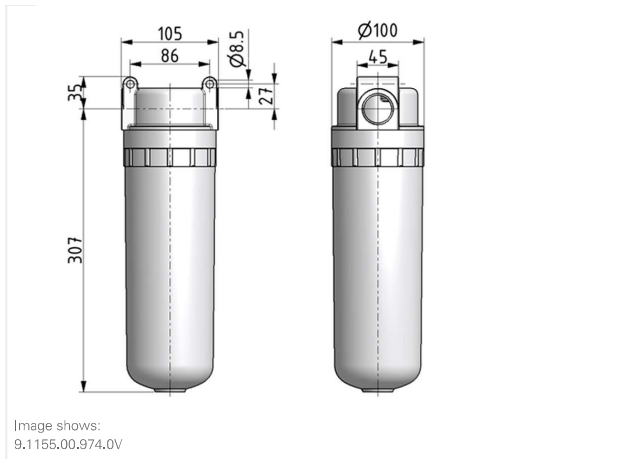
Accessories

Special products

## Active carbon filter | BG5

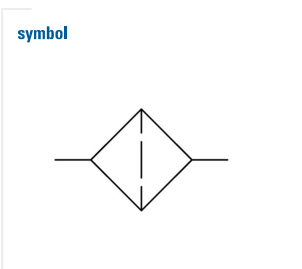
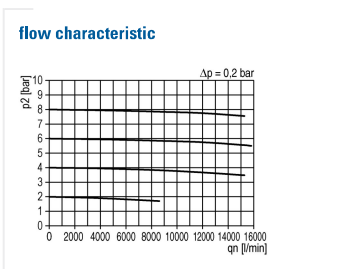
Service 3 unit

Service 2 unit



Filter regulator

Filter



Pressure regulator

Lubricator

System extensions

**technical data**

- **description:** active carbon filter
- **medium:** compressed air, neutral gases
- **supply pressure P1 min.:** 0 bar
- **supply pressure P1 max.:** 25 bar
- **temperature range:** 0 - 60°C
- **bowl:** metal bowl
- **mounting:** vertical
- **residual oil concent:** 0,005 mg/m<sup>3</sup>

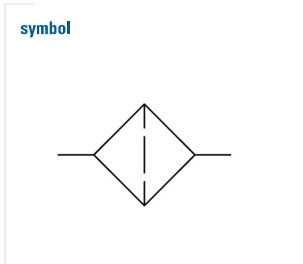
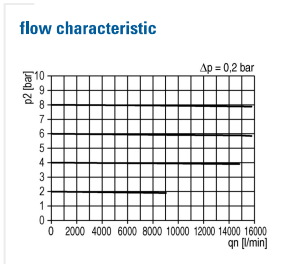
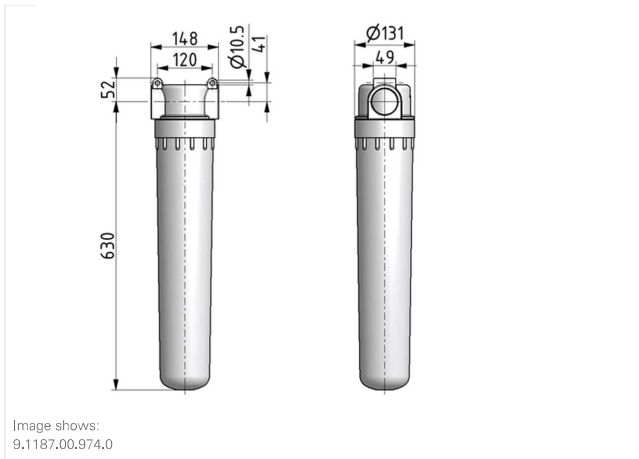
**accessories**

Accessories

type	part-number	description	price (pre-tax)
DFA.55 M	9.1155.00.974.0V	Activated carbon filter G 1 with metal bowl	477.80 €

Special products

## Active carbon filter | BG8



**technical data**

- **description:** active carbon filter
- **medium:** compressed air, neutral gases
- **supply pressure P1 min.:** 0 bar
- **supply pressure P1 max.:** 20 bar
- **temperature range:** 0 - 60°C
- **bowl:** metal bowl
- **mounting:** vertical
- **residual oil concent:** 0,005 mg/m<sup>3</sup>

**accessories**

type	part-number	description	price (pre-tax)
DFA.87 M	9.1187.00.974.0	Activated carbon filter G1 1/2 with metal bowl	829.75 €

Service 3 unit

Service 2 unit

Filter regulator

**Filter**

Pressure regulator

Lubricator

System extensions

Accessories

Special products

## Active carbon filter | BG8

Service 3 unit

Service 2 unit

Filter regulator

**Filter**

Pressure regulator

Lubricator

System extensions

Accessories

Special products



Image shows:  
9.1188.00.974.0

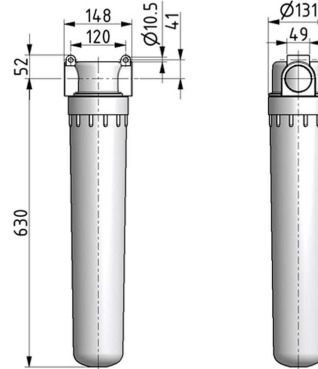
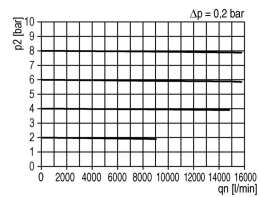
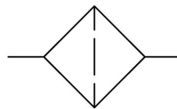


Image shows:  
9.1188.00.974.0

### flow characteristic



### symbol



### technical data

- **description:** active carbon filter
- **medium:** compressed air, neutral gases
- **supply pressure P1 min.:** 0 bar
- **supply pressure P1 max.:** 20 bar
- **temperature range:** 0 - 60°C
- **bowl:** metal bowl
- **mounting:** vertical
- **residual oil concent:** 0,005 mg/m<sup>3</sup>

### accessories

#### type

DFA.88 M

#### part-number

9.1188.00.974.0

#### description

Activated carbon filter G2 with metal bowl

#### price (pre-tax)

786.64 €