

Filter | BGO



Image shows:
91300.CC00

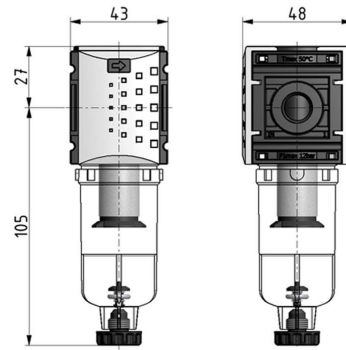


Image shows:
91300.CC00

Service 3 unit

Service 2 unit

Filter regulator

Filter

Pressure regulator

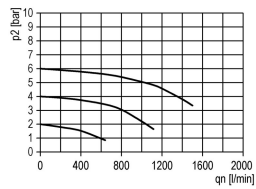
Lubricator

System extensions

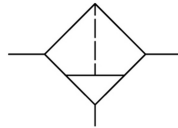
Accessories

Special products

flow characteristic



symbol



technical data

- **description:** sinter filter centrifugal principle
- **medium:** compressed air, neutral gases
- **supply pressure P1 min.:** 1,5 bar
- **supply pressure P1 max.:** 12 bar
- **temperature range:** 0 - 50°C
- **bowl:** PC
- **drain:** HA
- **mounting:** vertical
- **filter element:** 5 µm

accessories



- **mounting bracket:**
[KBW.0-1225](#)



- **coupling kit wall mounting:**
[KKOP.0W](#)

| type | part-number | description | price (pre-tax) |
|---------------|-------------|--|-----------------|
| KFIL-014 | 91300.CC00 | Filter G1/4 5µm with PC bowl and semi automatic drain | 16.96 € |
| KFIL-014 AM | 91300.CC01 | Filter G1/4 5µm with PC bowl and automatic drain | 53.61 € |
| KFIL-014 M | 91300.CC50 | Filter G1/4 5µm with metal bowl and semi automatic drain | 25.17 € |
| KFIL-014 M AM | 91300.CC51 | Filter G1/4 5µm with metal bowl and automatic drain | 61.74 € |

Filter | BG1

Service 3 unit

Service 2 unit



Image shows:
91301.CC00

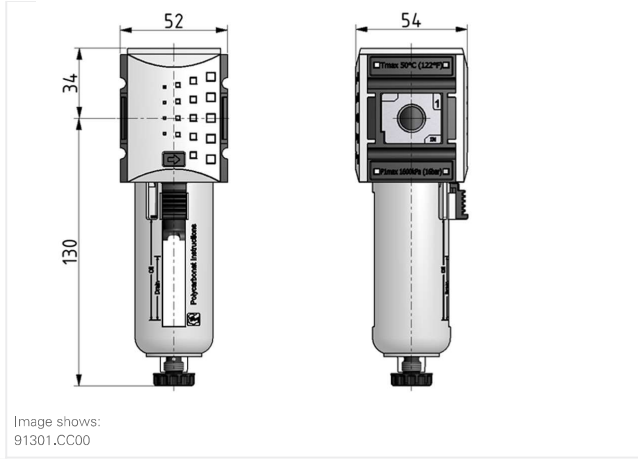
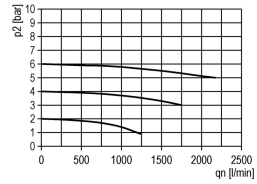


Image shows:
91301.CC00

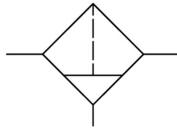
Filter regulator

Filter

flow characteristic



symbol



Pressure regulator

Lubricator

System extensions

Accessories

Special products

technical data

- **description:** sinter filter centrifugal principle
- **medium:** compressed air, neutral gases
- **supply pressure P1 min.:** 1,5 bar
- **supply pressure P1 max.:** 16 bar
- **temperature range:** 0 - 50°C
- **bowl:** PC with PA bowl guard
- **drain:** HA
- **mounting:** vertical
- **filter element:** 5 µm

accessories



- mounting bracket:
[KBW.1-1225](#)



- coupling kit wall mounting:
[KKOP.1W](#)

| type | part-number | description | price (pre-tax) |
|---------------|-------------|---|-----------------|
| KFIL-114 | 91301.CC00 | Filter G1/4 5µm with PC bowl, bowl guard and semi automatic drain | 25.64 € |
| KFIL-114 AM | 91301.CC01 | Filter G1/4 5µm with PC bowl, bowl guard and automatic drain | 66.34 € |
| KFIL-114 H | 91301.CC50 | Filter G1/4 5µm with metal bowl and semi automatic drain | 49.86 € |
| KFIL-114 H AM | 91301.CC51 | Filter G1/4 5µm with metal bowl and automatic drain | 90.56 € |
| KFIL-138 | 91301.DD00 | Filter G3/8 5µm with PC bowl, bowl guard and semi automatic drain | 25.64 € |
| KFIL-138 AM | 91301.DD01 | Filter G3/8 5µm with PC bowl, bowl guard and automatic drain | 66.34 € |
| KFIL-138 H | 91301.DD50 | Filter G3/8 5µm with metal bowl and semi automatic drain | 49.86 € |
| KFIL-138 H AM | 91301.DD51 | Filter G3/8 5µm with metal bowl and automatic drain | 90.56 € |

Service 3 unit

Service 2 unit

Filter regulator

Filter

Pressure regulator

Lubricator

System extensions

Accessories

Special products

Filter | BG2

Service 3 unit

Service 2 unit



Image shows:
91302.DD00

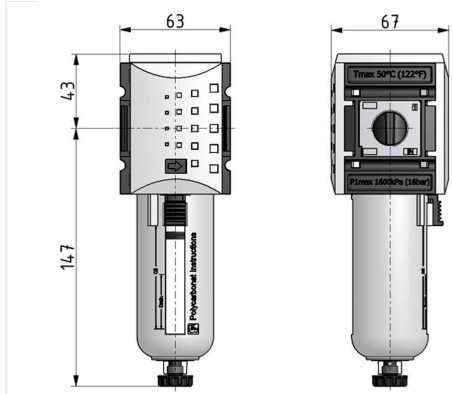
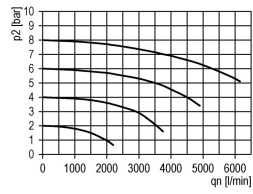


Image shows:
91302.DD00

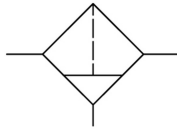
Filter regulator

Filter

flow characteristic



symbol



Pressure regulator

Lubricator

System extensions

Accessories

Special products

technical data

- **description:** sinter filter centrifugal principle
- **medium:** compressed air, neutral gases
- **supply pressure P1 min.:** 1,5 bar
- **supply pressure P1 max.:** 16 bar
- **temperature range:** 0 - 50°C
- **bowl:** PC with PA bowl guard
- **drain:** HA
- **mounting:** vertical
- **filter element:** 5 µm

accessories



- **mounting bracket:**
[KBW.2-1225](#)



- **coupling kit wall mounting:**
[KKOP.2W](#)

| type | part-number | description | price (pre-tax) |
|---------------|-------------|---|-----------------|
| KFIL-238 | 91302.DD00 | Filter G3/8 5µm with PC bowl, bowl guard and semi automatic drain | 44.64 € |
| KFIL-238 AM | 91302.DD01 | Filter G3/8 5µm with PC bowl, bowl guard and automatic drain | 85.33 € |
| KFIL-238 H | 91302.DD50 | Filter G3/8 5µm with metal bowl and semi automatic drain | 71.87 € |
| KFIL-238 H AM | 91302.DD51 | Filter G3/8 5µm with metal bowl and automatic drain | 112.57 € |
| KFIL-212 | 91302.EE00 | Filter G1/2 5µm with PC bowl, bowl guard and semi automatic drain | 44.64 € |
| KFIL-212 AM | 91302.EE01 | Filter G1/2 5µm with PC bowl, bowl guard and automatic drain | 85.33 € |
| KFIL-212 H | 91302.EE50 | Filter G1/2 5µm with metal bowl and semi automatic drain | 71.87 € |
| KFIL-212 H AM | 91302.EE51 | Filter G1/2 5µm with metal bowl and automatic drain | 112.57 € |

Service 3 unit

Service 2 unit

Filter regulator

Filter

Pressure regulator

Lubricator

System extensions

Accessories

Special products

Filter | BG4

Service 3 unit

Service 2 unit



Image shows:
91304.FF00

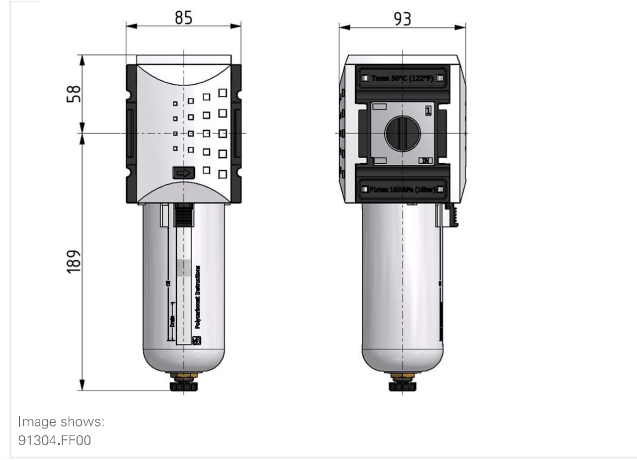
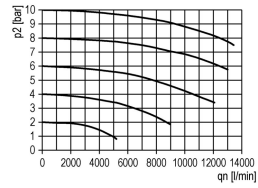


Image shows:
91304.FF00

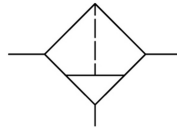
Filter regulator

Filter

flow characteristic



symbol



Pressure regulator

Lubricator

System extensions

Accessories

Special products

technical data

- **description:** sinter filter centrifugal principle
- **medium:** compressed air, neutral gases
- **supply pressure P1 min.:** 1,5 bar
- **supply pressure P1 max.:** 16 bar
- **temperature range:** 0 - 50°C
- **bowl:** PC with PA bowl guard
- **drain:** HA
- **mounting:** vertical
- **filter element:** 5 µm

accessories



- **mounting bracket:**
[KBW.4-1225](#)



- **coupling kit wall mounting:**
[KKOP.4W](#)

| type | part-number | description | price (pre-tax) |
|---------------|-------------|---|-----------------|
| KFIL-434 | 91304.FF00 | Filter G3/4 5µm with PC bowl, bowl guard and semi automatic drain | 92.78 € |
| KFIL-434 AM | 91304.FF01 | Filter G3/4 5µm with PC bowl, bowl guard and automatic drain | 133.48 € |
| KFIL-434 H | 91304.FF50 | Filter G3/4 5µm with metal bowl and semi automatic drain | 129.15 € |
| KFIL-434 H AM | 91304.FF51 | Filter G3/4 5µm with metal bowl and automatic drain | 170.57 € |
| KFIL-41 | 91304.GG00 | Filter G1 5µm with PC bowl, bowl guard and semi automatic drain | 92.78 € |
| KFIL-41 AM | 91304.GG01 | Filter G1 5µm with PC bowl, bowl guard and automatic drain | 133.48 € |
| KFIL-41 H | 91304.GG50 | Filter G1 5µm with metal bowl and semi automatic drain | 129.15 € |
| KFIL-41 H AM | 91304.GG51 | Filter G1 5µm with metal bowl and automatic drain | 170.57 € |

Service 3 unit

Service 2 unit

Filter regulator

Filter

Pressure regulator

Lubricator

System extensions

Accessories

Special products

Prefilter | BGO

Service 3 unit

Service 2 unit



Image shows:
91310.CC00

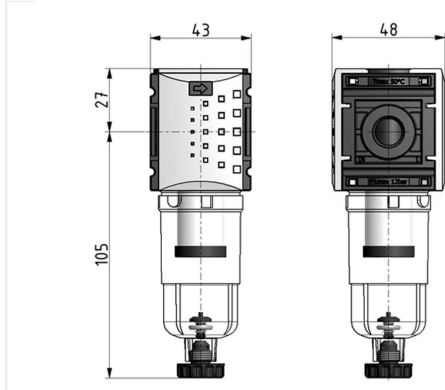
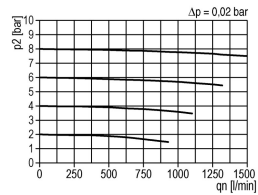


Image shows:
91310.CC00

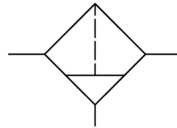
Filter regulator

Filter

flow characteristic



symbol



Pressure regulator

Lubricator

System extensions

technical data

- **description:** prefilter
- **medium:** compressed air, neutral gases
- **supply pressure P1 min.:** 1,5 bar
- **supply pressure P1 max.:** 12 bar
- **temperature range:** 0 - 50°C
- **bowl:** PC
- **drain:** HA
- **mounting:** vertical
- **filter element:** 0,3 µm
- **particle separation:** 99.999%

accessories



- **mounting bracket:**
[KBW.0-1225](#)



- **coupling kit wall mounting:**
[KKOP.0W](#)

Accessories

Special products

| type | part-number | description | price (pre-tax) |
|---------------|-------------|---|-----------------|
| KPFI-014 | 91310.CC00 | Prefilter G1/4 0,3µm with PC bowl and semi automatic drain | 55.73 € |
| KPFI-014 AM | 91310.CC01 | Prefilter G1/4 0,3µm with PC bowl and automatic drain | 92.39 € |
| KPFI-014 M | 91310.CC50 | Prefilter G1/4 0,3µm with metal bowl and semi automatic drain | 63.95 € |
| KPFI-014 M AM | 91310.CC51 | Prefilter G1/4 0,3µm with metal bowl and automatic drain | 100.51 € |

Prefilter | BG1



Image shows:
91311.CC00

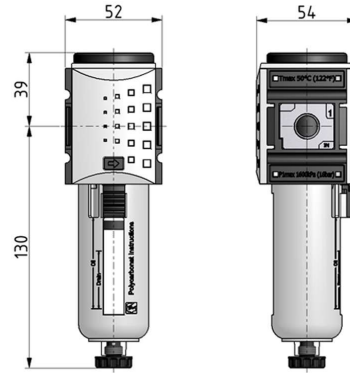


Image shows:
91311.CC00

Service 3 unit

Service 2 unit

Filter regulator

Filter

Pressure regulator

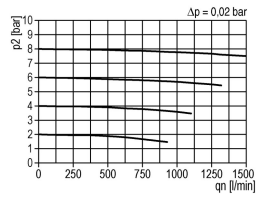
Lubricator

System extensions

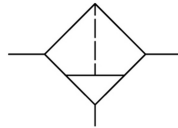
Accessories

Special products

flow characteristic



symbol



technical data

- **description:** prefilter
- **medium:** compressed air, neutral gases
- **supply pressure P1 min.:** 1,5 bar
- **supply pressure P1 max.:** 16 bar
- **temperature range:** 0 - 50°C
- **bowl:** PC with PA bowl guard
- **drain:** HA
- **mounting:** vertical
- **filter element:** 0,3 µm
- **particle separation:** 99.999%

accessories



- **mounting bracket:**
[KBW.1-1225](#)



- **coupling kit wall mounting:**
[KKOP.1W](#)

- **differential pressure display**



- **differential pressure gauge:**
[DM.2](#)

| | type | part-number | description | price (pre-tax) |
|--------------------|---------------|-------------|--|-----------------|
| Service 3 unit | KPFI-114 | 91311.CC00 | Prefilter G1/4 0,3µm with PC bowl, bowl guard and semi automatic drain | 67.45 € |
| | KPFI-114 AM | 91311.CC01 | Prefilter G1/4 0,3µm with PC bowl, bowl guard and automatic drain | 108.15 € |
| | KPFI-114 H | 91311.CC50 | Prefilter G1/4 0,3µm with metal bowl and semi automatic drain | 91.67 € |
| | KPFI-114 H AM | 91311.CC51 | Prefilter G1/4 0,3µm with metal bowl and automatic drain | 132.37 € |
| Service 2 unit | KPFI-138 | 91311.DD00 | Prefilter G3/8 0,3µm with PC bowl, bowl guard and semi automatic drain | 67.45 € |
| | KPFI-138 AM | 91311.DD01 | Prefilter G3/8 0,3µm with PC bowl, bowl guard and automatic drain | 108.15 € |
| | KPFI-138 H | 91311.DD50 | Prefilter G3/8 0,3µm with metal bowl and semi automatic drain | 91.67 € |
| | KPFI-138 H AM | 91311.DD51 | Prefilter G3/8 0,3µm with metal bowl and automatic drain | 132.37 € |
| Filter regulator | | | | |
| Filter | | | | |
| Pressure regulator | | | | |
| Lubricator | | | | |
| System extensions | | | | |
| Accessories | | | | |
| Special products | | | | |

Prefilter | BG2



Image shows:
91312.DD00

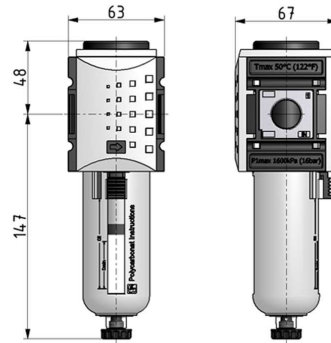


Image shows:
91312.DD00

Service 3 unit

Service 2 unit

Filter regulator

Filter

Pressure regulator

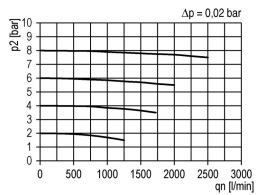
Lubricator

System extensions

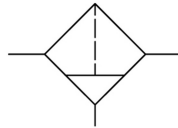
Accessories

Special products

flow characteristic



symbol



technical data

- **description:** prefilter
- **medium:** compressed air, neutral gases
- **supply pressure P1 min.:** 1,5 bar
- **supply pressure P1 max.:** 16 bar
- **temperature range:** 0 - 50°C
- **bowl:** PC with PA bowl guard
- **drain:** HA
- **mounting:** vertical
- **filter element:** 0,3 μm
- **particle separation:** 99.999%

accessories



- **mounting bracket:**
[KBW.2-1225](#)



- **coupling kit wall mounting:**
[KKOP.2W](#)

- **differential pressure display**



- **differential pressure gauge:**
[DM.2](#)

| | type | part-number | description | price (pre-tax) |
|--------------------|---------------|-------------|--|-----------------|
| Service 3 unit | KPFI-238 | 91312.DD00 | Prefilter G3/8 0,3µm with PC bowl, bowl guard and semi automatic drain | 125.94 € |
| | KPFI-238 AM | 91312.DD01 | Prefilter G3/8 0,3µm with PC bowl, bowl guard and automatic drain | 166.63 € |
| | KPFI-238 H | 91312.DD50 | Prefilter G3/8 0,3µm with metal bowl and semi automatic drain | 153.17 € |
| | KPFI-238 H AM | 91312.DD51 | Prefilter G3/8 0,3µm with metal bowl and automatic drain | 193.87 € |
| Service 2 unit | KPFI-212 | 91312.EE00 | Prefilter G1/2 0,3µm with PC bowl, bowl guard and semi automatic drain | 125.94 € |
| | KPFI-212 AM | 91312.EE01 | Prefilter G1/2 0,3µm with PC bowl, bowl guard and automatic drain | 166.63 € |
| | KPFI-212 H | 91312.EE50 | Prefilter G1/2 0,3µm with metal bowl and semi automatic drain | 153.17 € |
| | KPFI-212 H AM | 91312.EE51 | Prefilter G1/2 0,3µm with metal bowl and automatic drain | 193.87 € |
| Filter regulator | | | | |
| Filter | | | | |
| Pressure regulator | | | | |
| Lubricator | | | | |
| System extensions | | | | |
| Accessories | | | | |
| Special products | | | | |

Prefilter | BG4



Image shows:
91314.FF00

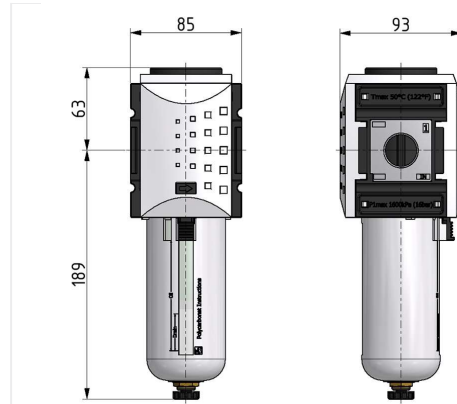


Image shows:
91314.FF00

Service 3 unit

Service 2 unit

Filter regulator

Filter

Pressure regulator

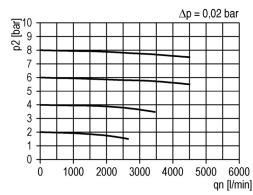
Lubricator

System extensions

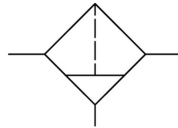
Accessories

Special products

flow characteristic



symbol



technical data

- **description:** prefilter
- **medium:** compressed air, neutral gases
- **supply pressure P1 min.:** 1,5 bar
- **supply pressure P1 max.:** 16 bar
- **temperature range:** 0 - 50°C
- **bowl:** PC with PA bowl guard
- **drain:** HA
- **mounting:** vertical
- **filter element:** 0,3 μm
- **particle separation:** 99.999%

accessories



- **mounting bracket:**
[KBW.4-1225](#)



- **coupling kit wall mounting:**
[KKOP.4W](#)

- **differential pressure display**



- **differential pressure gauge:**
[DM.2](#)

| | type | part-number | description | price (pre-tax) |
|--------------------|---------------|-------------|--|-----------------|
| Service 3 unit | KPFI-434 | 91314.FF00 | Prefilter G3/4 0,3µm with PC bowl, bowl guard and semi automatic drain | 168.42 € |
| | KPFI-434 AM | 91314.FF01 | Prefilter G3/4 0,3µm with PC bowl, bowl guard and automatic drain | 209.12 € |
| | KPFI-434 H | 91314.FF50 | Prefilter G3/4 0,3µm with metal bowl and semi automatic drain | 204.79 € |
| | KPFI-434 H AM | 91314.FF51 | Prefilter G3/4 0,3µm with metal bowl and automatic drain | 246.21 € |
| Service 2 unit | KPFI-41 | 91314.GG00 | Prefilter G1 0,3µm with PC bowl, bowl guard and semi automatic drain | 168.42 € |
| | KPFI-41 AM | 91314.GG01 | Prefilter G1 0,3µm with PC bowl, bowl guard and automatic drain | 209.12 € |
| | KPFI-41 H | 91314.GG50 | Prefilter G1 0,3µm with metal bowl and semi automatic drain | 204.79 € |
| | KPFI-41 H AM | 91314.GG51 | Prefilter G1 0,3µm with metal bowl and automatic drain | 246.21 € |
| Filter regulator | | | | |
| Filter | | | | |
| Pressure regulator | | | | |
| Lubricator | | | | |
| System extensions | | | | |
| Accessories | | | | |
| Special products | | | | |

Finefilter | BGO



Image shows:
91320.CC00

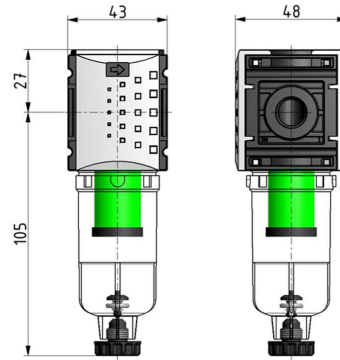


Image shows:
91320.CC00

Service 3 unit

Service 2 unit

Filter regulator

Filter

Pressure regulator

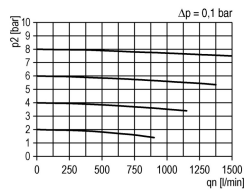
Lubricator

System extensions

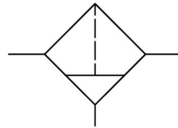
Accessories

Special products

flow characteristic



symbol



technical data

- **description:** finefilter
- **medium:** compressed air, neutral gases
- **supply pressure P1 min.:** 1,5 bar
- **supply pressure P1 max.:** 12 bar
- **temperature range:** 0 - 50°C
- **bowl:** PC
- **drain:** HA
- **mounting:** vertical
- **filter element:** 0,01 µm
- **particle separation:** class 1 according to DIN ISO 8573-1
- **residual oil concent:** < 0,01 mg/m³ 99.999%

accessories



- **mounting bracket:**
[KBW.0-1225](#)



- **coupling kit wall mounting:**
[KKOP.0W](#)

| type | part-number | description | price (pre-tax) |
|---------------|-------------|---|-----------------|
| KCFI-014 | 91320.CC00 | Finefilter G1/4 0,01µm with PC bowl and semi automatic drain | 55.73 € |
| KCFI-014 AM | 91320.CC01 | Finefilter G1/4 0,01µm with PC bowl and automatic drain | 92.39 € |
| KCFI-014 M | 91320.CC50 | Finefilter G1/4 0,01µm with metal bowl and semi automatic drain | 63.95 € |
| KCFI-014 M AM | 91320.CC51 | Finefilter G1/4 0,01µm with metal bowl and automatic drain | 100.51 € |

Finefilter | BG1

Service 3 unit

Service 2 unit



Image shows:
91321.CC00

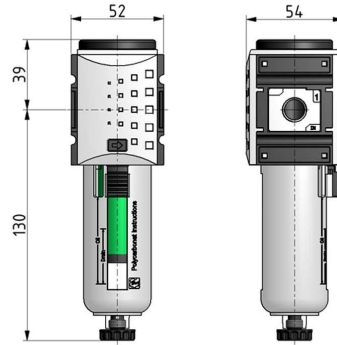
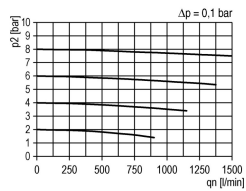


Image shows:
91321.CC00

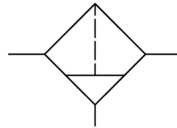
Filter regulator

Filter

flow characteristic



symbol



Pressure regulator

Lubricator

technical data

- **description:** finefilter
- **medium:** compressed air, neutral gases
- **supply pressure P1 min.:** 1,5 bar
- **supply pressure P1 max.:** 16 bar
- **temperature range:** 0 - 50°C
- **bowl:** PC with PA bowl guard
- **drain:** HA
- **mounting:** vertical
- **filter element:** 0,01 μm
- **particle separation:** class 1 according to DIN ISO 8573-1
- **residual oil concent:** < 0,01 mg/m³ 99.999%

accessories



- **mounting bracket:**
[KBW.1-1225](#)



- **coupling kit wall mounting:**
[KKOP.1W](#)

- **differential pressure display**



- **differential pressure gauge:**
[DM.2](#)

System extensions

Accessories

Special products

| type | part-number | description | price (pre-tax) |
|---------------|-------------|--|-----------------|
| KCFI-114 | 91321.CC00 | Finefilter G1/4 0,01µm with PC bowl, bowl guard and semi automatic drain | 67.45 € |
| KCFI-114 AM | 91321.CC01 | Finefilter G1/4 0,01µm with PC bowl, bowl guard and automatic drain | 108.15 € |
| KCFI-114 H | 91321.CC50 | Finefilter G1/4 0,01µm with metal bowl and semi automatic drain | 91.67 € |
| KCFI-114 H AM | 91321.CC51 | Finefilter G1/4 0,01µm with metal bowl and automatic drain | 132.37 € |
| KCFI-138 | 91321.DD00 | Finefilter G3/8 0,01µm with PC bowl, bowl guard and semi automatic drain | 67.45 € |
| KCFI-138 AM | 91321.DD01 | Finefilter G3/8 0,01µm with PC bowl, bowl guard and automatic drain | 108.15 € |
| KCFI-138 H | 91321.DD50 | Finefilter G3/8 0,01µm with metal bowl and semi automatic drain | 91.67 € |
| KCFI-138 H AM | 91321.DD51 | Finefilter G3/8 0,01µm with metal bowl and automatic drain | 132.37 € |

Service 3 unit

Service 2 unit

Filter regulator

Filter

Pressure regulator

Lubricator

System extensions

Accessories

Special products

Finefilter | BG2

Service 3 unit

Service 2 unit

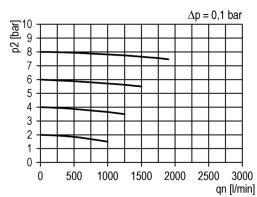


Image shows:
91322.DD00

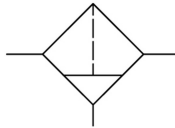
Filter regulator

Filter

flow characteristic



symbol



Pressure regulator

Lubricator

technical data

- **description:** finefilter
- **medium:** compressed air, neutral gases
- **supply pressure P1 min.:** 1,5 bar
- **supply pressure P1 max.:** 16 bar
- **temperature range:** 0 - 50°C
- **body:** PC with PA bowl guard
- **drain:** HA
- **mounting:** vertical
- **filter element:** 0,01 μm
- **particle separation:** class 1 according to DIN ISO 8573-1
- **residual oil content:** < 0,01 mg/m³ 99.999%

System extensions

Accessories

Special products

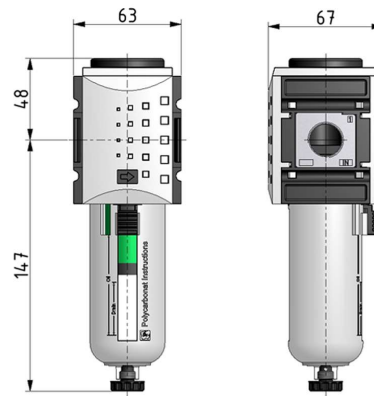


Image shows:
91322.DD00

accessories



- **mounting bracket:**
[KBW.2-1225](#)



- **coupling kit wall mounting:**
[KKOP.2W](#)



- **differential pressure gauge:**
[DM.2](#)

- **differential pressure display**

| type | part-number | description | price (pre-tax) |
|---------------|-------------|--|-----------------|
| KCFI-238 | 91322.DD00 | Finefilter G3/8 0,01µm with PC bowl, bowl guard and semi automatic drain | 125.94 € |
| KCFI-238 AM | 91322.DD01 | Finefilter G3/8 0,01µm with PC bowl, bowl guard and automatic drain | 166.63 € |
| KCFI-238 H | 91322.DD50 | Finefilter G3/8 0,01µm with metal bowl and semi automatic drain | 153.17 € |
| KCFI-238 H AM | 91322.DD51 | Finefilter G3/8 0,01µm with metal bowl and automatic drain | 193.87 € |
| KCFI-212 | 91322.EE00 | Finefilter G1/2 0,01µm with PC bowl, bowl guard and semi automatic drain | 125.94 € |
| KCFI-212 AM | 91322.EE01 | Finefilter G1/2 0,01µm with PC bowl, bowl guard and automatic drain | 166.63 € |
| KCFI-212 H | 91322.EE50 | Finefilter G1/2 0,01µm with metal bowl and semi automatic drain | 153.17 € |
| KCFI-212 H AM | 91322.EE51 | Finefilter G1/2 0,01µm with metal bowl and automatic drain | 193.87 € |

Service 3 unit

Service 2 unit

Filter regulator

Filter

Pressure regulator

Lubricator

System extensions

Accessories

Special products

Finefilter | BG4

Service 3 unit

Service 2 unit

Filter regulator

Filter

Pressure regulator

Lubricator

System extensions

Accessories

Special products



Image shows:
91324.FF00

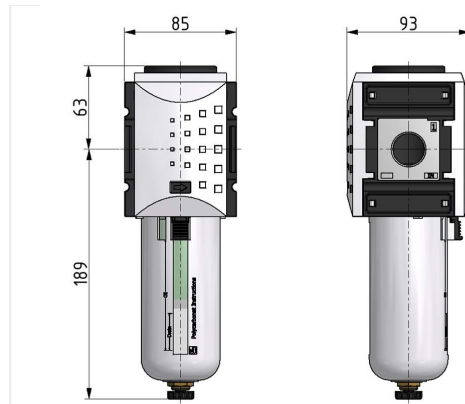
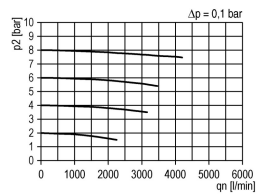
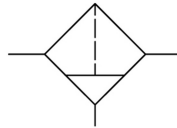


Image shows:
91324.FF00

flow characteristic



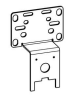
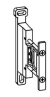

symbol



technical data

- **description:** finefilter
- **medium:** compressed air, neutral gases
- **supply pressure P1 min.:** 1,5 bar
- **supply pressure P1 max.:** 16 bar
- **temperature range:** 0 - 50°C
- **body:** PC with PA bowl guard
- **drain:** HA
- **mounting:** vertical
- **filter element:** 0,01 μm
- **particle separation:** class 1 according to DIN ISO 8573-1
- **residual oil content:** < 0,01 mg/m³ 99.999%

accessories

| | | |
|--|--|--|
|  <ul style="list-style-type: none"> • mounting bracket: KBW.4-1225 |  <ul style="list-style-type: none"> • coupling kit wall mounting: KKOP.4W | <ul style="list-style-type: none"> • differential pressure display |
|  <ul style="list-style-type: none"> • differential pressure gauge: DM.2 | | |

| type | part-number | description | price (pre-tax) |
|---------------|-------------|--|-----------------|
| KCFI-434 | 91324.FF00 | Finefilter G3/4 0,01µm with PC bowl, bowl guard and semi automatic drain | 168.42 € |
| KCFI-434 AM | 91324.FF01 | Finefilter G3/4 0,01µm with PC bowl, bowl guard and automatic drain | 209.12 € |
| KCFI-434 H | 91324.FF50 | Finefilter G3/4 0,01µm with metal bowl and semi automatic drain | 204.79 € |
| KCFI-434 H AM | 91324.FF51 | Finefilter G3/4 0,01µm with metal bowl and automatic drain | 246.21 € |
| KCFI-41 | 91324.GG00 | Finefilter G1 0,01µm with PC bowl, bowl guard and semi automatic drain | 168.42 € |
| KCFI-41 AM | 91324.GG01 | Finefilter G1 0,01µm with PC bowl, bowl guard and automatic drain | 209.12 € |
| KCFI-41 H | 91324.GG50 | Finefilter G1 0,01µm with metal bowl and semi automatic drain | 204.79 € |
| KCFI-41 H AM | 91324.GG51 | Finefilter G1 0,01µm with metal bowl and automatic drain | 246.21 € |

Service 3 unit

Service 2 unit

Filter regulator

Filter

Pressure regulator

Lubricator

System extensions

Accessories

Special products

Active carbon filter | BGO

Service 3 unit

Service 2 unit



Image shows:
91330.CC00

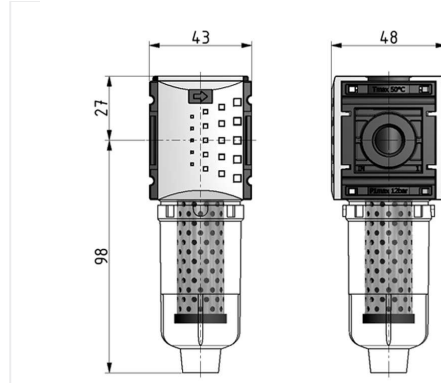
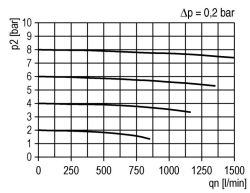


Image shows:
91330.CC00

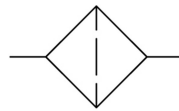
Filter regulator

Filter

flow characteristic



symbol



Pressure regulator

Lubricator

System extensions

technical data

- **description:** active carbon filter
- **medium:** compressed air, neutral gases
- **supply pressure P1 min.:** 0 bar
- **supply pressure P1 max.:** 12 bar
- **temperature range:** 0 - 50°C
- **bowl:** PC
- **mounting:** vertical

accessories



- **mounting bracket:**
[KBW.0-1225](#)



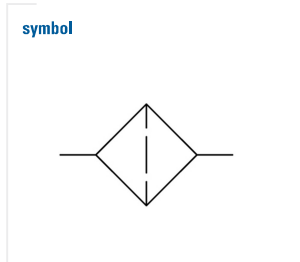
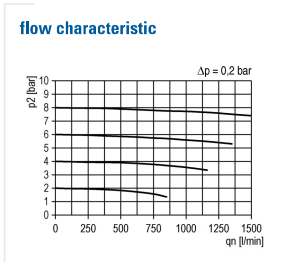
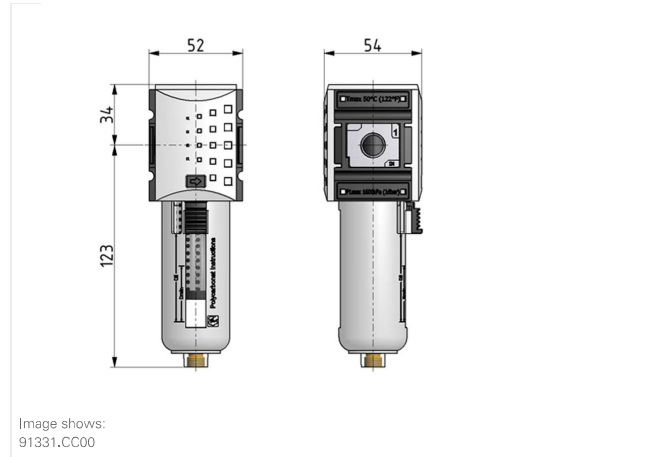
- **coupling kit wall mounting:**
[KKOP.0W](#)

Accessories

Special products

| type | part-number | description | price (pre-tax) |
|------------|-------------|--|-----------------|
| KAFI-014 | 91330.CC00 | Activated carbon filter G1/4 with PC bowl | 54.90 € |
| KAFI-014 M | 91330.CC50 | Activated carbon filter G1/4 with metal bowl | 59.56 € |

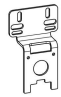
Active carbon filter | BG1



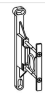
technical data

- **description:** active carbon filter
- **medium:** compressed air, neutral gases
- **supply pressure P1 min.:** 0 bar
- **supply pressure P1 max.:** 16 bar
- **temperature range:** 0 - 50°C
- **bowl:** PC with PA bowl guard
- **mounting:** vertical

accessories



• **mounting bracket:**
[KBW.1-1225](#)



• **coupling kit wall mounting:**
[KKOP.1W](#)

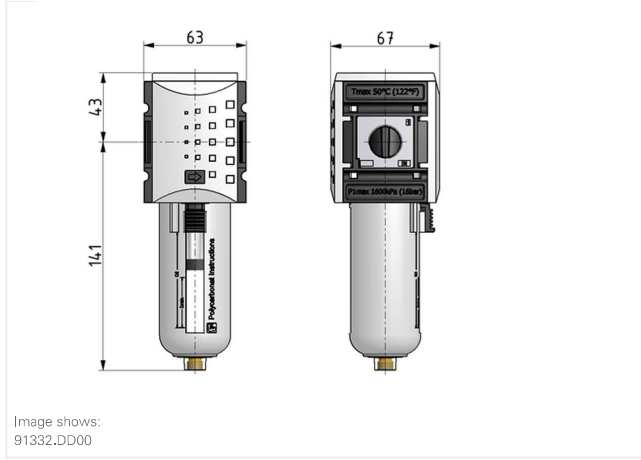
| type | part-number | description | price (pre-tax) |
|------------|-------------|--|-----------------|
| KAFI-114 | 91331.CC00 | Activated carbon filter G1/4 with PC bowl and bowl guard | 65.38 € |
| KAFI-114 H | 91331.CC50 | Activated carbon filter G1/4 with metal bowl | 89.60 € |
| KAFI-138 | 91331.DD00 | Activated carbon filter G3/8 with PC bowl and bowl guard | 65.38 € |
| KAFI-138 H | 91331.DD50 | Activated carbon filter G3/8 with metal bowl | 89.60 € |

- Service 3 unit
- Service 2 unit
- Filter regulator
- Filter**
- Pressure regulator
- Lubricator
- System extensions
- Accessories
- Special products

Active carbon filter | BG2

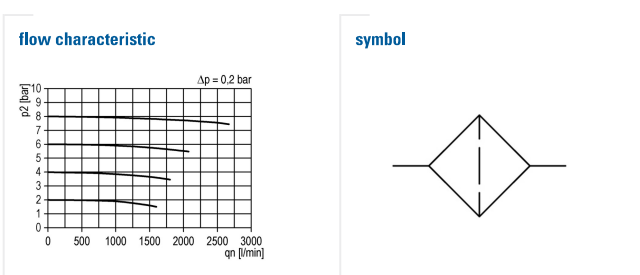
Service 3 unit

Service 2 unit



Filter regulator

Filter



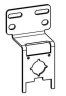
Pressure regulator

Lubricator

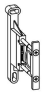
technical data

- **description:** active carbon filter
- **medium:** compressed air, neutral gases
- **supply pressure P1 min.:** 0 bar
- **supply pressure P1 max.:** 16 bar
- **temperature range:** 0 - 50°C
- **bowl:** PC with PA bowl guard
- **mounting:** vertical

accessories



• **mounting bracket:**
[KBW.2-1225](#)



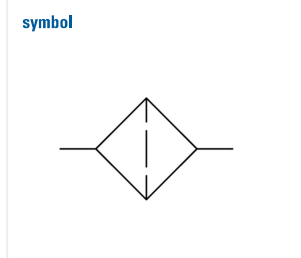
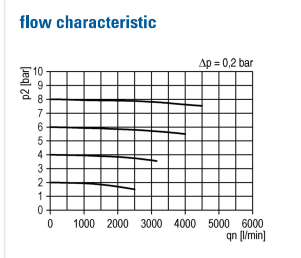
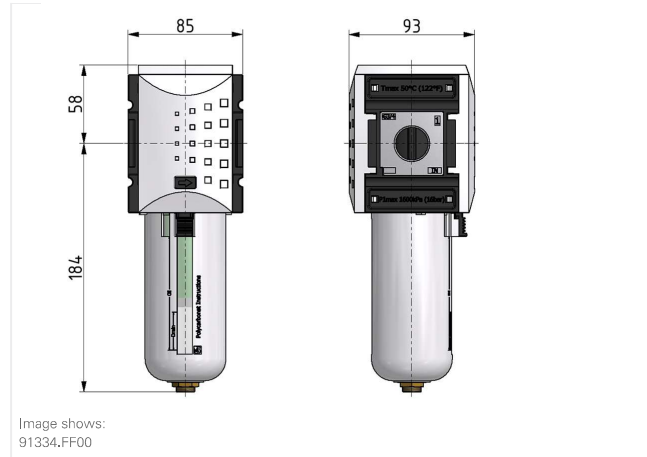
• **coupling kit wall mounting:**
[KKOP.2W](#)

Accessories

Special products

| type | part-number | description | price (pre-tax) |
|------------|-------------|--|-----------------|
| KAFI-238 | 91332.DD00 | Activated carbon filter G3/8 with PC bowl and bowl guard | 121.30 € |
| KAFI-238 H | 91332.DD50 | Activated carbon filter G3/8 with metal bowl | 149.18 € |
| KAFI-212 | 91332.EE00 | Activated carbon filter G1/2 with PC bowl and bowl guard | 121.30 € |
| KAFI-212 H | 91332.EE50 | Activated carbon filter G1/2 with metal bowl | 149.18 € |

Active carbon filter | BG4



technical data

- **description:** active carbon filter
- **medium:** compressed air, neutral gases
- **supply pressure P1 min.:** 0 bar
- **supply pressure P1 max.:** 16 bar
- **temperature range:** 0 - 50°C
- **bowl:** PC with PA bowl guard
- **mounting:** vertical

- accessories**
- **mounting bracket:** [KBW.4-1225](#)
 - **coupling kit wall mounting:** [KKOP.4W](#)

| type | part-number | description | price (pre-tax) |
|------------|-------------|--|-----------------|
| KAFI-434 | 91334.FF00 | Activated carbon filter G3/4 with PC bowl and bowl guard | 161.05 € |
| KAFI-434 H | 91334.FF50 | Activated carbon filter G3/4 with metal bowl | 192.63 € |
| KAFI-41 | 91334.GG00 | Activated carbon filter G1 with PC bowl and bowl guard | 161.05 € |
| KAFI-41 H | 91334.GG50 | Activated carbon filter G1 with metal bowl | 192.63 € |

- Service 3 unit
- Service 2 unit
- Filter regulator
- Filter**
- Pressure regulator
- Lubricator
- System extensions
- Accessories
- Special products

Pressure regulator | BGO



Image shows:
91700.CC00

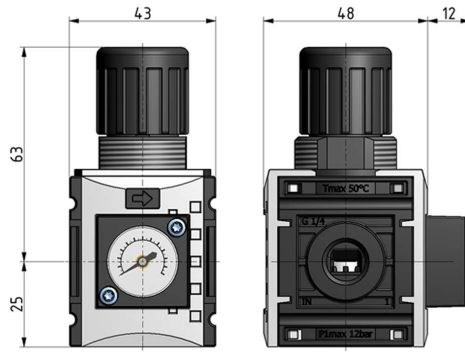
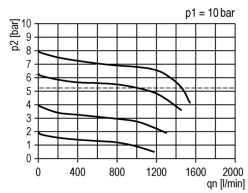
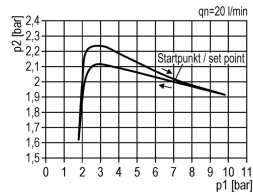


Image shows:
91700.CC00

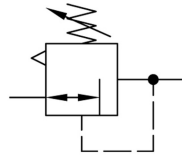
flow characteristic



pressure characteristic



symbol



technical data

- **description:** air line regulator with diaphragm and relieving feature
- **medium:** compressed air, neutral gases
- **supply pressure P1 max.:** 12 bar
- **temperature range:** 0 - 50°C

accessories



- **mounting bracket:**
[KBW.0-1225](#)



- **coupling kit wall mounting:**
[KKOP.0W](#)



- **control panel mounting:**
[KBW.0-1227](#) + C.00-34

- **adapter for pressure gauge:**
KKPS.0-54

| type | part-number | description | price (pre-tax) |
|--------------|-------------|---|-----------------|
| KREG-014/8 G | 91700.CC00 | Pressure regulator G1/4 0,5-8 with integrated gauge | 27.91 € |

Service 3 unit

Service 2 unit

Filter regulator

Filter

Pressure regulator

Lubricator

System extensions

Accessories

Special products