

# Filter regulator | BGO

Service 3 unit

Service 2 unit



Image shows:  
9.2100.00.000

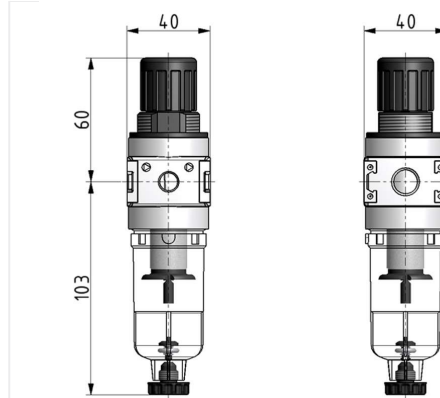
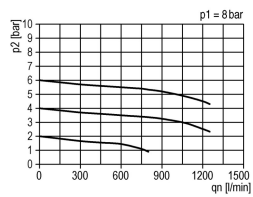


Image shows:  
9.2100.00.000

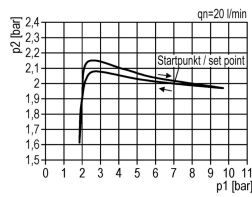
Filter regulator

Filter

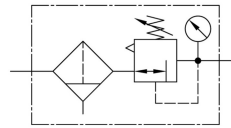
### flow characteristic



### pressure characteristic



### symbol



Pressure regulator

Lubricator

System extensions

Accessories

Special products

### technical data

- **description:** sinter filter centrifugal principle, diaphragm-type pressure with relieving feature
- **medium:** compressed air, neutral gases
- **supply pressure P1 min.:** 1,5 bar
- **supply pressure P1 max.:** 16 bar
- **temperature range:** 0 - 60°C
- **bowl:** PC
- **drain:** HA
- **mounting:** vertical
- **filter element:** 5 µm

### accessories



- coupling kit wall mounting:  
[ZW.00-1](#)



- control panel mounting:  
[MW.30/DR.00-34-2](#)

- lockable setting knob possible

type	part-number	description	price (pre-tax)
C.00 HA4	9.2100.00.000	Filter regulator G1/8 0,5-10 5µm with PC bowl and semi automatic drain	36.44 €
C.00 B HA4	9.2100.00.001	Filter regulator G1/8 0,5-10 5µm with PC bowl, bowl guard and semi automatic drain	42.83 €
C.00 AM10	9.2100.00.004	Filter regulator G1/8 0,5-10 5µm with PC bowl and automatic drain	78.34 €
C.00 M HA4	9.2100.00.006	Filter regulator G1/8 0,5-10 5µm with metal bowl and semi automatic drain	46.19 €
C.01 HA4	9.2101.00.000	Filter regulator G1/4 0,5-10 5µm with PC bowl and semi automatic drain	36.44 €
C.01 B HA4	9.2101.00.001	Filter regulator G1/4 0,5-10 5µm with PC bowl, bowl guard and semi automatic drain	42.83 €
C.01 AM10	9.2101.00.004	Filter regulator G1/4 0,5-10 5µm with PC bowl and automatic drain	78.34 €
C.01 M HA4	9.2101.00.006	Filter regulator G1/4 0,5-10 5µm with metal bowl and semi automatic drain	46.19 €

Service 3 unit

Service 2 unit

Filter regulator

Filter

Pressure regulator

Lubricator

System extensions

Accessories

Special products

## Filter regulator | BG1

Service 3 unit

Service 2 unit



Image shows:  
9.2111.006

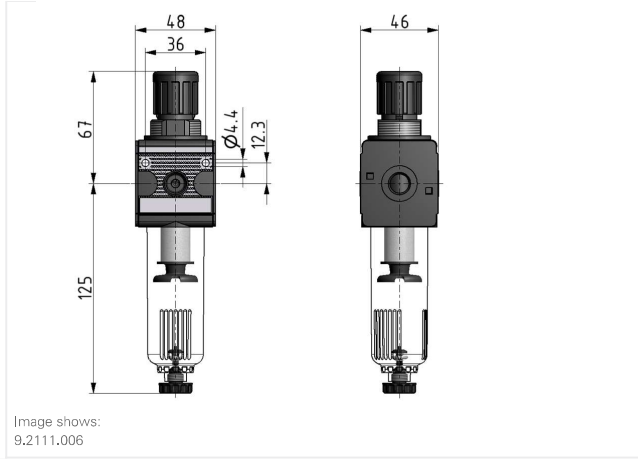
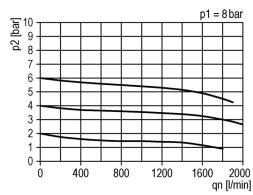


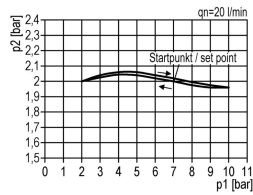
Image shows:  
9.2111.006

Filter regulator  
Filter

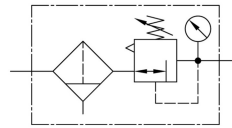
### flow characteristic



### pressure characteristic



### symbol



Pressure regulator

### technical data

- **description:** sinter filter centrifugal principle, diaphragm-type pressure with relieving feature
- **medium:** compressed air, neutral gases
- **supply pressure P1 min.:** 1,5 bar
- **supply pressure P1 max.:** 16 bar
- **temperature range:** 0 - 60°C
- **bowl:** PC
- **drain:** HA
- **mounting:** vertical
- **filter element:** 5 µm

Lubricator

System extensions

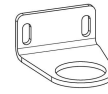
Accessories

Special products

### accessories



- mounting bracket: [ZW.11-1](#)



- control panel mounting: [MW.30/DR.00-34-2](#)

- lockable setting knob possible

type	part-number	description	price (pre-tax)
C.11 HA4	9.2111.006	Filter regulator G1/4 0,5-10 5µm with PC bowl and semi automatic drain	50.88 €
C.11 H HA3	9.2111.009	Filter regulator G1/4 0,5-10 5µm with metal bowl/visual display and semi automatic drain	72.66 €
C.11 HA4 B	9.2111.010	Filter regulator G1/4 0,5-10 5µm with PC bowl, bowl guard and semi automatic drain	62.07 €
C.11 AM10	9.2111.012	Filter regulator G1/4 0,5-10 5µm with PC bowl and automatic drain	91.57 €
C.11 H AM10	9.2111.015	Filter regulator G1/4 0,5-10 5µm with metal bowl/visual display and automatic drain	113.34 €
C.11 AM10 B	9.2111.016	Filter regulator G1/4 0,5-10 5µm with PC bowl, bowl guard and automatic drain	102.76 €
C.12 HA4	9.2112.006	Filter regulator G3/8 0,5-10 5µm with PC bowl and semi automatic drain	50.88 €
C.12 H HA3	9.2112.009	Filter regulator G3/8 0,5-10 5µm with metal bowl/visual display and semi automatic drain	72.66 €
C.12 HA4 B	9.2112.010	Filter regulator G3/8 0,5-10 5µm with PC bowl, bowl guard and semi automatic drain	62.07 €
C.12 AM10	9.2112.012	Filter regulator G3/8 0,5-10 5µm with PC bowl and automatic drain	91.57 €
C.12 H AM10	9.2112.015	Filter regulator G3/8 0,5-10 5µm with metal bowl/visual display and automatic drain	113.34 €
C.12 AM10 B	9.2112.016	Filter regulator G3/8 0,5-10 5µm with PC bowl, bowl guard and automatic drain	102.76 €

Service 3 unit

Service 2 unit

Filter regulator

Filter

Pressure regulator

Lubricator

System extensions

Accessories

Special products



## Filter regulator | BG2

Service 3 unit

Service 2 unit



Image shows:  
9.2122.010

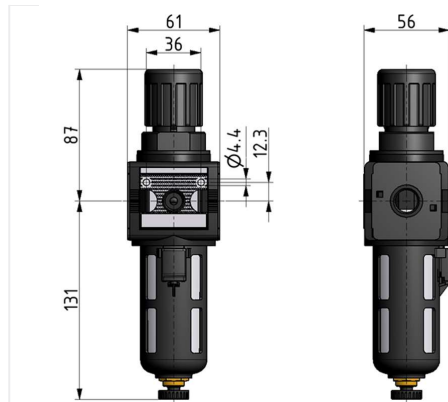
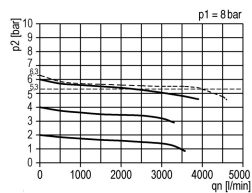


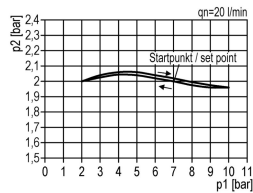
Image shows:  
9.2122.010

Filter regulator  
Filter

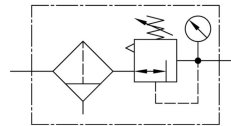
### flow characteristic



### pressure characteristic



### symbol



Pressure regulator  
Lubricator

### technical data

- **description:** sinter filter centrifugal principle, diaphragm-type pressure with relieving feature
- **medium:** compressed air, neutral gases
- **supply pressure P1 min.:** 1,5 bar
- **supply pressure P1 max.:** 16 bar
- **temperature range:** 0 - 60°C
- **bowl:** PC with steel bowl guard
- **drain:** HA3
- **mounting:** vertical
- **filter element:** 5 µm

### accessories



- **mounting bracket:** [ZW.22-1](#)

- **control panel mounting:** control panel nut SM.2

Accessories

Special products

type	part-number	description	price (pre-tax)
C.22 HA3 B	9.2122.010	Filter regulator G3/8 0,5-10 5µm with PC bowl, bowl guard and semi automatic drain <b>discontinued december 2013</b>	65.22 €
C.22 AM10 B	9.2122.016	Filter regulator G3/8 0,5-10 5µm with PC bowl, bowl guard and automatic drain <b>discontinued december 2013</b>	105.91 €

## Filter regulator | BG3



Image shows:  
9.2133.006

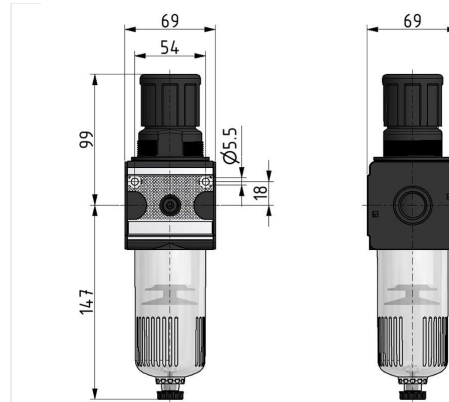


Image shows:  
9.2133.006

Service 3 unit

Service 2 unit

Filter regulator

Filter

Pressure regulator

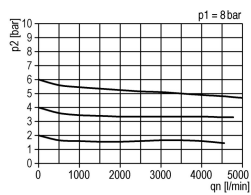
Lubricator

System extensions

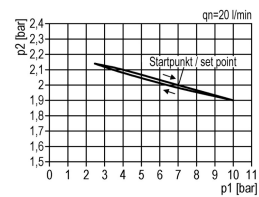
Accessories

Special products

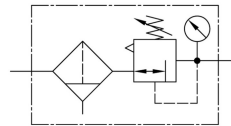
### flow characteristic



### pressure characteristic



### symbol



### technical data

- **description:** sinter filter centrifugal principle, diaphragm-type pressure with relieving feature
- **medium:** compressed air, neutral gases
- **supply pressure P1 min.:** 1,5 bar
- **supply pressure P1 max.:** 16 bar
- **temperature range:** 0 - 60°C
- **body:** PC
- **drain:** HA
- **mounting:** vertical
- **filter element:** 5 µm

### accessories



- mounting bracket: [ZW.33-1](#)



- control panel mounting: [MW.50/C.33-42](#)

- lockable setting knob possible

	type	part-number	description	price (pre-tax)
Service 3 unit	C.33 HA4	9.2133.006	Filter regulator G1/2 0,5-10 5µm with PC bowl and semi automatic drain	91.68 €
	C.33 H HA3	9.2133.009	Filter regulator G1/2 0,5-10 5µm with metal bowl/visual display and semi automatic drain	115.87 €
	C.33 HA4 B	9.2133.010	Filter regulator G1/2 0,5-10 5µm with PC bowl, bowl guard and semi automatic drain	104.62 €
Service 2 unit	C.33 AM10	9.2133.012	Filter regulator G1/2 0,5-10 5µm with PC bowl and automatic drain	132.37 €
	C.33 H AM10	9.2133.015	Filter regulator G1/2 0,5-10 5µm with metal bowl/visual display and automatic drain	156.56 €
	C.33 AM10 B	9.2133.016	Filter regulator G1/2 0,5-10 5µm with PC bowl, bowl guard and automatic drain	145.30 €
Filter regulator	C.34 HA4	9.2134.006	Filter regulator G3/4 0,5-10 5µm with PC bowl and semi automatic drain	91.68 €
	C.34 H HA3	9.2134.009	Filter regulator G3/4 0,5-10 5µm with metal bowl/visual display and semi automatic drain	115.87 €
	C.34 HA4 B	9.2134.010	Filter regulator G3/4 0,5-10 5µm with PC bowl, bowl guard and semi automatic drain	104.62 €
	C.34 AM10	9.2134.012	Filter regulator G3/4 0,5-10 5µm with PC bowl and automatic drain	132.37 €
Filter	C.34 H AM10	9.2134.015	Filter regulator G3/4 0,5-10 5µm with metal bowl/visual display and automatic drain	156.56 €
	C.34 AM10 B	9.2134.016	Filter regulator G3/4 0,5-10 5µm with PC bowl, bowl guard and automatic drain	145.30 €
Pressure regulator				
Lubricator				
System extensions				
Accessories				
Special products				

## Filter regulator | BG5



Image shows:  
9.2154.00.294

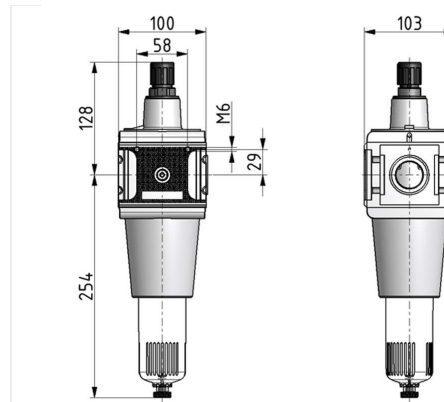


Image shows:  
9.2154.00.294

Service 3 unit

Service 2 unit

Filter regulator

Filter

Pressure regulator

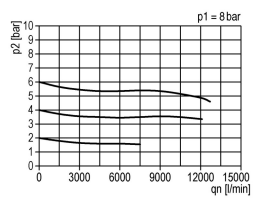
Lubricator

System extensions

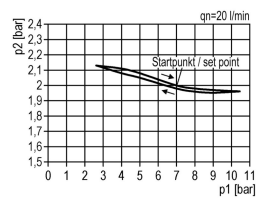
Accessories

Special products

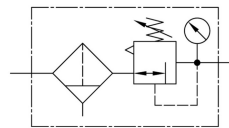
### flow characteristic



### pressure characteristic



### symbol



### technical data

- **description:** sinter filter centrifugal principle, pilot controlled diaphragm-type pressure with relieving feature
- **medium:** compressed air, neutral gases
- **supply pressure P1 min.:** 1,5 bar
- **supply pressure P1 max.:** 16 bar
- **temperature range:** 0 - 60°C
- **bowl:** PC
- **drain:** HA
- **mounting:** vertical
- **filter element:** 40 µm
- **air consumption:** max. 0,5 l/min

### accessories



- mounting bracket: [ZW.55](#)

- lockable setting knob possible



	type	part-number	description	price (pre-tax)
Service 3 unit	C.54 HA4	9.2154.00.294	Filter regulator G3/4 0,5-10 40µm with PC bowl and semi automatic drain	211.05 €
	C.54 H HA3	9.2154.00.297	Filter regulator G3/4 0,5-10 40µm with metal bowl/visual display and semi automatic drain	235.24 €
	C.54 HA4 B	9.2154.00.298	Filter regulator G3/4 0,5-10 40µm with PC bowl, bowl guard and semi automatic drain	223.99 €
Service 2 unit	C.54 AM10	9.2154.00.300	Filter regulator G3/4 0,5-10 40µm with PC bowl and automatic drain	251.74 €
	C.54 H AM10	9.2154.00.303	Filter regulator G3/4 0,5-10 40µm with metal bowl/visual display and automatic drain	275.93 €
	C.54 AM10 B	9.2154.00.304	Filter regulator G3/4 0,5-10 40µm with PC bowl, bowl guard and automatic drain	264.67 €
Filter regulator	C.55 HA4	9.2155.00.294	Filter regulator G1 0,5-10 40µm with PC bowl and semi automatic drain	211.05 €
	C.55 H HA3	9.2155.00.297	Filter regulator G1 0,5-10 40µm with metal bowl/visual display and semi automatic drain	235.24 €
	C.55 HA4 B	9.2155.00.298	Filter regulator G1 0,5-10 40µm with PC bowl, bowl guard and semi automatic drain	223.99 €
Filter	C.55 AM10	9.2155.00.300	Filter regulator G1 0,5-10 40µm with PC bowl and automatic drain	251.74 €
	C.55 H AM10	9.2155.00.303	Filter regulator G1 0,5-10 40µm with metal bowl/visual display and automatic drain	275.93 €
	C.55 AM10 B	9.2155.00.304	Filter regulator G1 0,5-10 40µm with PC bowl, bowl guard and automatic drain	264.67 €
Pressure regulator				
Lubricator				
System extensions				
Accessories				
Special products				