

Service 3 unit | BG1

Service 3 unit

Service 2 unit

Filter regulator

Filter

Pressure regulator

Lubricator

System extensions

Accessories

Special products



Image shows:
9.3011.00.005.0V

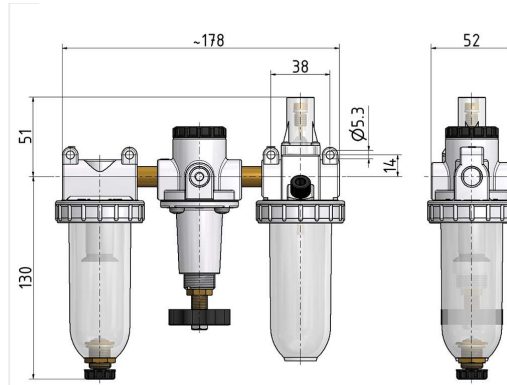
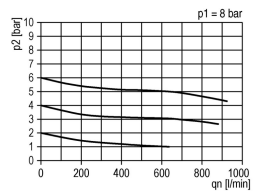
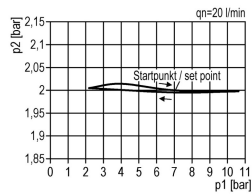


Image shows:
9.3011.00.005.0V

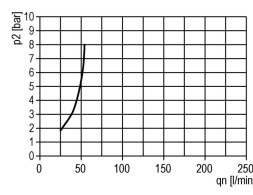
flow characteristic



pressure characteristic



lubricator operating limit



symbol



technical data

- **description:** sinter filter centrifugal principle, diaphragm-type pressure with relieving feature, proportional oiler
- **medium:** compressed air, neutral gases
- **supply pressure P1 min.:** 1,5 bar
- **supply pressure P1 max.:** 16 bar
- **temperature range:** 0 - 60°C
- **bowl:** PC
- **drain:** HA3
- **mounting:** vertical
- **filter element:** 5 µm
- **bowl volume lubricator:** 40 cm³
- **oil metering qv=1.000l/min:** 1 - 2 drops/min
- **oil type:** CL 32 DIN 51517 - ISO VG 32

accessories



- mounting bracket: [BW.10](#)

- control panel mounting: nut DR.11-7

type	part-number	description	price (pre-tax)
FRO.11 HA3	9.3011.00.005.0V	Service 3 unit G1/4 0,5-10 5µm with PC bowl and semi automatic drain	106.01 €
FRO.11 M HA3	9.3011.00.007.0V	Service 3 unit G1/4 0,5-10 5µm with metal bowl and semi automatic drain	113.51 €
FRO.11 HA3 B	9.3011.00.008.0V	Service 3 unit G1/4 0,5-10 5µm with PC bowl, bowl guard and semi automatic drain	130.82 €
FRO.11 AM10	9.3011.00.010.0V	Service 3 unit G1/4 0,5-10 5µm with PC bowl and automatic drain	146.70 €
FRO.11 M AM10	9.3011.00.012.0V	Service 3 unit G1/4 0,5-10 5µm with metal bowl and automatic drain	154.20 €
FRO.11 AM10 B	9.3011.00.013.0V	Service 3 unit G1/4 0,5-10 5µm with PC bowl, bowl guard and automatic drain	171.51 €
FRO.12 HA3	9.3012.00.005.0V	Service 3 unit G3/8 0,5-10 5µm with PC bowl and semi automatic drain	106.57 €
FRO.12 M HA3	9.3012.00.007.0V	Service 3 unit G3/8 0,5-10 5µm with metal bowl and semi automatic drain	114.07 €
FRO.12 HA3 B	9.3012.00.008.0V	Service 3 unit G3/8 0,5-10 5µm with PC bowl, bowl guard and semi automatic drain	131.38 €
FRO.12 AM10	9.3012.00.010.0V	Service 3 unit G3/8 0,5-10 5µm with PC bowl and automatic drain	147.26 €
FRO.12 M AM10	9.3012.00.012.0V	Service 3 unit G3/8 0,5-10 5µm with metal bowl and automatic drain	154.76 €
FRO.12 AM10 B	9.3012.00.013.0V	Service 3 unit G3/8 0,5-10 5µm with PC bowl, bowl guard and automatic drain	172.07 €

Service 3 unit

Service 2 unit

Filter regulator

Filter

Pressure regulator

Lubricator

System extensions

Accessories

Special products

Service 3 unit | BG2

Service 3 unit

Service 2 unit

Filter regulator

Filter

Pressure regulator

Lubricator

System extensions

Accessories

Special products



Image shows:
9.3022.00.125.0V

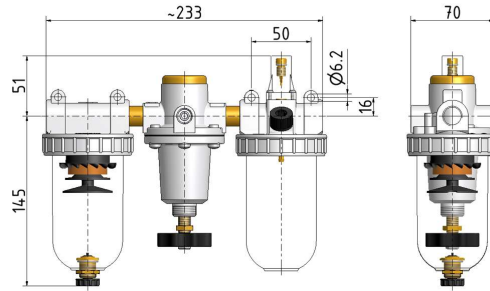
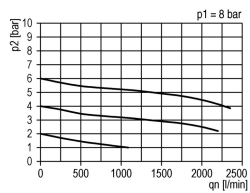
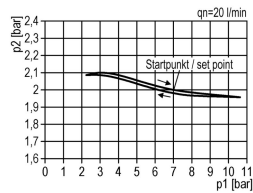


Image shows:
9.3022.00.125.0V

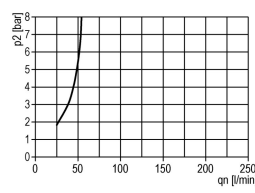
flow characteristic



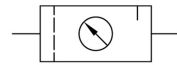
pressure characteristic



lubricator operating limit



symbol



technical data

- **description:** sinter filter centrifugal principle, diaphragm-type pressure with relieving feature, proportional oiler
- **medium:** compressed air, neutral gases
- **supply pressure P1 min.:** 1,5 bar
- **supply pressure P1 max.:** 16 bar
- **temperature range:** 0 - 60°C
- **bowl:** PC
- **drain:** HA3
- **mounting:** vertical
- **filter element:** 40 µm
- **bowl volume lubricator:** 110 cm³
- **oil metering qv=1.000l/min:** 1 - 2 drops/min
- **oil type:** CL 32 DIN 51517 - ISO VG 32

accessories



- **mounting bracket:** [BW.20](#)

- **control panel mounting:** nut DR.11-7

type	part-number	description	price (pre-tax)
FRO.22 HA3	9.3022.00.125.0V	Service 3 unit G3/8 0,5-10 40µm with PC bowl and semi automatic drain	159.55 €
FRO.22 M HA3	9.3022.00.127.0V	Service 3 unit G3/8 0,5-10 40µm with metal bowl and semi automatic drain	168.98 €
FRO.22 HA3 B	9.3022.00.128.0V	Service 3 unit G3/8 0,5-10 40µm with PC bowl, bowl guard and semi automatic drain	192.31 €
FRO.22 AM10	9.3022.00.130.0V	Service 3 unit G3/8 0,5-10 40µm with PC bowl and automatic drain	200.24 €
FRO.22 M AM10	9.3022.00.132.0V	Service 3 unit G3/8 0,5-10 40µm with metal bowl and automatic drain	209.67 €
FRO.22 AM10 B	9.3022.00.133.0V	Service 3 unit G3/8 0,5-10 40µm with PC bowl, bowl guard and automatic drain	233.00 €
FRO.23 HA3	9.3023.00.125.0V	Service 3 unit G1/2 0,5-10 40µm with PC bowl and semi automatic drain	173.49 €
FRO.23 M HA3	9.3023.00.127.0V	Service 3 unit G1/2 0,5-10 40µm with metal bowl and semi automatic drain	182.93 €
FRO.23 HA3 B	9.3023.00.128.0V	Service 3 unit G1/2 0,5-10 40µm with PC bowl, bowl guard and semi automatic drain	206.25 €
FRO.23 AM10	9.3023.00.130.0V	Service 3 unit G1/2 0,5-10 40µm with PC bowl and automatic drain	214.18 €
FRO.23 M AM10	9.3023.00.132.0V	Service 3 unit G1/2 0,5-10 40µm with metal bowl and automatic drain	223.61 €
FRO.23 AM10 B	9.3023.00.133.0V	Service 3 unit G1/2 0,5-10 40µm with PC bowl, bowl guard and automatic drain	246.94 €

Service 3 unit

Service 2 unit

Filter regulator

Filter

Pressure regulator

Lubricator

System extensions

Accessories

Special products

Service 3 unit | BG3

Service 3 unit

Service 2 unit

Filter regulator

Filter

Pressure regulator

Lubricator

System extensions

Accessories

Special products

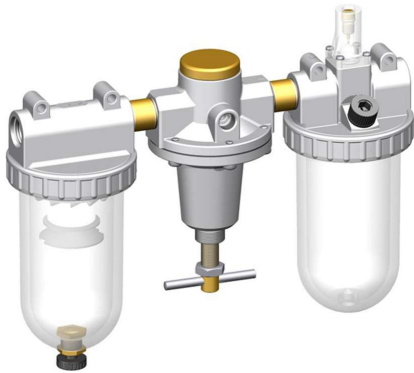


Image shows:
9.3033.00.005.0V

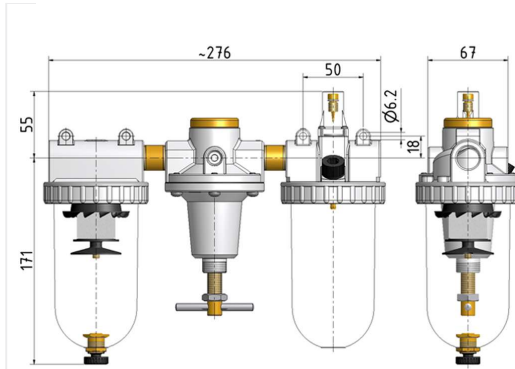
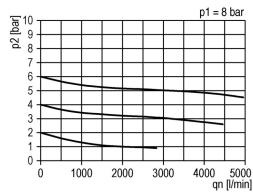
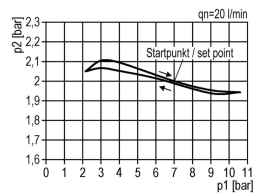


Image shows:
9.3033.00.005.0V

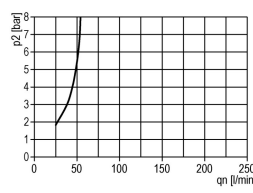
flow characteristic



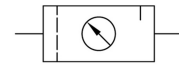
pressure characteristic



lubricator operating limit



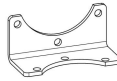
symbol



technical data

- **description:** sinter filter centrifugal principle, diaphragm-type pressure with relieving feature, proportional oiler
- **medium:** compressed air, neutral gases
- **supply pressure P1 min.:** 1,5 bar
- **supply pressure P1 max.:** 16 bar
- **temperature range:** 0 - 60°C
- **bowl:** PC
- **drain:** HA3
- **mounting:** vertical
- **filter element:** 5 µm
- **bowl volume lubricator:** 135 cm³
- **oil metering qv=1.000l/min:** 1 - 2 drops/min
- **oil type:** CL 32 DIN 51517 - ISO VG 32

accessories

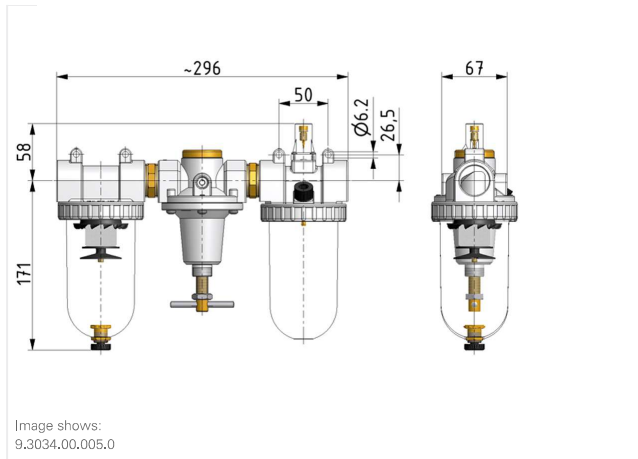
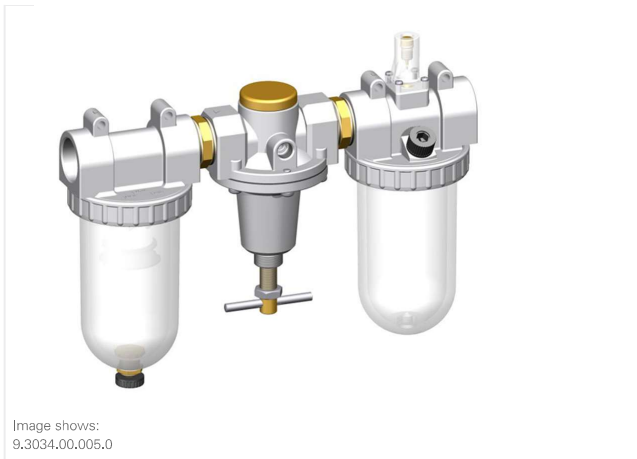


- **mounting bracket:** [BW.30](#)

- **control panel mounting:** nut DR.11-7

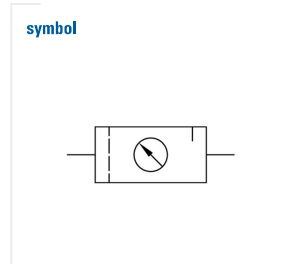
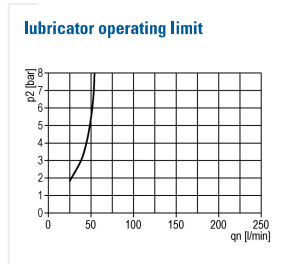
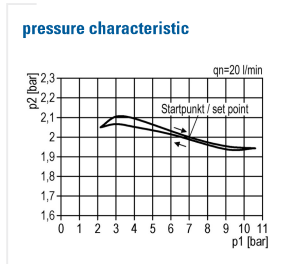
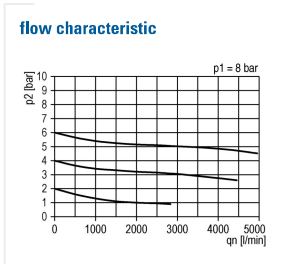
type	part-number	description	price (pre-tax)
FRO.33 HA3	9.3033.00.005.0V	Service 3 unit G1/2 0,5-10 5µm with PC bowl and semi automatic drain	183.38 €
FRO.33 M HA3	9.3033.00.007.0V	Service 3 unit G1/2 0,5-10 5µm with metal bowl and semi automatic drain	193.91 €
FRO.33 HA3 B	9.3033.00.008.0V	Service 3 unit G1/2 0,5-10 5µm with PC bowl, bowl guard and semi automatic drain	220.87 €
FRO.33 AM10	9.3033.00.010.0V	Service 3 unit G1/2 0,5-10 5µm with PC bowl and automatic drain	224.07 €
FRO.33 M AM10	9.3033.00.012.0V	Service 3 unit G1/2 0,5-10 5µm with metal bowl and automatic drain	234.60 €
FRO.33 AM10 B	9.3033.00.013.0V	Service 3 unit G1/2 0,5-10 5µm with PC bowl, bowl guard and automatic drain	261.56 €

Service 3 unit | BG3



Service 3 unit

Service 2 unit



Filter regulator

Filter

technical data

- **description:** sinter filter centrifugal principle, diaphragm-type pressure with relieving feature, proportional oiler
- **medium:** compressed air, neutral gases
- **supply pressure P1 min.:** 1,5 bar
- **supply pressure P1 max.:** 16 bar
- **temperature range:** 0 - 60°C
- **bowl:** PC
- **drain:** HA3
- **mounting:** vertical
- **filter element:** 5 µm
- **bowl volume lubricator:** 135 cm³
- **oil metering qv=1.000l/min:** 1 - 2 drops/min
- **oil type:** CL 32 DIN 51517 - ISO VG 32

accessories

- **mounting bracket:** [BW.30](#)
- **control panel mounting:** nut DR.11-7

Pressure regulator

Lubricator

System extensions

Accessories

Special products

	type	part-number	description	price (pre-tax)
Service 3 unit	FRO.34 HA3	9.3034.00.005.0	Service 3 unit G3/4 0,5-10 5µm with PC bowl and semi automatic drain	321.71 €
	FRO.34 M HA3	9.3034.00.007.0	Service 3 unit G3/4 0,5-10 5µm with metal bowl and semi automatic drain	332.23 €
	FRO.34 HA3 B	9.3034.00.008.0	Service 3 unit G3/4 0,5-10 5µm with PC bowl, bowl guard and semi automatic drain	359.19 €
	FRO.34 AM10	9.3034.00.010.0	Service 3 unit G3/4 0,5-10 5µm with PC bowl and automatic drain	362.39 €
Service 2 unit	FRO.34 M AM10	9.3034.00.012.0	Service 3 unit G3/4 0,5-10 5µm with metal bowl and automatic drain	372.92 €
	FRO.34 AM10 B	9.3034.00.013.0	Service 3 unit G3/4 0,5-10 5µm with PC bowl, bowl guard and automatic drain	399.88 €
	FRO.35 HA3	9.3035.00.005.0	Service 3 unit G1 0,5-10 5µm with PC bowl and semi automatic drain	301.52 €
	FRO.35 M HA3	9.3035.00.007.0	Service 3 unit G1 0,5-10 5µm with metal bowl and semi automatic drain	312.04 €
	FRO.35 HA3 B	9.3035.00.008.0	Service 3 unit G1 0,5-10 5µm with PC bowl, bowl guard and semi automatic drain	339.00 €
Filter regulator	FRO.35 AM10	9.3035.00.010.0	Service 3 unit G1 0,5-10 5µm with PC bowl and automatic drain	342.21 €
	FRO.35 M AM10	9.3035.00.012.0	Service 3 unit G1 0,5-10 5µm with metal bowl and automatic drain	352.73 €
Filter	FRO.35 AM10 B	9.3035.00.013.0	Service 3 unit G1 0,5-10 5µm with PC bowl, bowl guard and automatic drain	379.69 €
Pressure regulator				
Lubricator				
System extensions				
Accessories				
Special products				

Service 3 unit | BG5

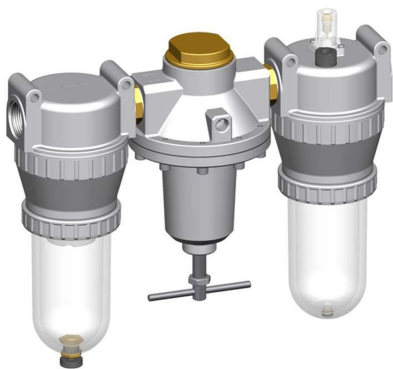


Image shows:
9.3055.00.125.0

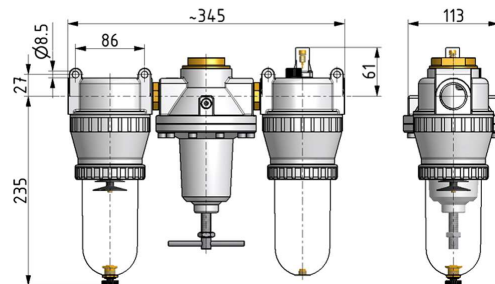
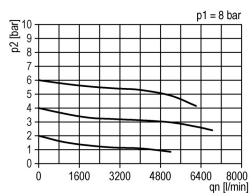


Image shows:
9.3055.00.125.0

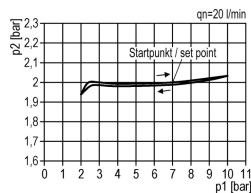
Service 3 unit

Service 2 unit

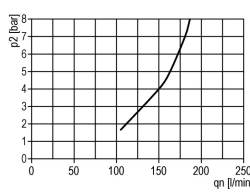
flow characteristic



pressure characteristic



lubricator operating limit



symbol



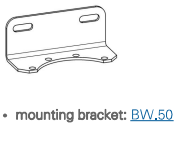
Filter regulator

Filter

technical data

- **description:** sinter filter centrifugal principle, diaphragm-type pressure with relieving feature, proportional oiler
- **medium:** compressed air, neutral gases
- **supply pressure P1 min.:** 1,5 bar
- **supply pressure P1 max.:** 16 bar
- **temperature range:** 0 - 60°C
- **bowl:** PC
- **drain:** HA3
- **mounting:** vertical
- **filter element:** 40 µm
- **bowl volume lubricator:** 550 cm³
- **oil metering qv=1.000l/min:** 1 - 2 drops/min
- **oil type:** CL 32 DIN 51517 - ISO VG 32

accessories



Pressure regulator

Lubricator

System extensions

Accessories

Special products

type	part-number	description	price (pre-tax)
FRO.55 HA3	9.3055.00.125.0	Service 3 unit G1 0,5-10 40µm with PC bowl and semi automatic drain	449.43 €
FRO.55 M HA3	9.3055.00.127.0	Service 3 unit G1 0,5-10 40µm with metal bowl and semi automatic drain	459.95 €
FRO.55 HA3 B	9.3055.00.128.0	Service 3 unit G1 0,5-10 40µm with PC bowl, bowl guard and semi automatic drain	486.92 €
FRO.55 AM10	9.3055.00.130.0	Service 3 unit G1 0,5-10 40µm with PC bowl and automatic drain	490.12 €
FRO.55 M AM10	9.3055.00.132.0	Service 3 unit G1 0,5-10 40µm with metal bowl and automatic drain	500.64 €
FRO.55 AM10 B	9.3055.00.133.0	Service 3 unit G1 0,5-10 40µm with PC bowl, bowl guard and automatic drain	527.60 €

Service 3 unit | BG8

Service 3 unit

Service 2 unit

Filter regulator

Filter

Pressure regulator

Lubricator

System extensions

Accessories

Special products



Image shows:
9.3088.00.125.0

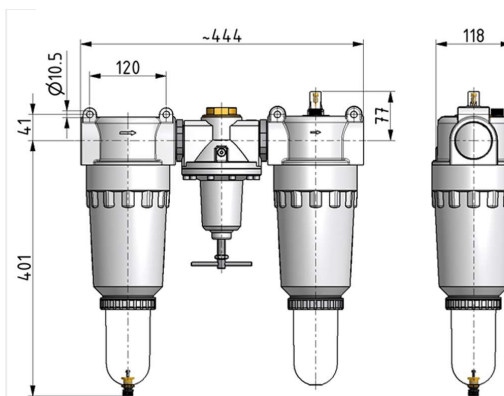
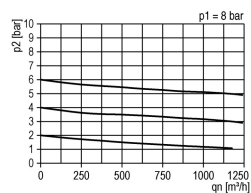
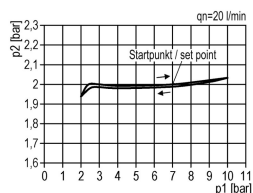


Image shows:
9.3088.00.125.0

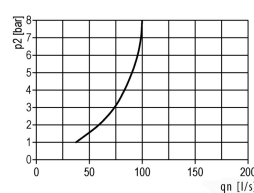
flow characteristic



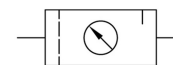
pressure characteristic



lubricator operating limit



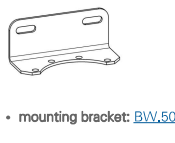
symbol



technical data

- **description:** sinter filter centrifugal principle, diaphragm-type pressure with relieving feature, proportional oiler
- **medium:** compressed air, neutral gases
- **supply pressure P1 min.:** 1,5 bar
- **supply pressure P1 max.:** 16 bar
- **temperature range:** 0 - 60°C
- **bowl:** PC
- **drain:** HA3
- **mounting:** vertical
- **filter element:** 60 µm
- **bowl volume lubricator:** 1700 cm³
- **oil metering qv=1.000l/min:** 1 - 2 drops/min
- **oil type:** CL 32 DIN 51517 - ISO VG 32

accessories



- **mounting bracket:** [BW.50](#)

type	part-number	description	price (pre-tax)
FRO.88 HA3	9.3088.00.125.0	Service 3 unit G2 0,5-10 60µm with PC bowl and semi automatic drain	1152.66 €
FRO.88 M HA3	9.3088.00.127.0	Service 3 unit G2 0,5-10 60µm with metal bowl and semi automatic drain	1169.70 €
FRO.88 HA3 B	9.3088.00.128.0	Service 3 unit G2 0,5-10 60µm with PC bowl, bowl guard and semi automatic drain	1190.14 €
FRO.88 AM10	9.3088.00.130.0	Service 3 unit G2 0,5-10 60µm with PC bowl and automatic drain	1193.34 €
FRO.88 M AM10	9.3088.00.132.0	Service 3 unit G2 0,5-10 60µm with metal bowl and automatic drain	1203.87 €
FRO.88 AM10 B	9.3088.00.133.0	Service 3 unit G2 0,5-10 60µm with PC bowl, bowl guard and automatic drain	1230.83 €

Service 2 unit | BGO



Image shows:
9.3100.00.005.0V

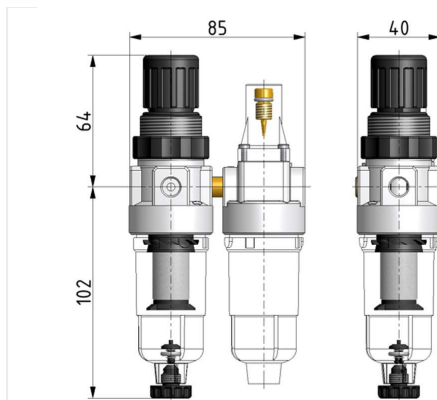
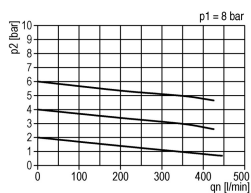


Image shows:
9.3100.00.005.0V

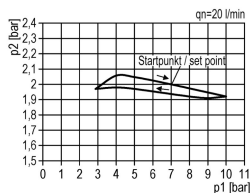
Service 3 unit

Service 2 unit

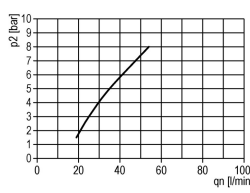
flow characteristic



pressure characteristic



lubricator operating limit



symbol



Filter regulator

Filter

technical data

- **description:** sinter filter centrifugal principle, diaphragm-type pressure with relieving feature, proportional oiler
- **medium:** compressed air, neutral gases
- **supply pressure P1 min.:** 1,5 bar
- **supply pressure P1 max.:** 16 bar
- **temperature range:** 0 - 60°C
- **bowl:** PC
- **drain:** HA
- **mounting:** vertical
- **filter element:** 5 µm
- **bowl volume lubricator:** 17 cm³
- **oil metering qv=1.000l/min:** 1 - 2 drops/min
- **oil type:** CL 32 DIN 51517 - ISO VG 32

accessories



- **control panel mounting:**
[WH.M 30/DR.00-34](#)

Pressure regulator

Lubricator

System extensions

Accessories

Special products

type	part-number	description	price (pre-tax)
FDO.00 HA4	9.3100.00.005.0V	Service 2 unit G1/8 0,5-10 5µm with PC bowl and semi automatic drain	86.51 €
FDO.00 M HA4	9.3100.00.007.0V	Service 2 unit G1/8 0,5-10 5µm with metal bowl and semi automatic drain	98.41 €
FDO.01 HA4	9.3101.00.005.0	Service 2 unit G1/4 0,5-10 5µm with PC bowl and semi automatic drain	86.83 €
FDO.01 M HA4	9.3101.00.007.0V	Service 2 unit G1/4 0,5-10 5µm with metal bowl and semi automatic drain	98.74 €

Service 2 unit | BG1

Service 3 unit

Service 2 unit

Filter regulator

Filter

Pressure regulator

Lubricator

System extensions

Accessories

Special products



Image shows:
9.3111.00.005.0V

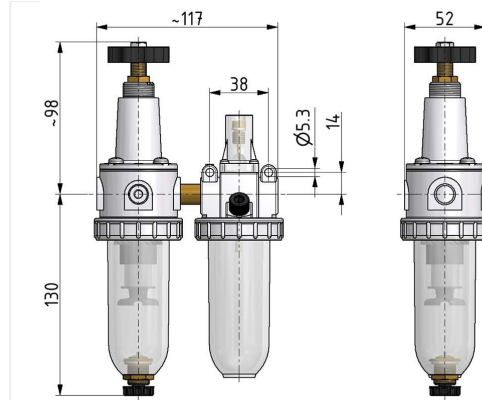
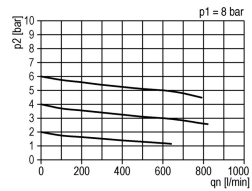
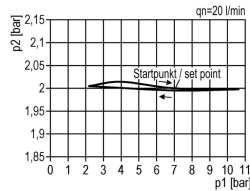


Image shows:
9.3111.00.005.0V

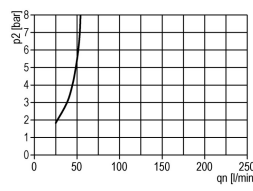
flow characteristic



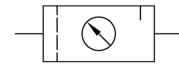
pressure characteristic



lubricator operating limit



symbol



technical data

- **description:** sinter filter centrifugal principle, diaphragm-type pressure with relieving feature, proportional oiler
- **medium:** compressed air, neutral gases
- **supply pressure P1 min.:** 1,5 bar
- **supply pressure P1 max.:** 16 bar
- **temperature range:** 0 - 60°C
- **bowl:** PC
- **drain:** HA3
- **mounting:** vertical
- **filter element:** 5 µm
- **bowl volume lubricator:** 40 cm³
- **oil metering qv=1.000l/min:** 1 - 2 drops/min
- **oil type:** CL 32 DIN 51517 - ISO VG 32

accessories



- **mounting bracket:** [BW.10](#)

- **control panel mounting:** nut DR.11-7

type	part-number	description	price (pre-tax)
FDO.11 HA3	9.3111.00.005.0V	Service 2 unit G1/4 0,5-10 5µm with PC bowl and semi automatic drain	96.59 €
FDO.11 M HA3	9.3111.00.007.0V	Service 2 unit G1/4 0,5-10 5µm with metal bowl and semi automatic drain	104.09 €
FDO.11 HA3 B	9.3111.00.008.0V	Service 2 unit G1/4 0,5-10 5µm with PC bowl, bowl guard and semi automatic drain	121.40 €
FDO.12 HA3	9.3112.00.005.0V	Service 2 unit G3/8 0,5-10 5µm with PC bowl and semi automatic drain	97.30 €
FDO.12 M HA3	9.3112.00.007.0V	Service 2 unit G3/8 0,5-10 5µm with metal bowl and semi automatic drain	104.80 €
FDO.12 HA3 B	9.3112.00.008.0V	Service 2 unit G3/8 0,5-10 5µm with PC bowl, bowl guard and semi automatic drain	122.11 €

Service 2 unit | BG2



Image shows:
9.3122.00.125.0V

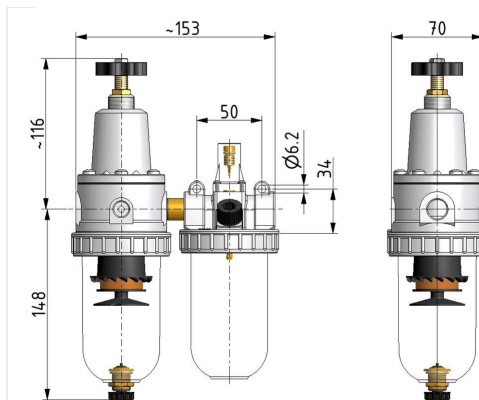
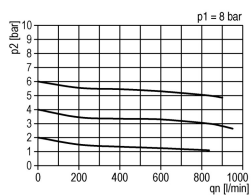


Image shows:
9.3122.00.125.0V

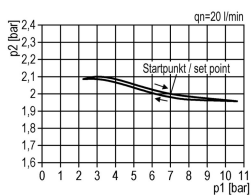
Service 3 unit

Service 2 unit

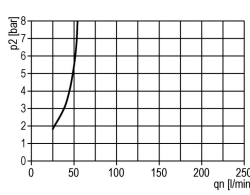
flow characteristic



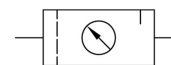
pressure characteristic



lubricator operating limit



symbol



Filter regulator

Filter

technical data

- **description:** sinter filter centrifugal principle, diaphragm-type pressure with relieving feature, proportional oiler
- **medium:** compressed air, neutral gases
- **supply pressure P1 min.:** 1,5 bar
- **supply pressure P1 max.:** 16 bar
- **temperature range:** 0 - 60°C
- **bowl:** PC
- **drain:** HA3
- **mounting:** vertical
- **filter element:** 40 µm
- **bowl volume lubricator:** 110 cm³
- **oil metering qv=1.000l/min:** 1 - 2 drops/min
- **oil type:** CL 32 DIN 51517 - ISO VG 32

accessories



- **mounting bracket:** [BW.20](#)

- **control panel mounting:** nut DR.11-7

Pressure regulator

Lubricator

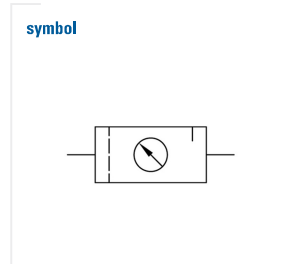
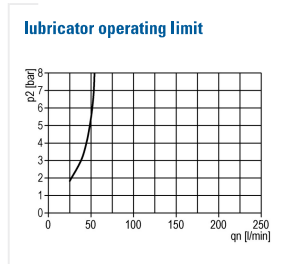
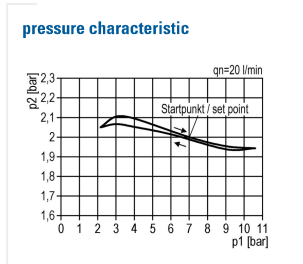
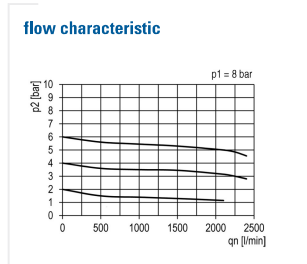
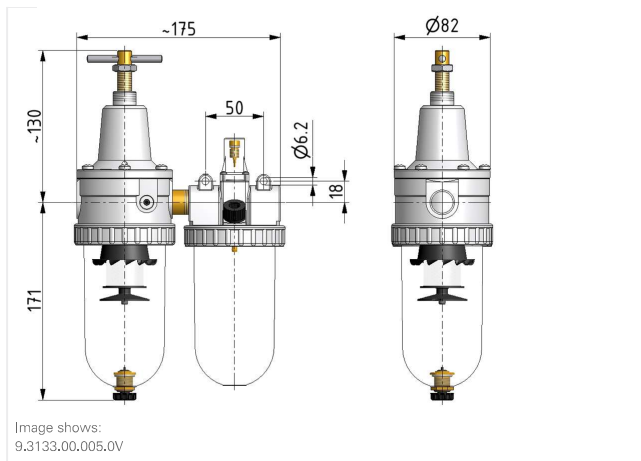
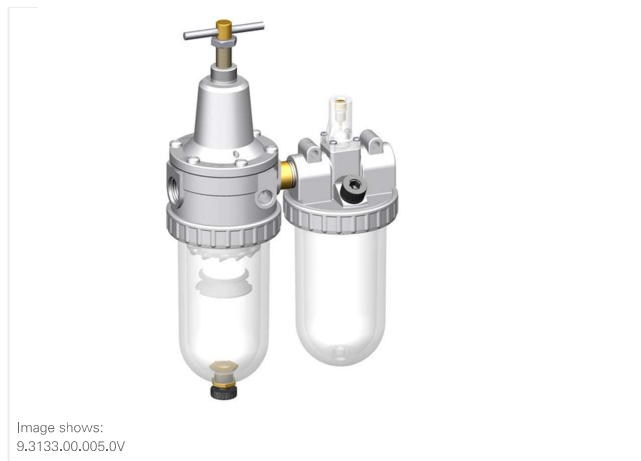
System extensions

Accessories

Special products

	type	part-number	description	price (pre-tax)
Service 3 unit	FDO.22 HA3	9.3122.00.125.0V	Service 2 unit G3/8 0,5-10 40µm with PC bowl and semi automatic drain	144.05 €
	FDO.22 M HA3	9.3122.00.127.0V	Service 2 unit G3/8 0,5-10 40µm with metal bowl and semi automatic drain	153.48 €
	FDO.22 HA3 B	9.3122.00.128.0V	Service 2 unit G3/8 0,5-10 40µm with PC bowl, bowl guard and semi automatic drain	176.81 €
	FDO.22 AM10	9.3122.00.130.0V	Service 2 unit G3/8 0,5-10 40µm with PC bowl and automatic drain	184.73 €
Service 2 unit	FDO.22 M AM10	9.3122.00.132.0V	Service 2 unit G3/8 0,5-10 40µm with metal bowl and automatic drain	194.17 €
	FDO.22 AM10 B	9.3122.00.133.0V	Service 2 unit G3/8 0,5-10 40µm with PC bowl, bowl guard and automatic drain	217.49 €
	FDO.23 HA3	9.3123.00.125.0V	Service 2 unit G1/2 0,5-10 40µm with PC bowl and semi automatic drain	152.33 €
	FDO.23 M HA3	9.3123.00.127.0V	Service 2 unit G1/2 0,5-10 40µm with metal bowl and semi automatic drain	161.76 €
	FDO.23 HA3 B	9.3123.00.128.0V	Service 2 unit G1/2 0,5-10 40µm with PC bowl, bowl guard and semi automatic drain	185.09 €
Filter regulator	FDO.23 AM10	9.3123.00.130.0V	Service 2 unit G1/2 0,5-10 40µm with PC bowl and automatic drain	193.02 €
	FDO.23 M AM10	9.3123.00.132.0V	Service 2 unit G1/2 0,5-10 40µm with metal bowl and automatic drain	202.45 €
Filter	FDO.23 AM10 B	9.3123.00.133.0V	Service 2 unit G1/2 0,5-10 40µm with PC bowl, bowl guard and automatic drain	225.77 €
Pressure regulator				
Lubricator				
System extensions				
Accessories				
Special products				

Service 2 unit | BG3



technical data

- **description:** sinter filter centrifugal principle, diaphragm-type pressure with relieving feature, proportional oiler
- **medium:** compressed air, neutral gases
- **supply pressure P1 min.:** 1,5 bar
- **supply pressure P1 max.:** 16 bar
- **temperature range:** 0 - 60°C
- **bowl:** PC
- **drain:** HA3
- **mounting:** vertical
- **filter element:** 5 µm
- **bowl volume lubricator:** 135 cm³
- **oil metering qv=1.000l/min:** 1 - 2 drops/min
- **oil type:** CL 32 DIN 51517 - ISO VG 32

accessories

- **mounting bracket:** [BW.30](#)
- **control panel mounting:** nut DR.11-7

type	part-number	description	price (pre-tax)
FDO.33 HA3	9.3133.00.005.0V	Service 2 unit G1/2 0,5-10 5µm with PC bowl and semi automatic drain	169.60 €
FDO.33 M HA3	9.3133.00.007.0V	Service 2 unit G1/2 0,5-10 5µm with metal bowl and semi automatic drain	180.12 €
FDO.33 HA3 B	9.3133.00.008.0V	Service 2 unit G1/2 0,5-10 5µm with PC bowl, bowl guard and semi automatic drain	207.08 €
FDO.33 AM10	9.3133.00.010.0V	Service 2 unit G1/2 0,5-10 5µm with PC bowl and automatic drain	210.28 €
FDO.33 M AM10	9.3133.00.012.0V	Service 2 unit G1/2 0,5-10 5µm with metal bowl and automatic drain	220.81 €
FDO.33 AM10 B	9.3133.00.013.0V	Service 2 unit G1/2 0,5-10 5µm with PC bowl, bowl guard and automatic drain	247.77 €

- Service 3 unit
- Service 2 unit
- Filter regulator
- Filter
- Pressure regulator
- Lubricator
- System extensions
- Accessories
- Special products

Service 2 unit | BG5

Service 3 unit

Service 2 unit

Filter regulator

Filter

Pressure regulator

Lubricator

System extensions

Accessories

Special products



Image shows:
9.3154.00.125.0

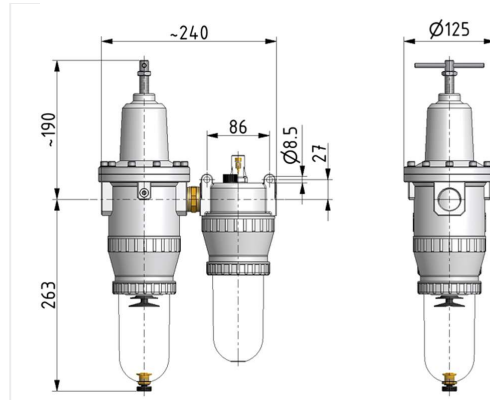
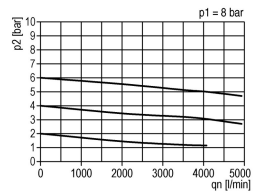
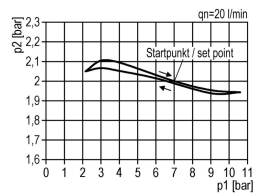


Image shows:
9.3154.00.125.0

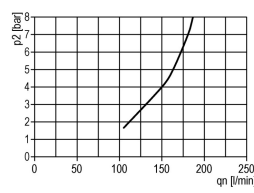
flow characteristic



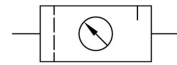
pressure characteristic



lubricator operating limit



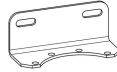
symbol



technical data

- **description:** sinter filter centrifugal principle, diaphragm-type pressure with relieving feature, proportional oiler
- **medium:** compressed air, neutral gases
- **supply pressure P1 min.:** 1,5 bar
- **supply pressure P1 max.:** 16 bar
- **temperature range:** 0 - 60°C
- **bowl:** PC
- **drain:** HA3
- **mounting:** vertical
- **filter element:** 40 µm
- **bowl volume lubricator:** 550 cm³
- **oil metering qv=1.000l/min:** 1 - 2 drops/min
- **oil type:** CL 32 DIN 51517 - ISO VG 32

accessories



- **mounting bracket:** [BW.50](#)

type	part-number	description	price (pre-tax)
FDO.54 HA3	9.3154.00.125.0	Service 2 unit G3/4 0,5-10 40µm with PC bowl and semi automatic drain	402.64 €
FDO.54 M HA3	9.3154.00.127.0	Service 2 unit G3/4 0,5-10 40µm with metal bowl and semi automatic drain	413.17 €
FDO.54 HA3 B	9.3154.00.128.0	Service 2 unit G3/4 0,5-10 40µm with PC bowl, bowl guard and semi automatic drain	440.13 €
FDO.54 AM10	9.3154.00.130.0	Service 2 unit G3/4 0,5-10 40µm with PC bowl and automatic drain	443.33 €
FDO.54 M AM10	9.3154.00.132.0	Service 2 unit G3/4 0,5-10 40µm with metal bowl and automatic drain	453.86 €
FDO.54 AM10 B	9.3154.00.133.0	Service 2 unit G3/4 0,5-10 40µm with PC bowl, bowl guard and automatic drain	480.82 €
FDO.55 HA3	9.3155.00.125.0	Service 2 unit G1 0,5-10 40µm with PC bowl and semi automatic drain	382.46 €
FDO.55 M HA3	9.3155.00.127.0	Service 2 unit G1 0,5-10 40µm with metal bowl and semi automatic drain	392.98 €
FDO.55 HA3 B	9.3155.00.128.0	Service 2 unit G1 0,5-10 40µm with PC bowl, bowl guard and semi automatic drain	419.94 €
FDO.55 AM10	9.3155.00.130.0	Service 2 unit G1 0,5-10 40µm with PC bowl and automatic drain	423.14 €
FDO.55 M AM10	9.3155.00.132.0	Service 2 unit G1 0,5-10 40µm with metal bowl and automatic drain	433.67 €
FDO.55 AM10 B	9.3155.00.133.0	Service 2 unit G1 0,5-10 40µm with PC bowl, bowl guard and automatic drain	460.63 €

Service 3 unit

Service 2 unit

Filter regulator

Filter

Pressure regulator

Lubricator

System extensions

Accessories

Special products