

## Service 3 unit | BGO

- Service 3 unit
- Service 2 unit
- Filter regulator
- Filter
- Pressure regulator
- Lubricator
- System extensions
- Accessories
- Special products



Image shows:  
92700.CC00

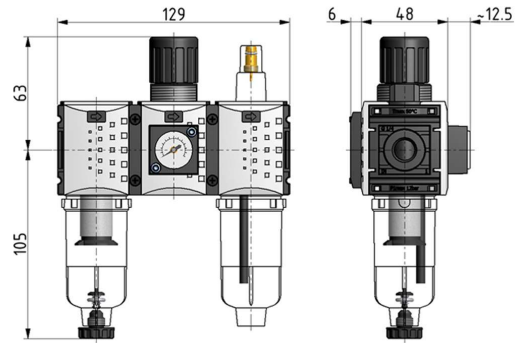
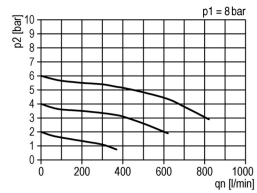
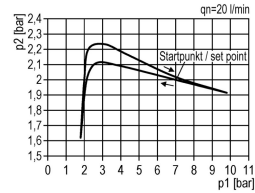


Image shows:  
92700.CC00

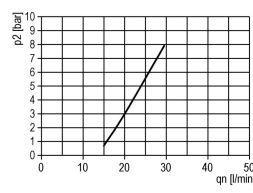
### flow characteristic



### pressure characteristic



### lubricator operating limit



### symbol



### technical data

- **description:** sinter filter centrifugal principle, diaphragm-type pressure with relieving feature, micro mist lubricator
- **medium:** compressed air, neutral gases
- **supply pressure P1 min.:** 1,5 bar
- **supply pressure P1 max.:** 12 bar
- **temperature range:** 0 - 50°C
- **bowl:** PC
- **drain:** HA
- **mounting:** vertical
- **filter element:** 5 µm
- **bowl volume lubricator:** 35 cm<sup>3</sup>
- **oil metering qv=1.000l/min:** 10 - 20 drops/min
- **oil type:** CL 32 DIN 51517 - ISO VG 32

### accessories

- **mounting bracket:**  
[KBW.0-1225](#)
- **coupling kit wall mounting:**  
[KKOP.0W](#)
- **control panel mounting:**  
[KBW.0-1227](#) + C.00-34
- **adapter for pressure gauge:**  
KKPS.0-54

type	part-number	description	price (pre-tax)
KS3U-014/8 G	92700.CC00	Service 3 unit G1/4 0,5-8 5µm with PC bowl, semi automatic drain and integrated gauge	68.35 €
KS3U-014/8 AM G	92700.CC01	Service 3 unit G1/4 0,5-8 5µm with PC bowl, automatic drain and integrated gauge	106.80 €
KS3U-014/8 M G	92700.CC50	Service 3 unit G1/4 0,5-8 5µm with metal bowl, semi automatic drain and integrated gauge	82.63 €
KS3U-014/8 M AMG	92700.CC51	Service 3 unit G1/4 0,5-8 5µm with metal bowl, automatic drain and integrated gauge	119.28 €

## Service 3 unit | BG1



Image shows:  
92701.CC00

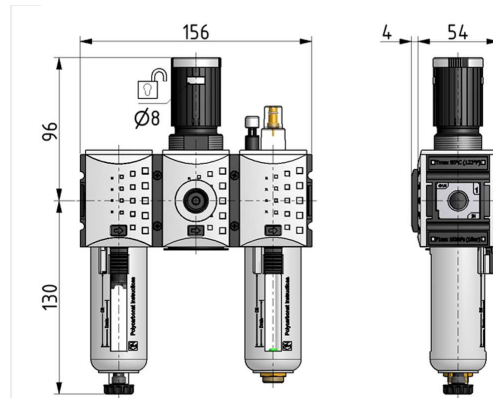
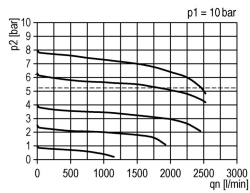


Image shows:  
92701.CC00

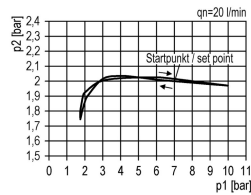
Service 3 unit

Service 2 unit

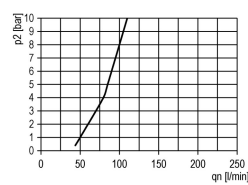
### flow characteristic



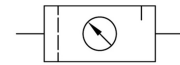
### pressure characteristic



### lubricator operating limit



### symbol



Filter regulator

Filter

### technical data

- **description:** sinter filter centrifugal principle, diaphragm-type pressure with relieving feature, lubricator with automatic oil filling
- **medium:** compressed air, neutral gases
- **supply pressure P1 min.:** 1,5 bar
- **supply pressure P1 max.:** 16 bar
- **temperature range:** 0 - 50°C
- **bowl:** PC with PA bowl guard
- **drain:** HA
- **locking:** lockable setting knob
- **mounting:** vertical
- **filter element:** 5 µm
- **bowl volume lubricator:** 40 cm<sup>3</sup>
- **oil metering qv=1.000l/min:** 1 - 2 drops/min
- **oil type:** CL 32 DIN 51517 - ISO VG 32

### accessories



- **mounting bracket:**  
[KBW.1-1225](#)



- **coupling kit wall mounting:**  
[KKOP.1W](#)



- **control panel mounting:**  
[KBW.1-1227](#) + SM.1

- **rotary lock:** VH.31 without key or VH.32 with key

Pressure regulator

Lubricator

System extensions

Accessories

Special products

	type	part-number	description	price (pre-tax)
Service 3 unit	KS3U-114/8	92701.CC00	Service 3 unit G1/4 0,5-8 5µm with PC bowl, bowl guard and semi automatic drain	90.15 €
	KS3U-114/8 AM	92701.CC01	Service 3 unit G1/4 0,5-8 5µm with PC bowl, bowl guard and automatic drain	130.85 €
	KS3U-114/8 H	92701.CC50	Service 3 unit G1/4 0,5-8 5µm with metal bowl and semi automatic drain	136.68 €
	KS3U-114/8 H AM	92701.CC51	Service 3 unit G1/4 0,5-8 5µm with metal bowl and automatic drain	177.38 €
Service 2 unit	KS3U-138/8	92701.DD00	Service 3 unit G3/8 0,5-8 5µm with PC bowl, bowl guard and semi automatic drain	90.15 €
	KS3U-138/8 AM	92701.DD01	Service 3 unit G3/8 0,5-8 5µm with PC bowl, bowl guard and automatic drain	130.85 €
	KS3U-138/8 H	92701.DD50	Service 3 unit G3/8 0,5-8 5µm with metal bowl and semi automatic drain	136.68 €
	KS3U-138/8 H AM	92701.DD51	Service 3 unit G3/8 0,5-8 5µm with metal bowl and automatic drain	177.38 €
Filter regulator				
Filter				
Pressure regulator				
Lubricator				
System extensions				
Accessories				
Special products				

## Service 3 unit | BG2



Image shows:  
92702.DD00

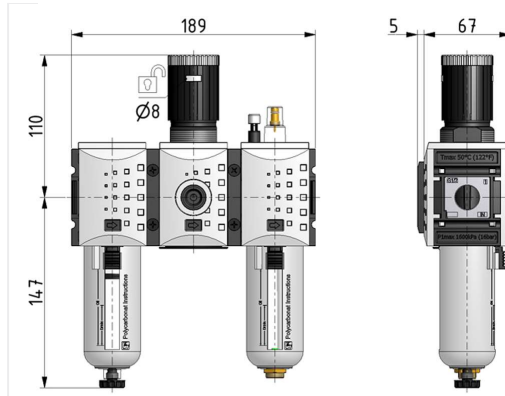
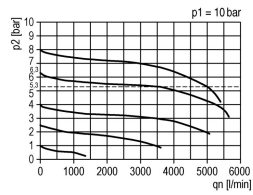


Image shows:  
92702.DD00

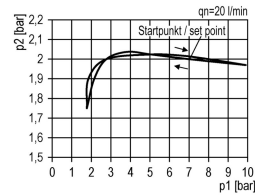
Service 3 unit

Service 2 unit

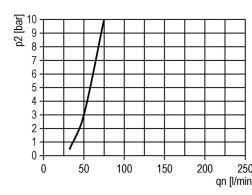
### flow characteristic



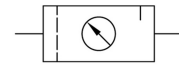
### pressure characteristic



### lubricator operating limit



### symbol



Filter regulator

Filter

### technical data

- **description:** sinter filter centrifugal principle, diaphragm-type pressure with relieving feature, lubricator with automatic oil filling
- **medium:** compressed air, neutral gases
- **supply pressure P1 min.:** 1,5 bar
- **supply pressure P1 max.:** 16 bar
- **temperature range:** 0 - 50°C
- **bowl:** PC with PA bowl guard
- **drain:** HA
- **locking:** lockable setting knob
- **mounting:** vertical
- **filter element:** 5 µm
- **bowl volume lubricator:** 80 cm<sup>3</sup>
- **oil metering qv=1.000l/min:** 1 - 2 drops/min
- **oil type:** CL 32 DIN 51517 - ISO VG 32

### accessories



- **mounting bracket:**  
[KBW.2-1225](#)



- **coupling kit wall mounting:**  
[KKOP.2W](#)



- **control panel mounting:**  
[KBW.2-1227](#) + SM.2

- **rotary lock:** VH.31 without key or VH.32 with key

Pressure regulator

Lubricator

System extensions

Accessories

Special products

	type	part-number	description	price (pre-tax)
Service 3 unit	KS3U-238/8	92702.DD00	Service 3 unit G3/8 0,5-8 5µm with PC bowl, bowl guard and semi automatic drain	149.12 €
	KS3U-238/8 AM	92702.DD01	Service 3 unit G3/8 0,5-8 5µm with PC bowl, bowl guard and automatic drain	189.81 €
	KS3U-238/8 H	92702.DD50	Service 3 unit G3/8 0,5-8 5µm with metal bowl and semi automatic drain	204.23 €
	KS3U-238/8 H AM	92702.DD51	Service 3 unit G3/8 0,5-8 5µm with metal bowl and automatic drain	244.92 €
Service 2 unit	KS3U-212/8	92702.EE00	Service 3 unit G1/2 0,5-8 5µm with PC bowl, bowl guard and semi automatic drain	149.12 €
	KS3U-212/8 AM	92702.EE01	Service 3 unit G1/2 0,5-8 5µm with PC bowl, bowl guard and automatic drain	189.81 €
	KS3U-212/8 H	92702.EE50	Service 3 unit G1/2 0,5-8 5µm with metal bowl and semi automatic drain	204.23 €
	KS3U-212/8 H AM	92702.EE51	Service 3 unit G1/2 0,5-8 5µm with metal bowl and automatic drain	244.92 €
Filter regulator				
Filter				
Pressure regulator				
Lubricator				
System extensions				
Accessories				
Special products				

## Service 3 unit | BG4



Image shows:  
92704.FF00

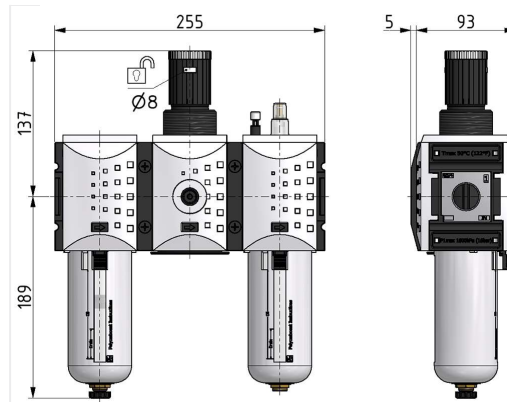
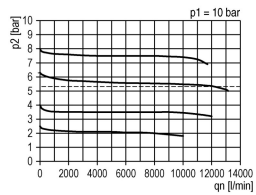


Image shows:  
92704.FF00

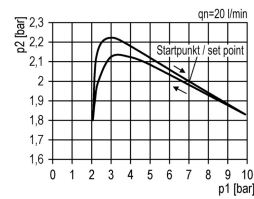
Service 3 unit

Service 2 unit

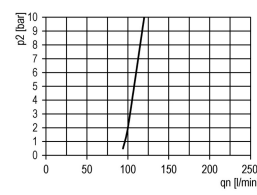
### flow characteristic



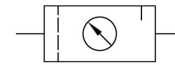
### pressure characteristic



### lubricator operating limit



### symbol



Filter regulator

Filter

### technical data

- **description:** sinter filter centrifugal principle, diaphragm-type pressure with relieving feature, lubricator with automatic oil filling
- **medium:** compressed air, neutral gases
- **supply pressure P1 min.:** 1,5 bar
- **supply pressure P1 max.:** 16 bar
- **temperature range:** 0 - 50°C
- **bowl:** PC with PA bowl guard
- **drain:** HA
- **locking:** lockable setting knob
- **mounting:** vertical
- **filter element:** 5 µm
- **bowl volume lubricator:** 181 cm<sup>3</sup>
- **oil metering qv=1.000l/min:** 1 - 2 drops/min
- **oil type:** CL 32 DIN 51517 - ISO VG 32
- **air consumption:** max. 1,5 l/min

### accessories



- **mounting bracket:**  
[KBW.4-1225](#)



- **coupling kit wall mounting:**  
[KKOP.4W](#)

- **control panel mounting:**  
control panel nut C.33-42

- **rotary lock:** VH.31 without key or VH.32 with key

Pressure regulator

Lubricator

System extensions

Accessories

Special products

	type	part-number	description	price (pre-tax)
Service 3 unit	KS3U-434/8	92704.FF00	Service 3 unit G3/4 0,5-8 5µm with PC bowl, bowl guard and semi automatic drain	316.18 €
	KS3U-434/8 AM	92704.FF01	Service 3 unit G3/4 0,5-8 5µm with PC bowl, bowl guard and automatic drain	356.88 €
	KS3U-434/8 H	92704.FF50	Service 3 unit G3/4 0,5-8 5µm with metal bowl and semi automatic drain	384.13 €
	KS3U-434/8 H AM	92704.FF51	Service 3 unit G3/4 0,5-8 5µm with metal bowl and automatic drain	426.19 €
Service 2 unit	KS3U-41/8	92704.GG00	Service 3 unit G1 0,5-8 5µm with PC bowl, bowl guard and semi automatic drain	316.18 €
	KS3U-41/8 AM	92704.GG01	Service 3 unit G1 0,5-8 5µm with PC bowl, bowl guard and automatic drain	356.88 €
	KS3U-41/8 H	92704.GG50	Service 3 unit G1 0,5-8 5µm with metal bowl and semi automatic drain	384.13 €
	KS3U-41/8 H AM	92704.GG51	Service 3 unit G1 0,5-8 5µm with metal bowl and automatic drain	426.19 €
Filter regulator				
Filter				
Pressure regulator				
Lubricator				
System extensions				
Accessories				
Special products				

## Service 2 unit | BGO



Image shows:  
92800.CC00

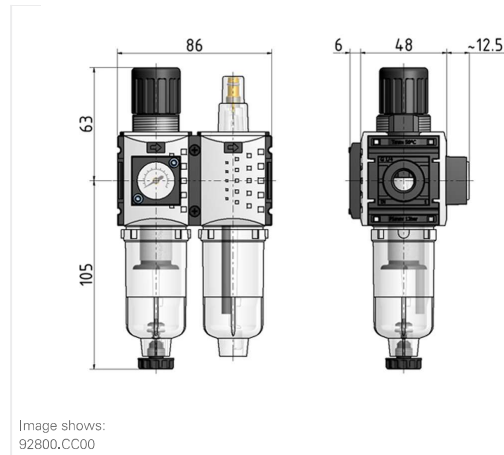


Image shows:  
92800.CC00

Service 3 unit

Service 2 unit

Filter regulator

Filter

Pressure regulator

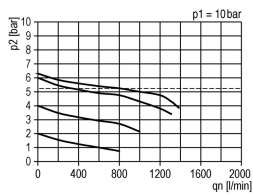
Lubricator

System extensions

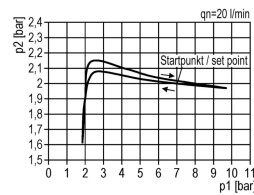
Accessories

Special products

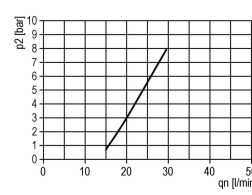
### flow characteristic



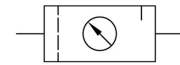
### pressure characteristic



### lubricator operating limit



### symbol



### technical data

- **description:** sinter filter centrifugal principle, diaphragm-type pressure with relieving feature, micro mist lubricator
- **medium:** compressed air, neutral gases
- **supply pressure P1 min.:** 1,5 bar
- **supply pressure P1 max.:** 12 bar
- **temperature range:** 0 - 50°C
- **bowl:** PC
- **drain:** HA
- **mounting:** vertical
- **filter element:** 5 µm
- **bowl volume lubricator:** 35 cm<sup>3</sup>
- **oil metering qv=1.000l/min:** 10 - 20 drops/min
- **oil type:** CL 32 DIN 51517 - ISO VG 32

### accessories



- **mounting bracket:**  
[KBW.0-1225](#)



- **coupling kit wall mounting:**  
[KKOP.0W](#)



- **control panel mounting:**  
[KBW.0-1227](#) + C.00-34

- **adapter for pressure gauge:**  
KKPS.0-54

type	part-number	description	price (pre-tax)
KS2U-014/8 G	92800.CC00	Service 2 unit G1/4 0,5-8 5µm with PC bowl, semi automatic drain and integrated gauge	55.87 €
KS2U-014/8 AM G	92800.CC01	Service 2 unit G1/4 0,5-8 5µm with PC bowl, automatic drain and integrated gauge	92.91 €
KS2U-014/8 M G	92800.CC50	Service 2 unit G1/4 0,5-8 5µm with metal bowl, semi automatic drain and integrated gauge	68.74 €
KS2U-014/8 M AMG	92800.CC51	Service 2 unit G1/4 0,5-8 5µm with metal bowl, automatic drain and integrated gauge	105.39 €



## Service 2 unit | BG1

Service 3 unit

Service 2 unit

Filter regulator

Filter

Pressure regulator

Lubricator

System extensions

Accessories

Special products



Image shows:  
92801.CC00

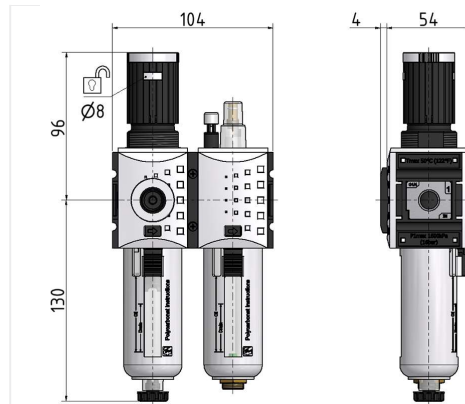
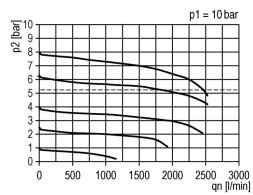
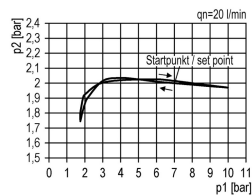


Image shows:  
92801.CC00

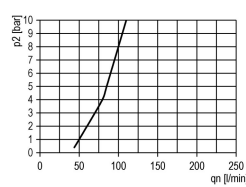
### flow characteristic



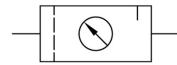
### pressure characteristic



### lubricator operating limit



### symbol



### technical data

- **description:** sinter filter centrifugal principle, diaphragm-type pressure with relieving feature, lubricator with automatic oil filling
- **medium:** compressed air, neutral gases
- **supply pressure P1 min.:** 1,5 bar
- **supply pressure P1 max.:** 16 bar
- **temperature range:** 0 - 50°C
- **bowl:** PC with PA bowl guard
- **drain:** HA
- **locking:** lockable setting knob
- **mounting:** vertical
- **filter element:** 5 µm
- **bowl volume lubricator:** 40 cm<sup>3</sup>
- **oil metering qv=1.000/min:** 1 - 2 drops/min
- **oil type:** CL 32 DIN 51517 - ISO VG 32

### accessories



- **mounting bracket:**  
[KBW.1-1225](#)



- **coupling kit wall mounting:**  
[KKOP.1W](#)



- **control panel mounting:**  
[KBW.1-1227](#) + SM.1

- **rotary lock:** VH.31 without key or VH.32 with key

type	part-number	description	price (pre-tax)
KS2U-114/8	92801.CC00	Service 2 unit G1/4 0,5-8 5µm with PC bowl, bowl guard and semi automatic drain	76.26 €
KS2U-114/8 AM	92801.CC01	Service 2 unit G1/4 0,5-8 5µm with PC bowl, bowl guard and automatic drain	116.96 €
KS2U-114/8 H	92801.CC50	Service 2 unit G1/4 0,5-8 5µm with metal bowl and semi automatic drain	122.79 €
KS2U-114/8 H AM	92801.CC51	Service 2 unit G1/4 0,5-8 5µm with metal bowl and automatic drain	163.49 €
KS2U-138/8	92801.DD00	Service 2 unit G3/8 0,5-8 5µm with PC bowl, bowl guard and semi automatic drain	76.26 €
KS2U-138/8 AM	92801.DD01	Service 2 unit G3/8 0,5-8 5µm with PC bowl, bowl guard and automatic drain	116.96 €
KS2U-138/8 H	92801.DD50	Service 2 unit G3/8 0,5-8 5µm with metal bowl and semi automatic drain	122.79 €
KS2U-138/8 H AM	92801.DD51	Service 2 unit G3/8 0,5-8 5µm with metal bowl and semi automatic drain	163.49 €

Service 3 unit

Service 2 unit

Filter regulator

Filter

Pressure regulator

Lubricator

System extensions

Accessories

Special products

## Service 2 unit | BG2

- Service 3 unit
- Service 2 unit**
- Filter regulator
- Filter
- Pressure regulator
- Lubricator
- System extensions
- Accessories
- Special products



Image shows:  
92802.DD00

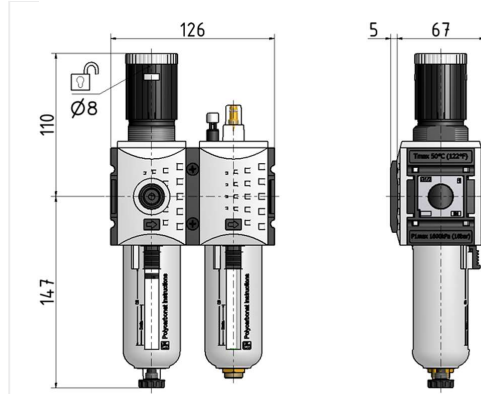
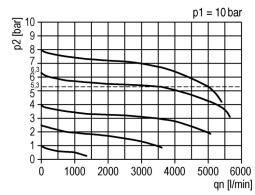
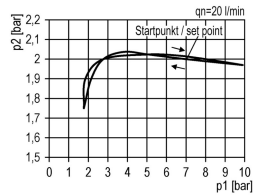


Image shows:  
92802.DD00

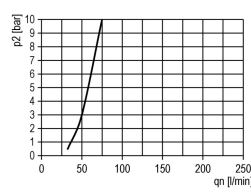
### flow characteristic



### pressure characteristic



### lubricator operating limit



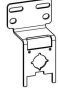
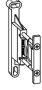

### symbol



### technical data

- **description:** sinter filter centrifugal principle, diaphragm-type pressure with relieving feature, lubricator with automatic oil filling
- **medium:** compressed air, neutral gases
- **supply pressure P1 min.:** 1,5 bar
- **supply pressure P1 max.:** 16 bar
- **temperature range:** 0 - 50°C
- **bowl:** PC with PA bowl guard
- **drain:** HA
- **locking:** lockable setting knob
- **mounting:** vertical
- **filter element:** 5 µm
- **bowl volume lubricator:** 80 cm<sup>3</sup>
- **oil metering qv=1.000/min:** 1 - 2 drops/min
- **oil type:** CL 32 DIN 51517 - ISO VG 32

### accessories

		
<ul style="list-style-type: none"> <li>• <b>mounting bracket:</b> <a href="#">KBW.2-1225</a></li> </ul>	<ul style="list-style-type: none"> <li>• <b>coupling kit wall mounting:</b> <a href="#">KKOP.2W</a></li> </ul>	<ul style="list-style-type: none"> <li>• <b>control panel mounting:</b> <a href="#">KBW.2-1227</a> + SM.2</li> </ul>
<ul style="list-style-type: none"> <li>• <b>rotary lock:</b> VH.31 without key or VH.32 with key</li> </ul>		

type	part-number	description	price (pre-tax)
KS2U-238/8	92802.DD00	Service 2 unit G3/8 0,5-8 5µm with PC bowl, bowl guard and semi automatic drain	137.93 €
KS2U-238/8 AM	92802.DD01	Service 2 unit G3/8 0,5-8 5µm with PC bowl, bowl guard and automatic drain	178.62 €
KS2U-238/8 H	92802.DD50	Service 2 unit G3/8 0,5-8 5µm with metal bowl and semi automatic drain	193.04 €
KS2U-238/8 H AM	92802.DD51	Service 2 unit G3/8 0,5-8 5µm with metal bowl and automatic drain	233.73 €
KS2U-212/8	92802.EE00	Service 2 unit G1/2 0,5-8 5µm with PC bowl, bowl guard and semi automatic drain	137.93 €
KS2U-212/8 AM	92802.EE01	Service 2 unit G1/2 0,5-8 5µm with PC bowl, bowl guard and automatic drain	178.62 €
KS2U-212/8 H	92802.EE50	Service 2 unit G1/2 0,5-8 5µm with metal bowl and semi automatic drain	193.04 €
KS2U-212/8 H AM	92802.EE51	Service 2 unit G1/2 0,5-8 5µm with metal bowl and automatic drain	233.73 €

Service 3 unit

Service 2 unit

Filter regulator

Filter

Pressure regulator

Lubricator

System extensions

Accessories

Special products

## Service 2 unit | BG4

Service 3 unit

Service 2 unit

Filter regulator

Filter

Pressure regulator

Lubricator

System extensions

Accessories

Special products

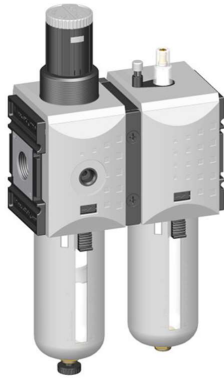


Image shows:  
92804.FF00

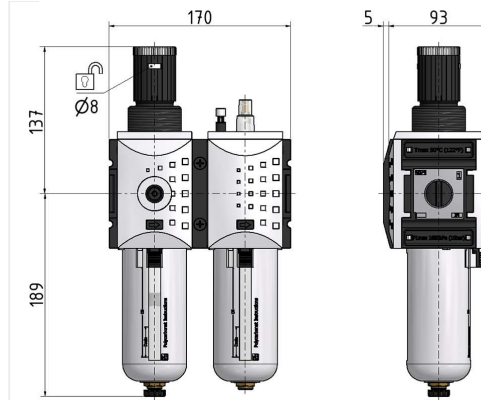
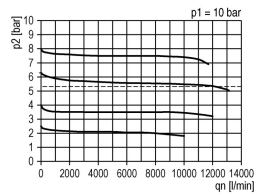
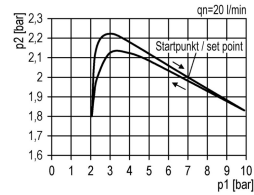


Image shows:  
92804.FF00

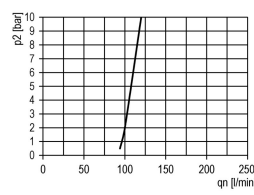
### flow characteristic



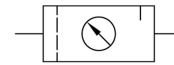
### pressure characteristic



### lubricator operating limit



### symbol



### technical data

- **description:** sinter filter centrifugal principle, diaphragm-type pressure with relieving feature, lubricator with automatic oil filling
- **medium:** compressed air, neutral gases
- **supply pressure P1 min.:** 1,5 bar
- **supply pressure P1 max.:** 16 bar
- **temperature range:** 0 - 50°C
- **bowl:** PC with PA bowl guard
- **drain:** HA
- **locking:** lockable setting knob
- **mounting:** vertical
- **filter element:** 5 µm
- **bowl volume lubricator:** 181 cm<sup>3</sup>
- **oil metering qv=1.000/min:** 1 - 2 drops/min
- **oil type:** CL 32 DIN 51517 - ISO VG 32
- **air consumption:** max. 1,5 l/min

### accessories

- **mounting bracket:** [KBW.4-1225](#)
- **coupling kit wall mounting:** [KKOP.4W](#)
- **control panel mounting:** control panel nut C.33-42
- **rotary lock:** VH.31 without key or VH.32 with key

type	part-number	description	price (pre-tax)
KS2U-434/8	92804.FF00	Service 2 unit G3/4 0,5-8 5µm with PC bowl, bowl guard and semi automatic drain	258.88 €
KS2U-434/8 AM	92804.FF01	Service 2 unit G3/4 0,5-8 5µm with PC bowl, bowl guard and automatic drain	299.57 €
KS2U-434/8 H	92804.FF50	Service 2 unit G3/4 0,5-8 5µm with metal bowl and semi automatic drain	326.83 €
KS2U-434/8 H AM	92804.FF51	Service 2 unit G3/4 0,5-8 5µm with metal bowl and automatic drain	368.89 €
KS2U-41/8	92804.GG00	Service 2 unit G1 0,5-8 5µm with PC bowl, bowl guard and semi automatic drain	258.88 €
KS2U-41/8 AM	92804.GG01	Service 2 unit G1 0,5-8 5µm with PC bowl, bowl guard and automatic drain	299.57 €
KS2U-41/8 H	92804.GG50	Service 2 unit G1 0,5-8 5µm with metal bowl and semi automatic drain	326.83 €
KS2U-41/8 H AM	92804.GG51	Service 2 unit G1 0,5-8 5µm with metal bowl and automatic drain	368.89 €

Service 3 unit

Service 2 unit

Filter regulator

Filter

Pressure regulator

Lubricator

System extensions

Accessories

Special products

# Filter regulator | BGO

Service 3 unit

Service 2 unit



Image shows:  
92100.CC00

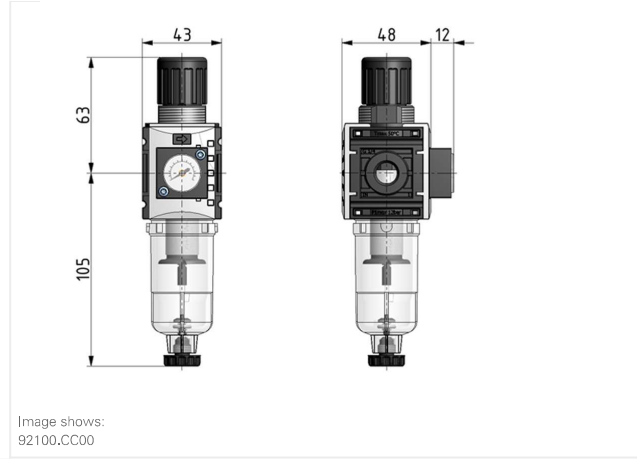
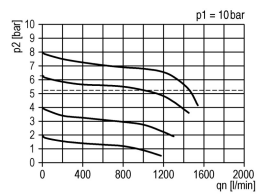


Image shows:  
92100.CC00

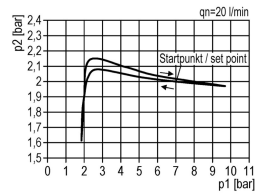
Filter regulator

Filter

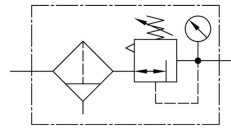
### flow characteristic



### pressure characteristic



### symbol



Pressure regulator

Lubricator

System extensions

### technical data

- **description:** sinter filter centrifugal principle, diaphragm-type pressure with relieving feature
- **medium:** compressed air, neutral gases
- **supply pressure P1 min.:** 1,5 bar
- **supply pressure P1 max.:** 12 bar
- **temperature range:** 0 - 50°C
- **bowl:** PC
- **drain:** HA
- **mounting:** vertical
- **filter element:** 5 µm

### accessories

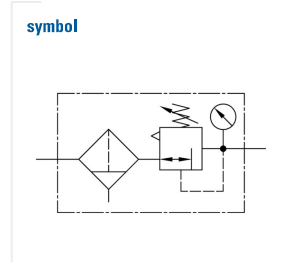
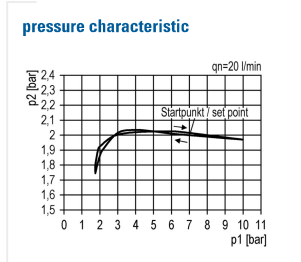
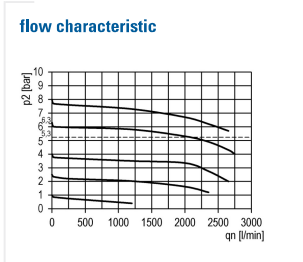
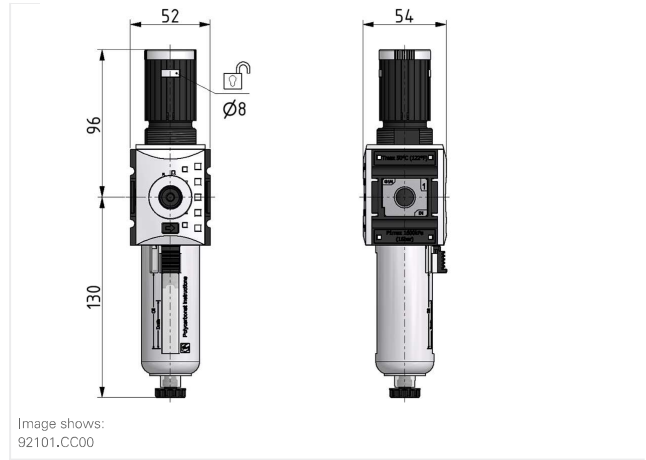
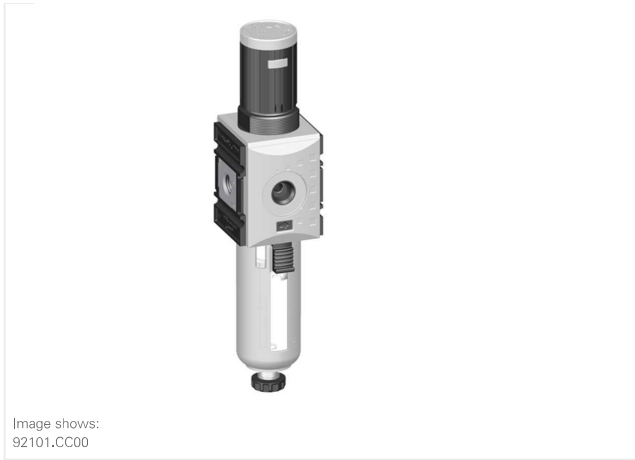
- **mounting bracket:** [KBW.0-1225](#)
- **coupling kit wall mounting:** [KKOP.0W](#)
- **control panel mounting:** [KBW.0-1227](#) + C.00-34
- **adapter for pressure gauge:** KKPS.0-54

Accessories

Special products

type	part-number	description	price (pre-tax)
KFRG-014/8 G	92100.CC00	Filter regulator G1/4 0,5-8 5µm with PC bowl, semi automatic drain and integrated gauge	32.96 €
KFRG-014/8 AM G	92100.CC01	Filter regulator G1/4 0,5-8 5µm with PC bowl, automatic drain and integrated gauge	69.60 €
KFRG-014/8 M G	92100.CC50	Filter regulator G1/4 0,5-8 5µm with metal bowl, semi automatic drain and integrated gauge	41.17 €
KFRG-014/8 M AMG	92100.CC51	Filter regulator G1/4 0,5-8 5µm with metal bowl, automatic drain and integrated gauge	77.73 €

# Filter regulator | BG1



### technical data

- **description:** sinter filter centrifugal principle, diaphragm-type pressure with relieving feature
- **medium:** compressed air, neutral gases
- **supply pressure P1 min.:** 1,5 bar
- **supply pressure P1 max.:** 16 bar
- **temperature range:** 0 - 50°C
- **bowl:** PC with PA bowl guard
- **drain:** HA
- **locking:** lockable setting knob
- **mounting:** vertical
- **filter element:** 5 µm

### accessories

- **mounting bracket:** [KBW.1-1225](#)
- **coupling kit wall mounting:** [KKOP.1W](#)
- **control panel mounting:** [KBW.1-1227](#) + SM.1
- **rotary lock:** VH.31 without key or VH.32 with key

- Service 3 unit
- Service 2 unit
- Filter regulator
- Filter
- Pressure regulator
- Lubricator
- System extensions
- Accessories
- Special products