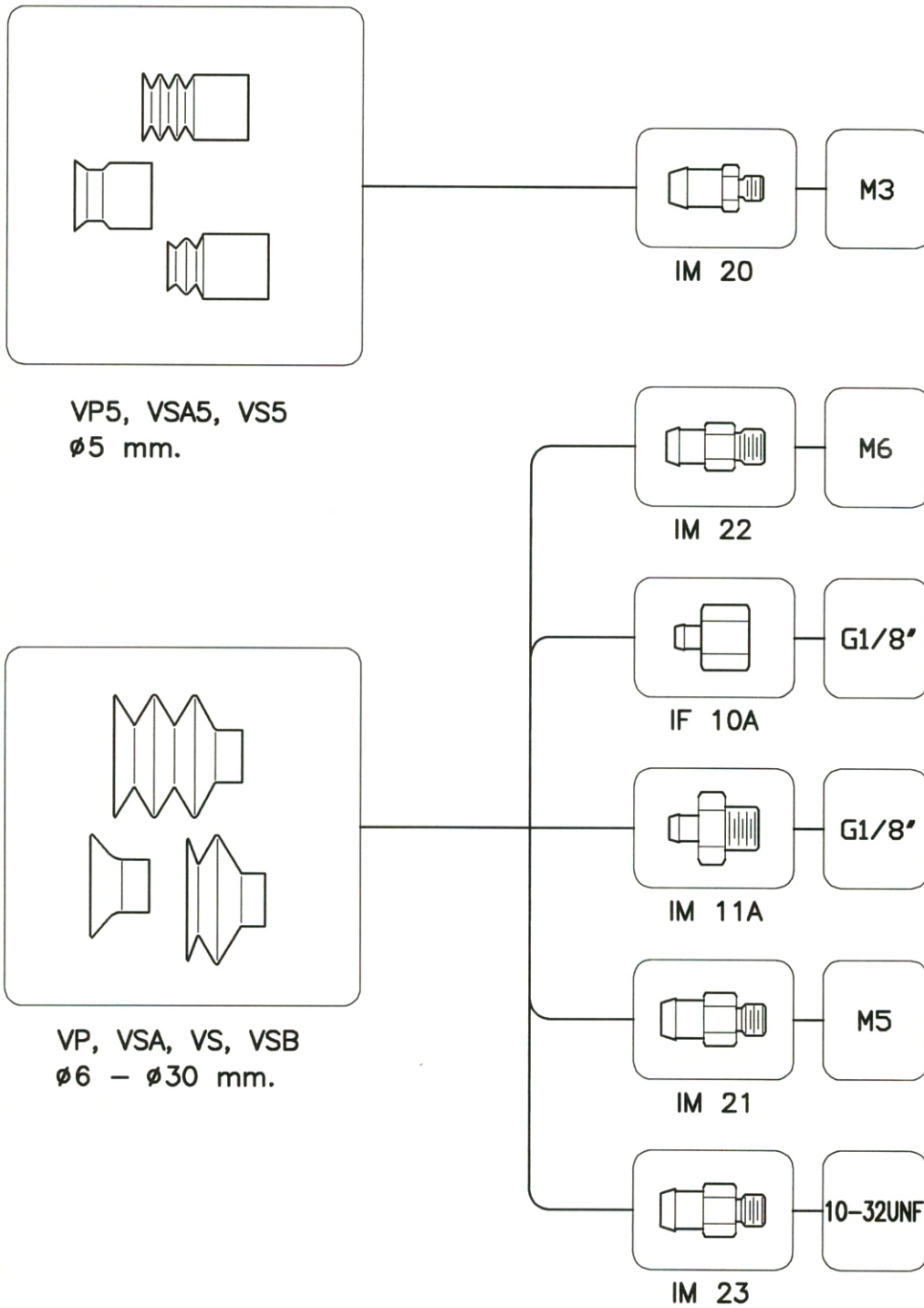


# INSTALLATION DIAGRAM

BIOMEDIC VP,VSA,VS and VSB

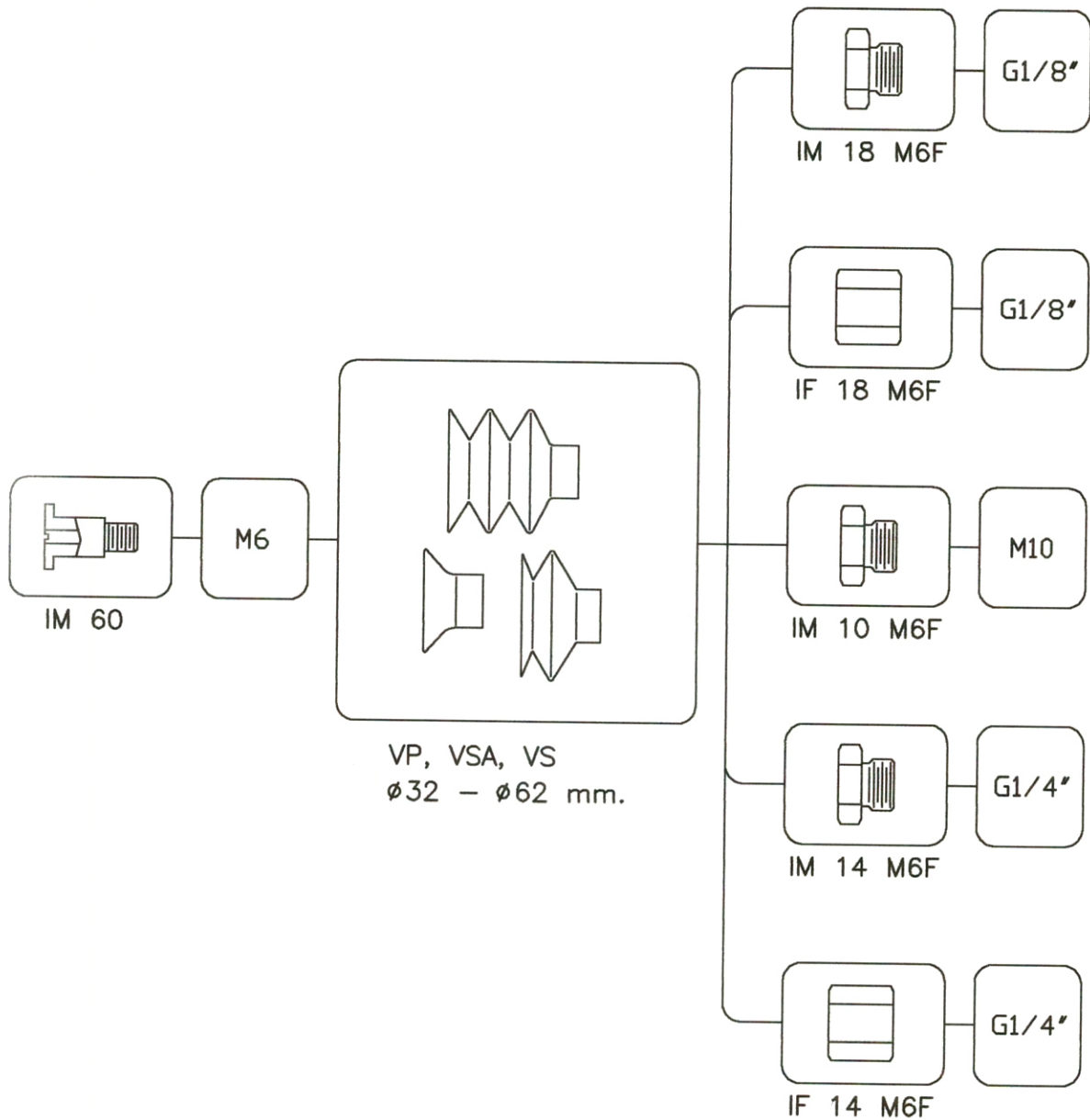
ø5 – ø30 mm. diameter



# BIOMEDIC

P.O.B 632 KYRIAT BYALIK, ISRAEL 27000  
TEL.972-4-8719475 FAX.972-4-8712517

INSTALLATION DIAGRAM  
 BIOMEDIC VP,VSA and VS  
 $\phi 32 - \phi 62$  mm. diameter



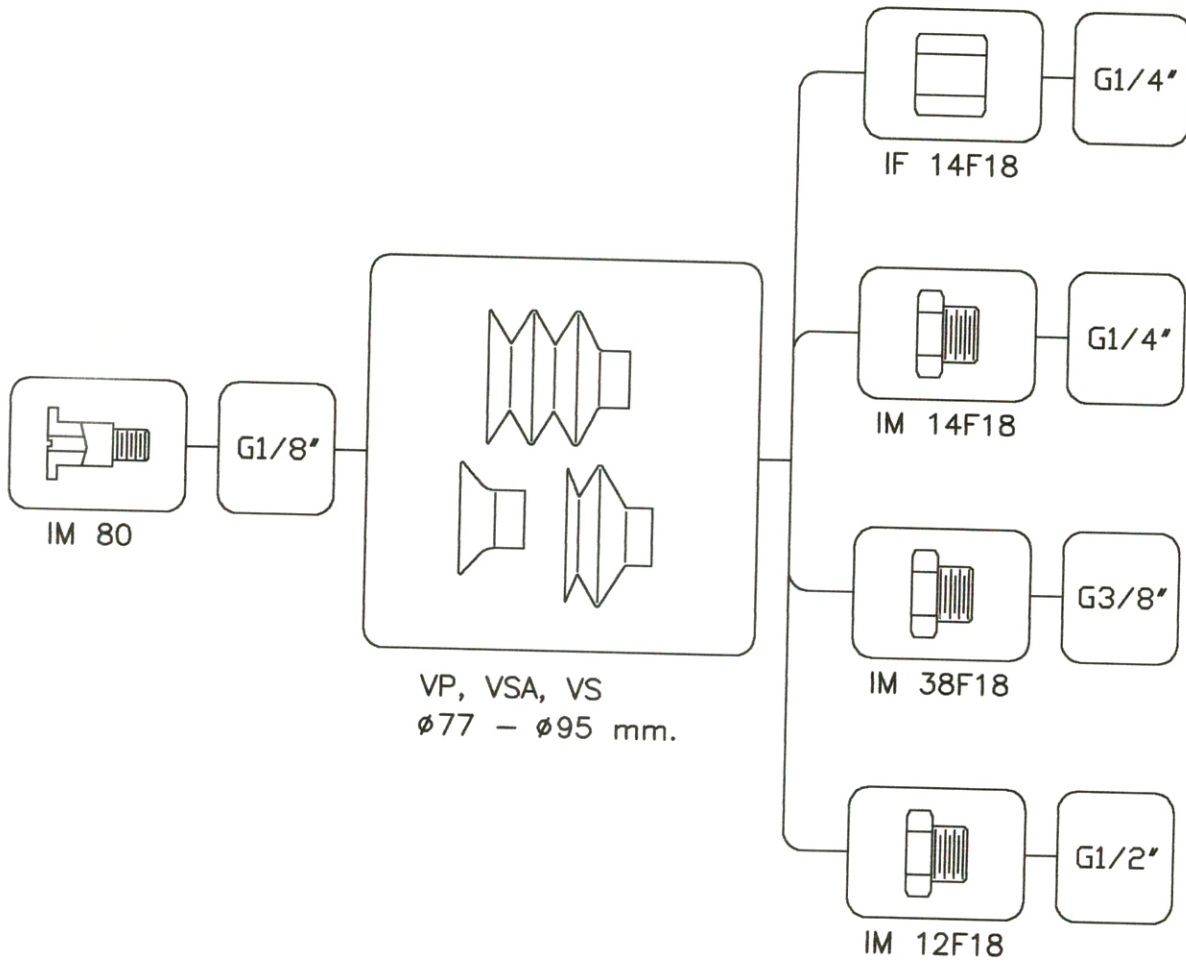
**BIOMEDIC**

P.O.B 632 KYRIAT BYALIK, ISRAEL 27000  
 TEL.972-4-8719475 FAX.972-4-8712517

# INSTALLATION DIAGRAM

BIOMEDIC VP,VSA and VS

ø77 - ø95 mm. diameter

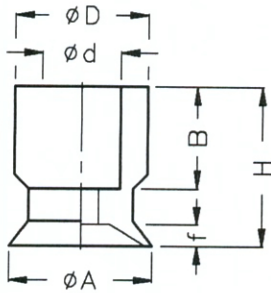


# BIOMEDIC

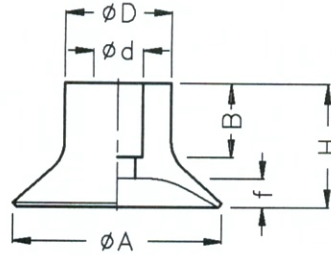
P.O.B 632 KYRIAT BYALIK, ISRAEL 27000  
TEL.972-4-8719475 FAX.972-4-8712517

# FLAT SUCTION CUPS $\phi 5.5 - \phi 300\text{mm}$

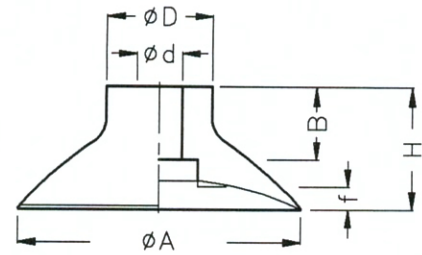
VP 5-10



VP 15-25



VP 30-95

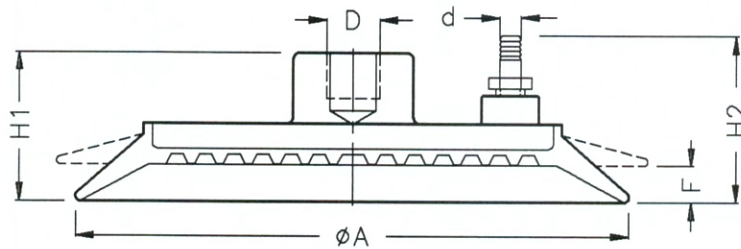


Model	$\phi A$ mm.	H mm.	$\phi d$ mm.	$\phi D$ mm.	f mm.	B mm.	Weight gr.	Int.volume $\text{cm}^3$	F Kg
VP 5	5.5	9	4	7	1	7	0.3	0.03	0.11
VP 8	7.5	10	5	9	1.3	7	0.4	0.04	0.15
VP 10	10	10.5	5	9	1.5	7	0.5	0.05	0.35
VP 15	15	11	5	9	2.25	7	0.7	0.18	0.8
VP 20	20	11.5	4.7	10	3	7	1.2	0.44	1.4
VP 25	25	12	4.5	10	3	7	1.4	0.7	2.2
VP 30	30	19	8	16	2.5	13	4	2.9	3.2
VP 35	36	20	8	16	3	13	5.6	2.7	4.6
VP 40	40	20	8	16	3	13	9	4	5.7
VP 50	52	22	8	18	4.5	13	14	7	9.6
VP 60	60	22	8	18	4.5	13	16	7.3	12.7
VP 75	75	32	12	23	4.5	20	33	16	19.8
VP 95	95	38	12	25	12	20	50	47.5	31.9

NOTE:

1. Rubber dimensions can be changed  $\pm 1\%$
2. Materials for VP series: NBR (Nitrile) and SI (Silicon)
3. Force calculated at vacuum level  $-0.9 \text{ ATM}$  and safety 2.
4. Cups connectors on separate page.

VC 75-119.2



Model	$\phi A$ mm.	F mm.	H1 mm.	H2 mm.	$\phi d$ mm.	$\phi D$ mm.	Weight gr.	F Kg
VC 75	190	9.5	58	71	10.5	M22	1000	128
VC 95	250	16	65	85	10.5	M22	1200	220
VC 119.2	310	13	64	80	10.5	M22	2470	339

NOTE:

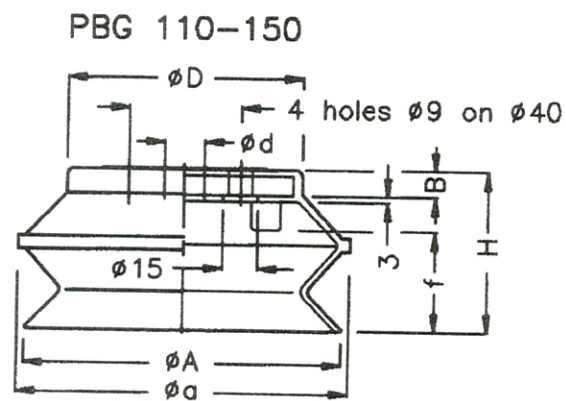
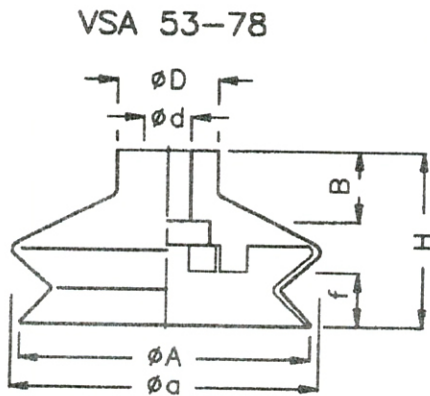
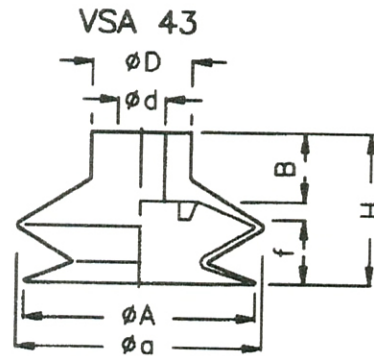
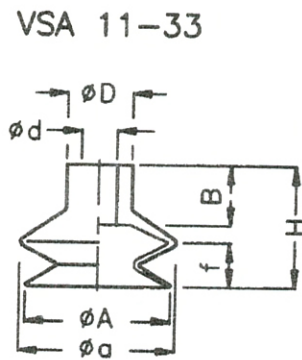
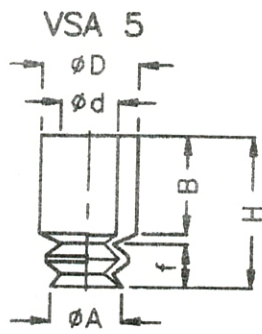
1. Material for VC series: Neoprene 35 shore.
2. Force calculated at vacuum lever  $-0.9 \text{ ATM}$  and safety 2.

# BIOMEDIC

P.O.B 632 KYRIAT BYALIK, ISRAEL 27000  
TEL.972-4-8719475 FAX.972-4-8712517



BELLOW SUCTION CUPS  $\phi 5 - \phi 150\text{mm}$   
 1-1/2 CONVOLUTIONS



Model	$\phi A$ mm.	$\phi a$ mm.	$\phi d$ mm.	$\phi D$ mm.	f mm.	B mm.	H mm.	Weight gr.	Int.volume $\text{cm}^3$	F Kg
VSA 5	5.5	6	4	7	2	7	11	0.5	0.04	0.11
VSA 11	11	12.2	5	10	5.5	9	16	0.7	0.225	0.43
VSA 14	13	14	5	10	5	9	16	1	0.42	0.6
VSA 16	16	17.3	5	10	8.5	9	19	1.2	0.75	0.9
VSA 20	19	20	4.7	10	5	9	15.5	1.6	1.15	1.3
VSA 22	22	24	4.7	10	8	9	19	1.8	1.4	1.7
VSA 25	24	25	5	10	12	9	23	2.8	3.15	2
VSA 33	33	36.2	8	18	11	13	27.5	6.4	4.75	3.9
VSA 43	43	46	8	18	12.5	13	28	10	9.25	6.5
VSA 53	53	59	8	18	15	13	34	15	26.25	9.9
VSA 63	63	67	8	18	15	13	34	15	39	13.2
VSA 78	78	83	12	25	14	20	46.8	42	76	21.5
PBG 110	110	121.5	14	85	32.5	9	55	320	280	42.7
PBG 150	150	166	13	120	39.5	11	75.5	820	640	79.5

NOTE:

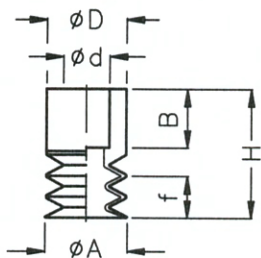
1. Rubber dimensions can be changed  $\pm 1\%$
2. Materials for VSA and PBG series: NBR (Nitrile) and SI (Silicon)
3. Force calculated at vacuum level  $-0.9 \text{ ATM}$  and safety 2.
4. Cups connectors on separate page.

**BIOMEDIC**

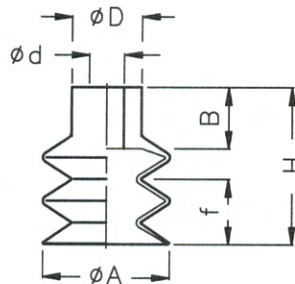
P.O.B 632 KYRIAT BYALIK, ISRAEL 27000  
 TEL.972-4-8719475 FAX.972-4-8712517

BELLOW SUCTION CUPS  $\phi 5 - \phi 88\text{mm}$   
 2-1/2 CONVOLUTIONS  
 $\phi 25\text{mm}$  3-1/2 CONVOLUTIONS

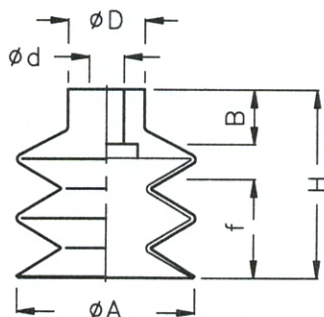
VS 5-9



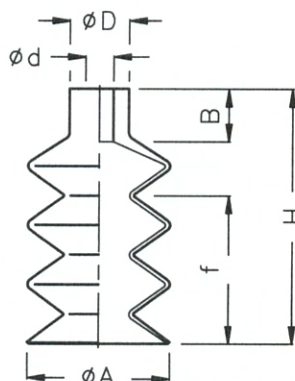
VS 14-25



VS 32-88



VSB 25



Model	$\phi A$ mm.	$\phi d$ mm.	$\phi D$ mm.	f mm.	B mm.	H mm.	Weight gr.	Int.volume $\text{cm}^3$	F Kg
VS 5	5	4	7	3	8	13.5	0.5	0.04	0.09
VS 6	5.5	4	7	3	7	13	0.5	0.04	0.09
VS 7	7	5	9	4	5.5	14	0.5	0.0425	0.18
VS 9	9	5	9	3	7	15	0.6	0.15	0.27
VS 12	12	5	10	7	9	21	1.1	0.54	0.4
VS 14	14	5	10	10	9	23	1.4	0.975	0.7
VS 18	17.5	5	10	10	9	23	1.8	1.35	1.1
VS 20	20	4.7	10	10	9	23	2.2	2	1.4
VS 25	25	5	10	20	9	34	3.8	5.4	2.2
VS 32	32	8	18	14.5	13	37.5	9.4	10	3.6
VS 42	42	8	18	22	13	46	18.5	19.5	6.3
VS 52	52	8	18	27	13	49	24.6	36	9.2
VS 62	62	8	21	31	13	55	50	72.5	13.6
VS 88	88	12	25	48.5	20	87.5	175	165	27.4
VSB 25	25	5	10	29	9	45	5	7.48	2.2

NOTE:

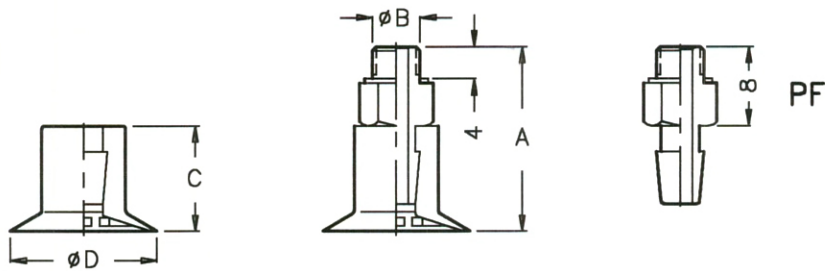
1. Rubber dimensions can be changed  $\pm 1\%$
2. Materials for VS and VSB series: NBR (Nitrile) and SI (Silicon)
3. Force calculated at vacuum level  $-0.9 \text{ ATM}$  and safety 2.
4. Cups connectors on separate page.

**BIOMEDIC**  
**VACUUM TECHNOLOGY**

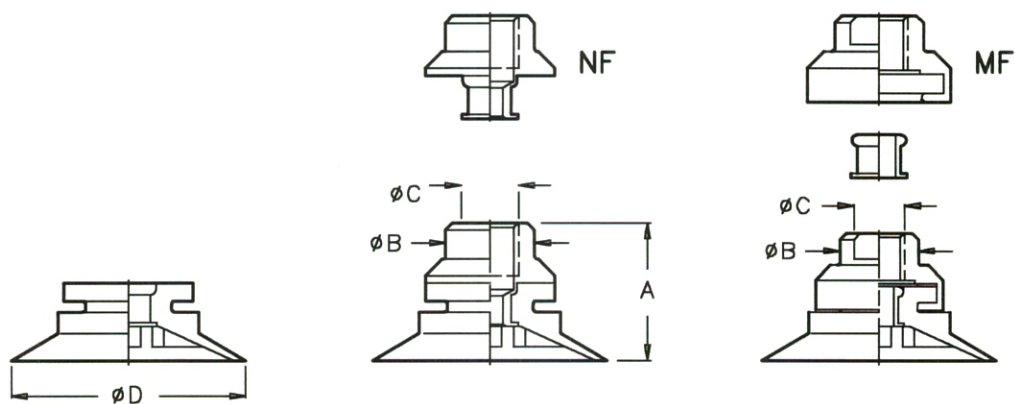
P.O.B 632 KYRIAT BYALIK, ISRAEL 2710601  
 TEL.972-4-8719475 FAX. 972-4-8712517  
 E-mail: [biomedic@netvision.net.il](mailto:biomedic@netvision.net.il)  
 Web site: <http://www.biomedicpumps.com>

# FLAT SUCTION CUPS AM, AF

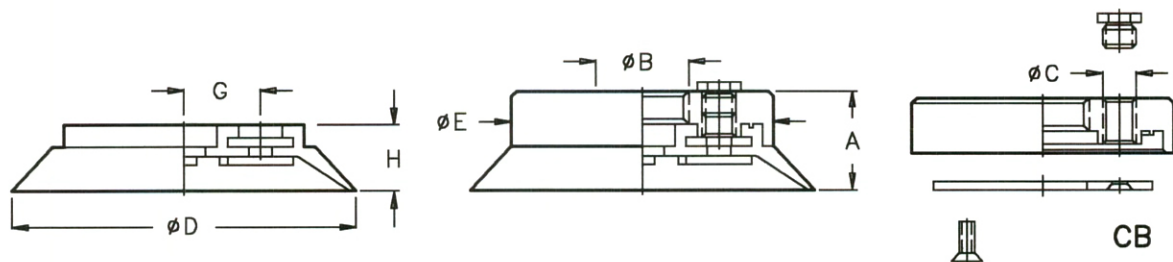
ø16.5 – ø150mm



Model	A mm.	øB mm.	C mm.	øD mm.	F kg.	PF 1pic. fitting
AM 11 40	20	M5	12	16.5	1.2	PF 11



Model	A mm.	øB	øC	øD mm.	F kg.	NF 1pic. fitting	MF 2pic. fitting
AF 20 40	15.5	G1/8"	M5	20	1.8	NF 20	MF 20
AF 25 40	16.5	G1/8"	M5	25	2.4	NF 20	MF 20
AF 30 40	17.5	G1/8"	M5	30	3.0	NF 20	MF 20
AF 40 40	21.5	15	G1/8"	40	5.1	NF 40	MF 40
AF 50 40	26	15	G1/8"	50	9.5	NF 50	MF 50



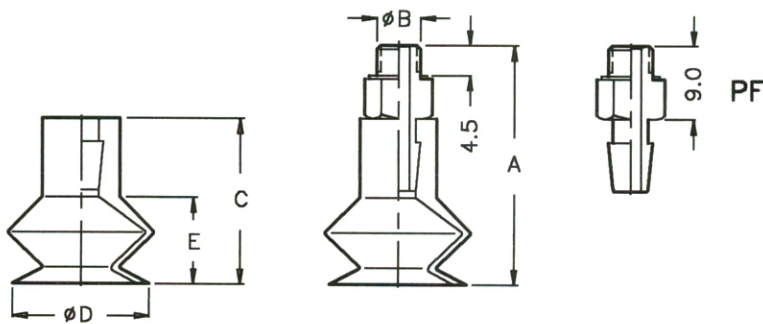
Model	A mm.	øB	øC	øD mm.	øE mm.	H mm.	G mm.	F kg.	CB 4pic. basis
AF 75 40	15	G1/2"	M5	75	60	13	17.5	22	CB 75
AF 110 40	21.2	G1/2"	G1/8"	110	85.1	20	27.5	45	CB 110
AF 150 40	25.2	G1/2"	G1/8"	150	120	26	35	75	CB 150

## NOTE:

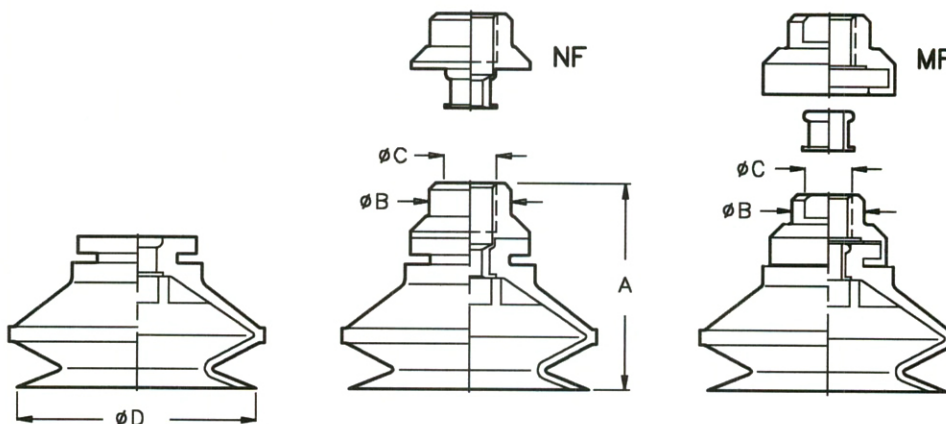
1. Materials for BM, BF – NE (Neopren) or SI (Silicon)
2. Force calculated at vacuum level -0.9 ATM and safety 2.



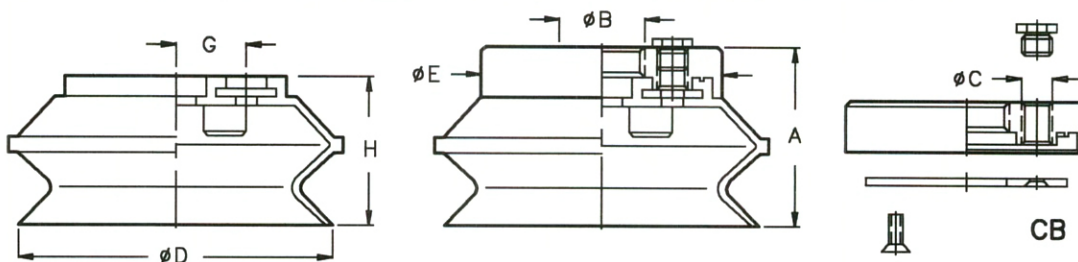
**BELLOW SUCTION CUPS BM, BF**  
**1-1/2 CONVOLUTIONS**  $\phi 11 - \phi 150\text{mm}$



Model	A mm.	$\phi B$ mm.	C mm.	$\phi D$ mm.	F kg.	PF 1pic. fitting
BM 11 30	26	M5	17	11	0.47	PF 11
BM 16 30	29	M5	20	16	0.75	PF 11



Model	A mm.	$\phi B$	$\phi C$	$\phi D$ mm.	F kg.	NF 1pic. fitting	MF 2pic. fitting
BF 20 30	26.5	G1/8"	M5	20	1.5	NF 20	MF 20
BF 30 30	33.5	G1/8"	M5	30	2.6	NF 40	MF 40
BF 40 30	36.5	15	G1/8"	40	4.9	NF 40	MF 40
BF 50 30	43.5	15	G1/8"	50	8.5	NF 50	MF 50



Model	A mm.	$\phi B$	$\phi C$	$\phi D$ mm.	$\phi E$ mm.	H mm.	G mm.	F kg.	CB 4pic. basis
BF 75 30	44	G1/2"	M5	75	60	37	17.5	22	CB 75
BF 110 30	61.2	G1/2"	G1/8"	110	85.1	54	27.5	45	CB 110
BF 150 30	77.2	G1/2"	G1/8"	150	120	71	35	91	CB 150

**NOTE:**

1. Materials for BM, BF - NE (Neopren) or SI (Silicon)
2. Force calculated at vacuum level -0.9 ATM and safety 2.

**BIOMEDIC**

P.O.B 632 KYRIAT BYALIK, ISRAEL 27000  
 TEL.972-4-8719475 FAX.972-4-8712517