

# Preparation unit—GT Series(Short PC bowl type)



## GTC, GTFC, GTFR, GTF, GTL Series



### Product feature

1. The short PC bowl type is upgraded GA200 series. Besides its speciality are the same as GA200 series, it's below speciality:
2. The bowl is made of PC and is short which allows for litter space application.
3. Two drain types are available: semi-auto drain, and automatic drain.

### Ordering code

<b>GTC200</b>	<b>08</b>	<b>S</b>	<input type="checkbox"/>	<b>W</b>	<b>T</b>	<b>K</b>	
<b>GTFC200</b>	<b>08</b>	<b>S</b>	<input type="checkbox"/>	<b>W</b>	<b>T</b>	<b>K</b>	
<b>GTFR200</b>	<b>08</b>	<b>S</b>	<input type="checkbox"/>	<input type="checkbox"/>	<b>W</b>	<b>T</b>	<b>K</b>
①	②	③	④	⑤	⑥	⑦	⑧

① Model	② Port size	③ Type code	④ Accessories
GTC200C: GT200 Series F.R.L unit (Short PC bowl type)	06: 1/8" 08: 1/4"	S: Standard L: Lower pressure [Note1]	No this code
GTFC200C: GT200 Series F.R.L unit (Short PC bowl type)			Blank: Bracket J: No bracket
GTFR200C: GT200 Series filter-regulator (Short PC bowl type)			

⑤ Pressure gauge	⑥ Filtering grade	⑦ Thread type	⑧ Reflux valve
Blank: Pressure gauge N: No pressure gauge	Blank: 40µm W: 5µm	T: NPT (Scale: bar/psi)	Blank: Without reflux valve K: With reflux valve [Note2]

[Note1] The maximum work pressure of lower pressure type is 58psi(0.4MPa);

[Note2] Please refer to page 218 for details of reflux valve.

### GTF200 08 W T

①      ②      ③      ④      ⑤

① Model	② Port size	③ Accessories	④ Filtering grade	⑤ Thread type
GTF200: GT200 Series Filter (Short PC bowl type)	06: 1/8" 08: 1/4"	Blank: Bracket J: No bracket	Blank: 40µm W: 5µm	T: NPT

### GTL200 08 T

①      ②      ③      ④

① Model	② Port size	③ Accessories	④ Thread type
GTL200: GT200 Series Lubricator (Short PC bowl type)	06: 1/8" 08: 1/4"	Blank: Bracket J: No bracket	T: NPT

# Preparation unit—GT Series(Short PC bowl type)

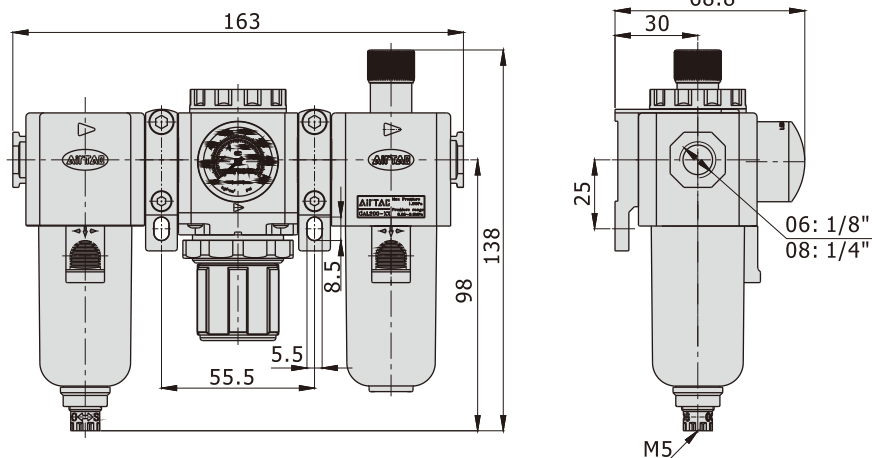


## GTC, GTFC, GTFR, GTF, GTL Series

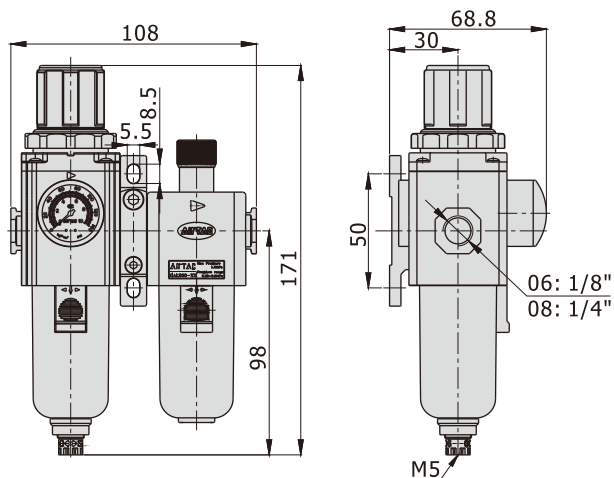
### Dimensions

**GTC200**

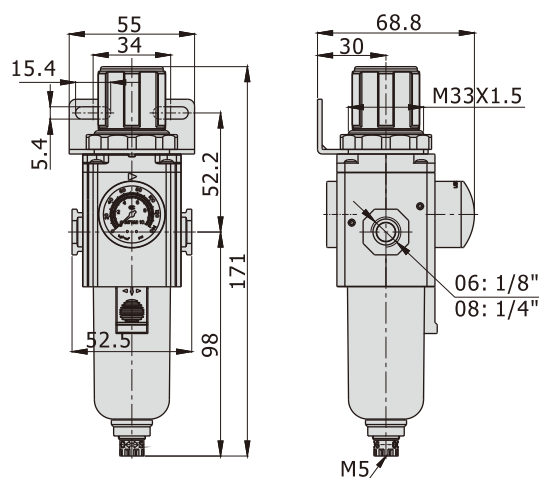
[Unit: mm]



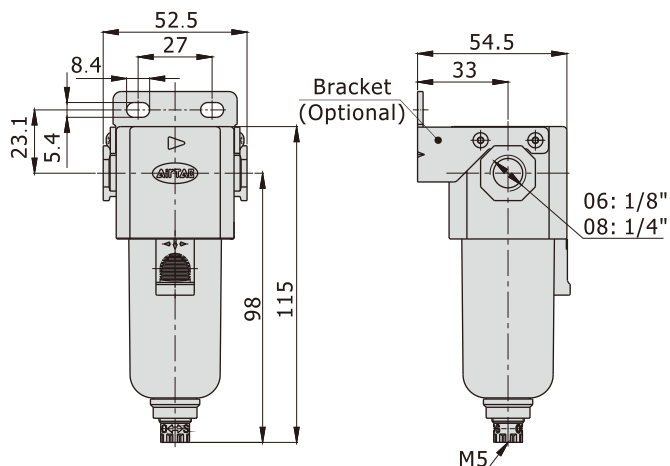
**GTFC200**



**GTFR200**



**GTF200**



**GTL200**

