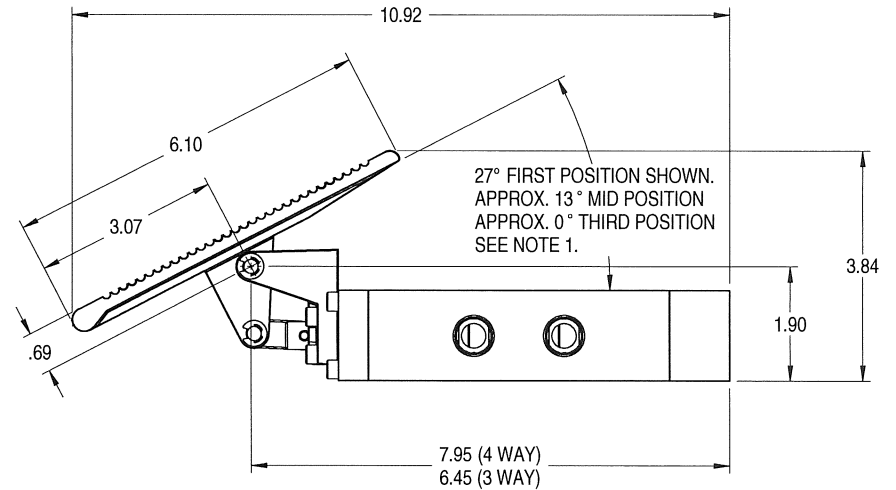
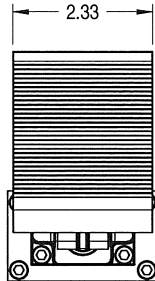
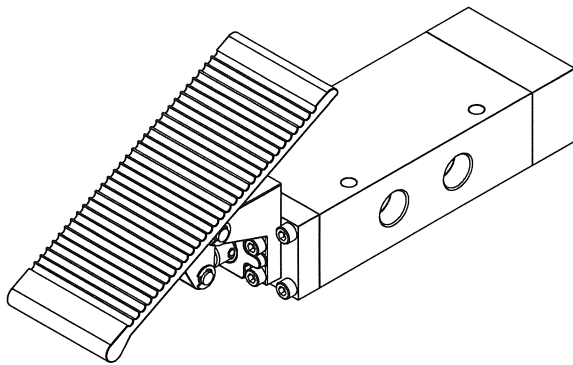
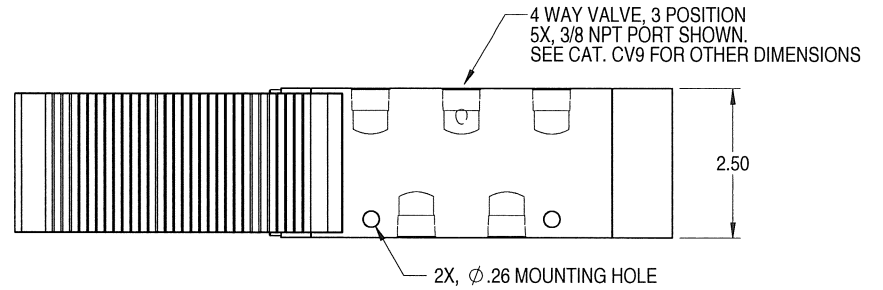


P/N

**FABCO FOOT TREADLE OPERATED DIRECTIONAL CONTROL VALVE  
MODEL & PRICES (EFFECTIVE DATE AUG. 1, 2011)**

MODEL	3/8 NPT	1/2 NPT	1/2 NPT HIGH FLOW
2 POSITION 3 WAY SPRING RETURN	383-FTS \$181.30	123-FTS \$181.30	123B-FTS \$213.15
2 POSITION 4 WAY SPRING RETURN	38-FTS \$209.05	12-FTS \$209.05	12B-FTS \$262.15
3 POSITION 4 WAY SPRING CENTERED TYPE B SPOOL	38-FTSB \$227.50	12-FTSB \$227.50	N/A
3 POSITION 4 WAY SPRING CENTERED TYPE F SPOOL	38-FTSF \$227.50	12-FTSF \$227.50	N/A



NOTE:  
2 POSITION VALVES USE FIRST & THIRD POSITION (27 ° RANGE).

**FABCO-AIR**  
PHONE: (352) 373-3578  
FAX: (352) 375-8024  
E-MAIL: [fabco@fabco-air.com](mailto:fabco@fabco-air.com)

TITLE: FOOT TREADLE VALVE  
FOR: FABCO POWER VALVE

MATERIAL:

FILE NAME: 12-FTSB-OL-M-P		
SIZE: <b>B</b>	SCALE: 1:2	DATE: 8/4/2011
DRAWN BY: MIKE SPITZE		